

4

3

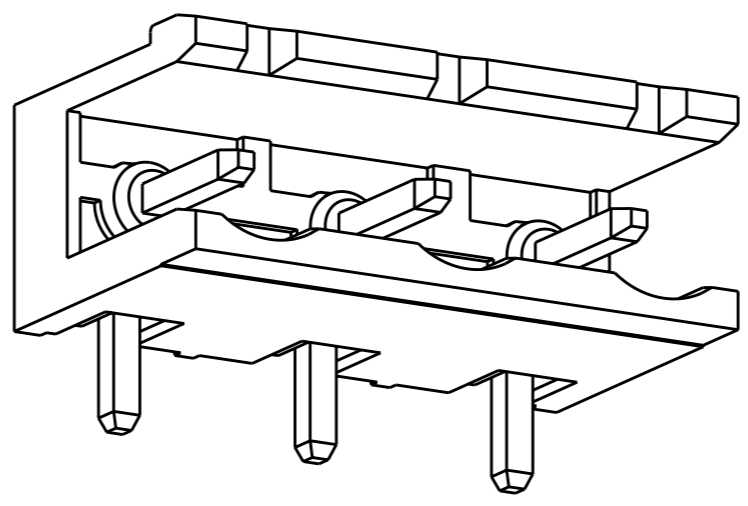
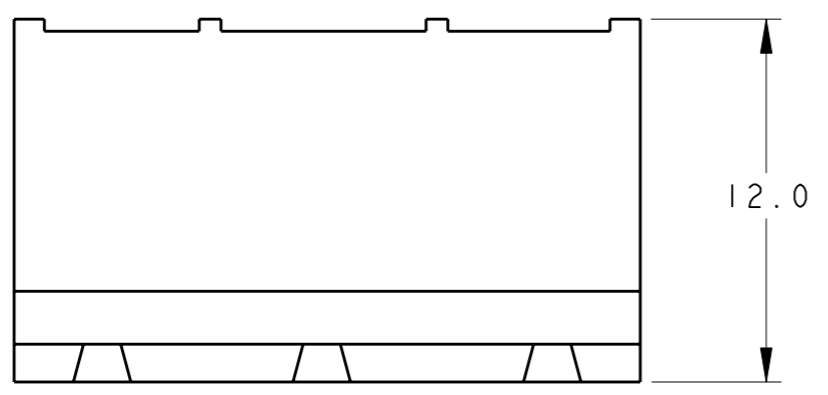
2

1

THIS DRAWING IS UNPUBLISHED. RELEASED FOR PUBLICATION 20
 © COPYRIGHT 20 Tyco Electronics AMP GmbH ALL RIGHTS RESERVED.

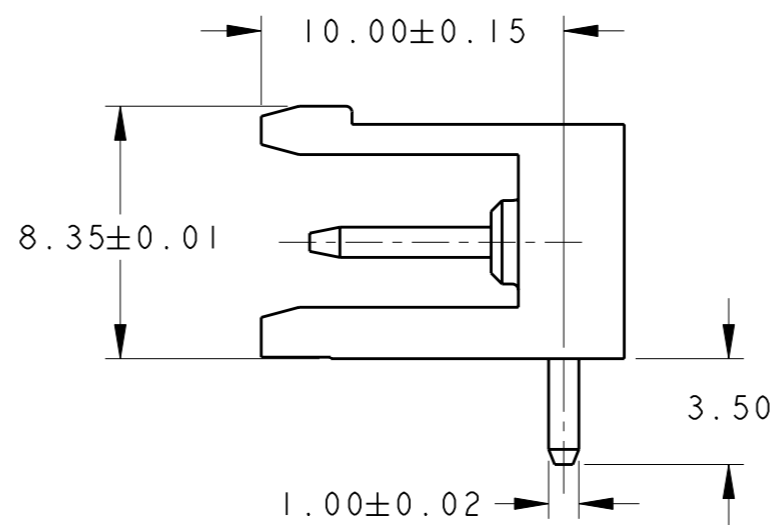
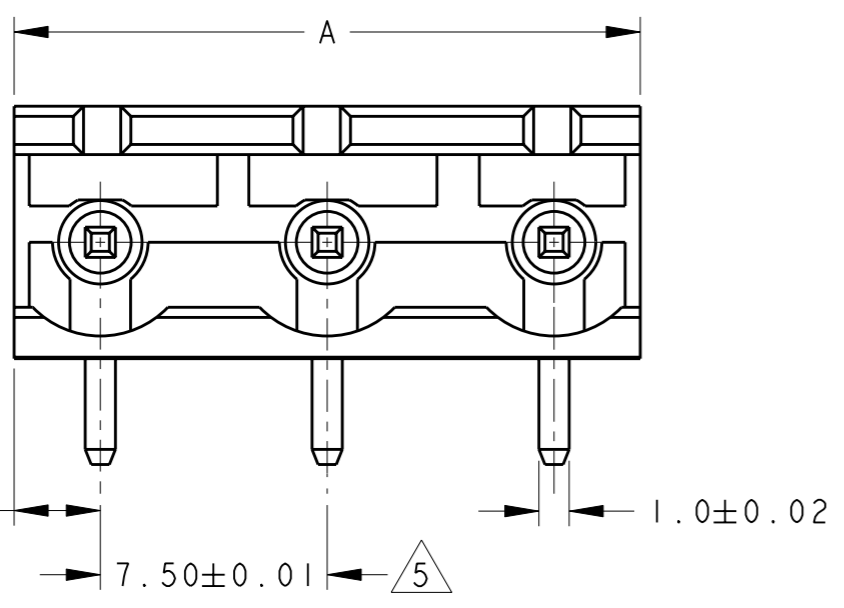
LOC FT DIST 0

REVISIONS					
P	LTR	DESCRIPTION	DATE	DWN	APVD
	C1	REVISED PER ECO-12-007964	02MAY2012	KH	MS



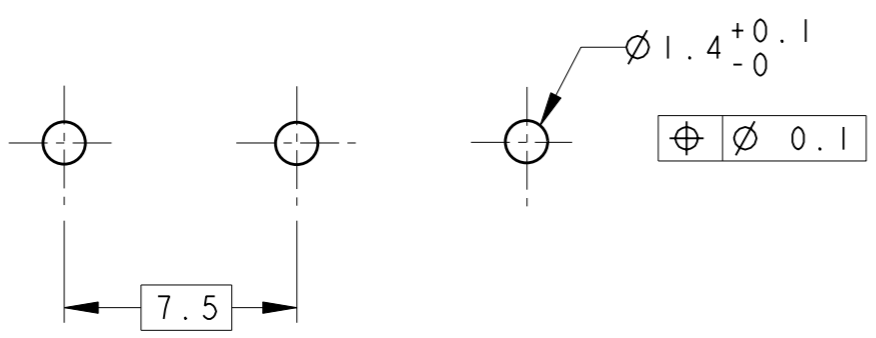
282961-3 AS SHOWN

- 1 MATERIALS AND FINISH
HOUSING: PA 6-6, UL 94-V0, COLOR GREEN.
TERMINAL: COPPER ALLOY, TIN PLATED.
- 2 SUITABLE FOR 1,6-2,4mm PC BOARD THICKNESS.
- 3 RECOGNIZED UNDER THE COMPONENT PROGRAM OF UNDERWRITERS LABORATORIES INC. FILE N° E60677.
- 4 IMQ CERTIFICATE WITH SURVEILLANCE IN CONFORMITY WITH IEC 998-1/998-2-1.
- 5 NOT CUMULATIVE TOLERANCE.



88.20	12	1-282961-2
80.70	11	1-282961-1
73.20	10	1-282961-0
65.70	9	282961-9
58.20	8	282961-8
50.70	7	282961-7
43.20	6	282961-6
35.70	5	282961-5
28.20	4	282961-4
20.70	3	282961-3
13.20	2	282961-2
DIM. A	N° OF POS.	PART NUMBER

RECOMMENDED PC BOARD LAYOUT



THIS DRAWING IS A CONTROLLED DOCUMENT.		DWN E. ZANOLINI 15NOV2001	TE Connectivity	
DIMENSIONS: mm		CHK D. BIEVENOUR 15NOV2001		
TOLERANCES UNLESS OTHERWISE SPECIFIED:		APVD D. BIEVENOUR 15NOV2001	NAME	
0 PLC ±.3		PRODUCT SPEC 108-20166	TERMINAL BLOCK HEADER ASSEMBLY, 90 DEGREE OPEN ENDS, 7.5mm PITCH	
1 PLC ±.25		APPLICATION SPEC 114-20079	SIZE A3	CAGE CODE 00779
2 PLC ±.25		WEIGHT -	DRAWING NO C-282961	RESTRICTED TO -
3 PLC ±.		MATERIAL FINISH	SCALE 4:1 SHEET 1 OF 1 REV C1	
4 PLC ±.			CUSTOMER DRAWING	
ANGLES ±.2				

单击下面可查看定价，库存，交付和生命周期等信息

[>>TE Connectivity\(泰科\)](#)