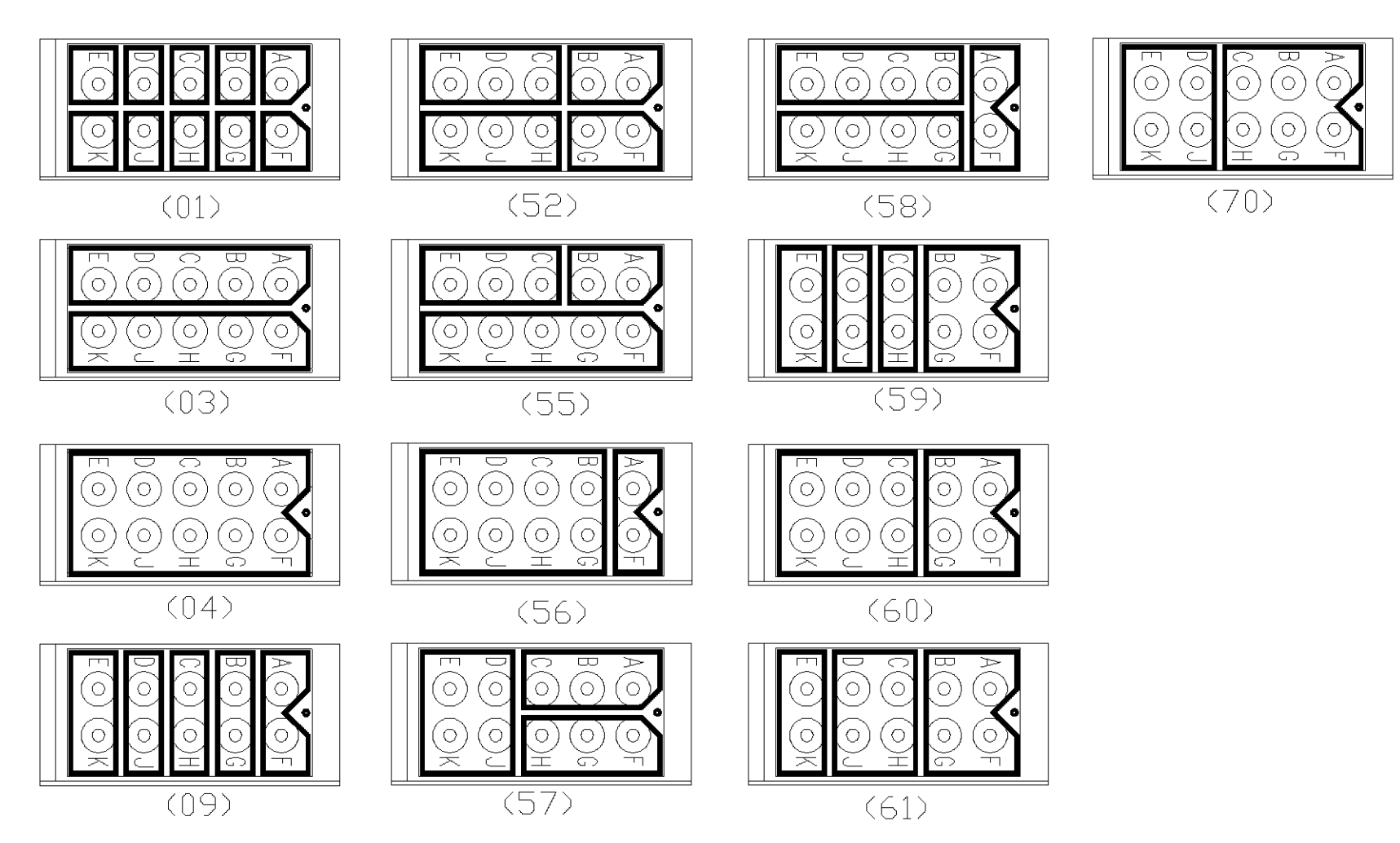
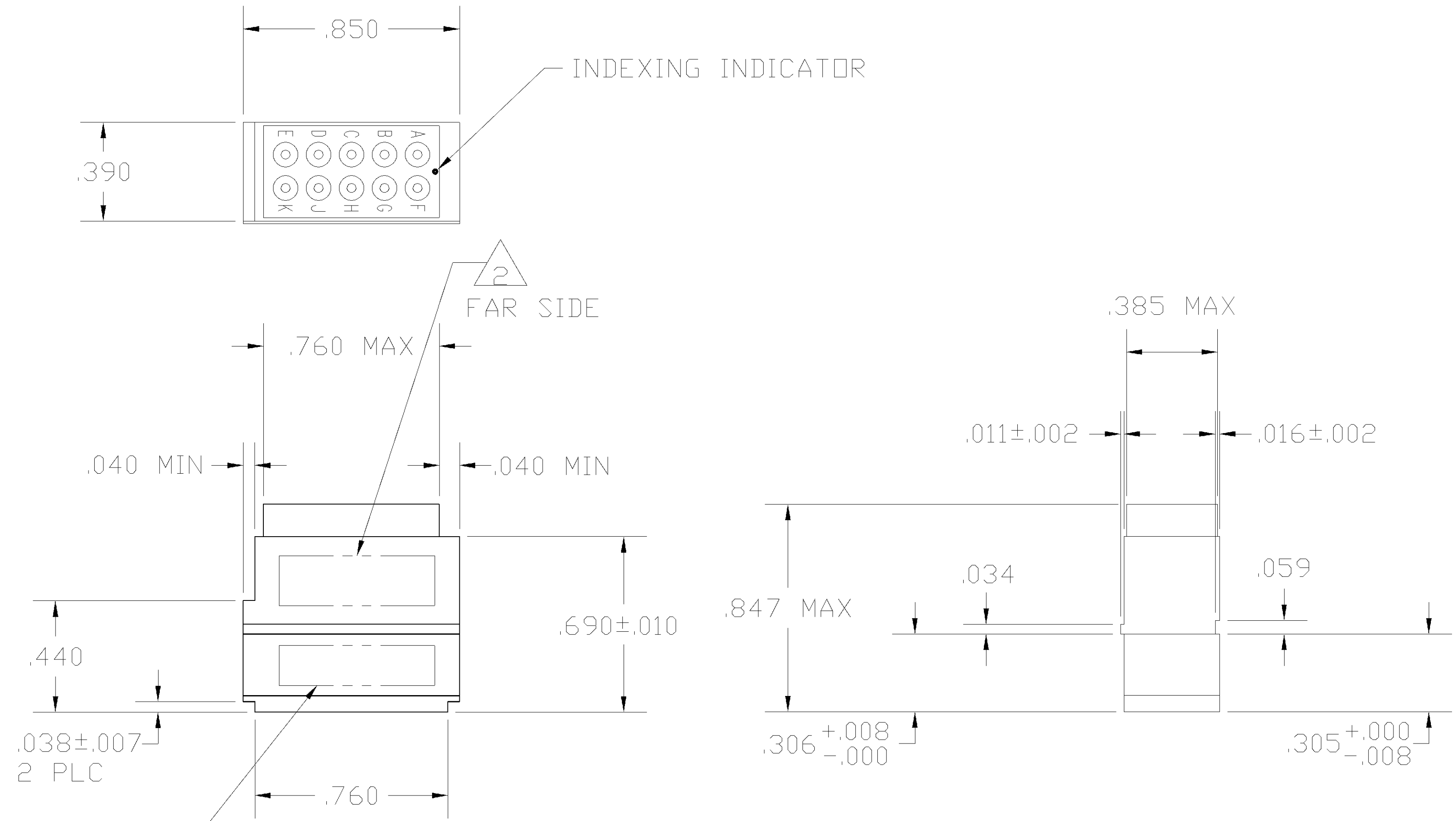


DESCRIPTION	MATERIAL	FINISH
MODULE ASSEMBLY	D.A.P. PER MIL-M14 TYPE SDG-F	COLOR: GREEN
GROMMET	FLUORSILICONE RUBBER 70/30 BLEND	COLOR: GREEN
CONTACT SOCKET	BERYLLIUM COPPER PER QQ-C-533	GOLD PLATE PER MIL-G-45204
RETAINING CLIP	BERYLLIUM COPPER PER QQ-C-533 OR STAINLESS STEEL PER QQ-S-766	NONE
CONTACTS	COPPER ALLOY PER MIL-C-39029/1	GOLD PLATE PER MIL-G-45204
SEALING PLUGS	F.E.P. PER MIL-P-19468	COLOR: RED

- 3 BUSSING ARRANGEMENT OUTLINE DENOTES INTERNAL ARRANGEMENT OF CONTACT SOCKETS.
- 2 MARK MODULE ASSEMBLY WITH CUSTOMER PART NO., MILITARY PART NO. IF REQUIRED .060 MINIMUM HIGH CHARACTERS AT APPROXIMATE AREA SHOWN.
- 1 MARK MODULE ASSEMBLY WITH "AMP", AMP PART NO. AND DATE CODE .060 MINIMUM HIGH CHARACTERS AT APPROXIMATE AREA SHOWN.

LOC	DIST	REV	DATE	BY	APPD
DF	AO	A	1-02	CT	DM



BUSSING ARRANGEMENTS 3

ST257T20M				X					X	X	4-592625-3
ST257T20L					X				X	X	4-592625-2
ST257T20K						X			X	X	4-592625-1
ST257T20G		X							X	X	4-592625-0
ST257T20J								X	X	X	3-592625-9
ST257T20H								X	X	X	3-592625-8
ST257T20N								X	X	X	3-592625-7
37210-2	X								X	X	3-592625-6
37210-1		X							X	X	3-592625-5
MRTB20E60		X									3-592625-4
MRTB20E56					X						3-592625-3
MRTB20E55						X					3-592625-2
MRTB20E52							X				3-592625-1
MRTB20E09								X			3-592625-0
MRTB20E04									X		2-592625-9
MRTB20E03										X	2-592625-8
MRTB20E57					X						2-592625-7
	X										2-592625-6
	X								X	X	2-592625-5
		X									2-592625-4
	X								X	X	2-592625-3
	X								X	X	2-592625-2
538121-28											2-592625-1
M81714/2-AB3			X						X	X	2-592625-0
				X					X	X	1-592625-9
					X				X	X	1-592625-8
538121-29									X	X	1-592625-7
M81714/2-AC1					X				X	X	1-592625-6
538121-27						X			X	X	1-592625-5
M81714/2-AB2							X		X	X	1-592625-4
538121-30								X	X	X	1-592625-3
M81714/2-AC2								X	X	X	1-592625-2
538121-31									X	X	1-592625-1
M81714/2-AD1									X	X	1-592625-0
538121-32									X	X	592625-9
M81714/2-AE1									X	X	592625-8
538121-25									X	X	592625-7
M81714/2-AA1									X	X	592625-6
									X	X	592625-5
M81714/2-AB1									X	X	592625-4
									X	X	592625-3
									X	X	592625-2
									X	X	592625-1
MARKING											
BUSSING ARRANGEMENTS	70616059585756555209040301										
SEALING PLUG QTY 2											
CONTACTS QTY 11											
PART NO.											

THIS DRAWING IS A CONTROLLED DOCUMENT.

31 JAN 2002
C. C. THOMAS
D. MILLER
D. MILLER

Tyco Electronics Corporation
Harrisburg, Pa. 17105-3608

FEED-BACK MODULE ASSY, SIZE 20, TJ

SIZE: A1 CAGE CODE: 00779 DRAWING NO: 592625

SCALE: NTS SHEET: 1 OF 1 REV: A

单击下面可查看定价，库存，交付和生命周期等信息

[>>TE Connectivity\(泰科\)](#)