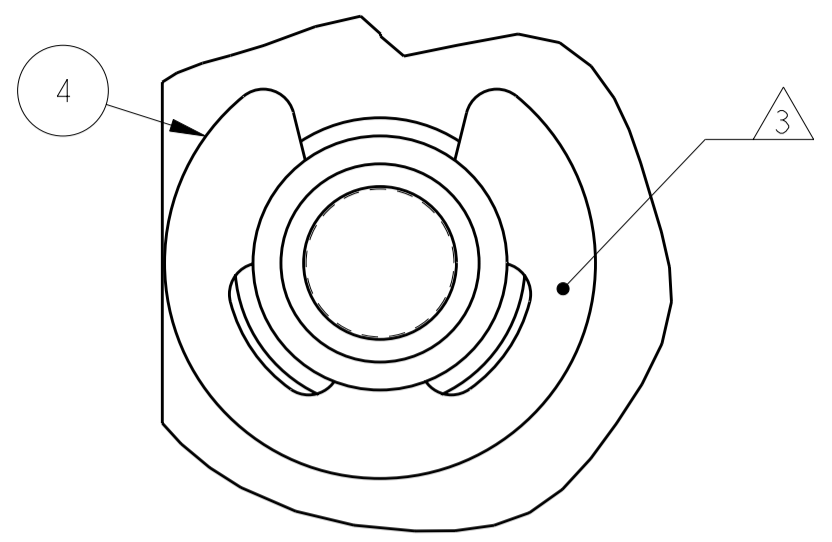
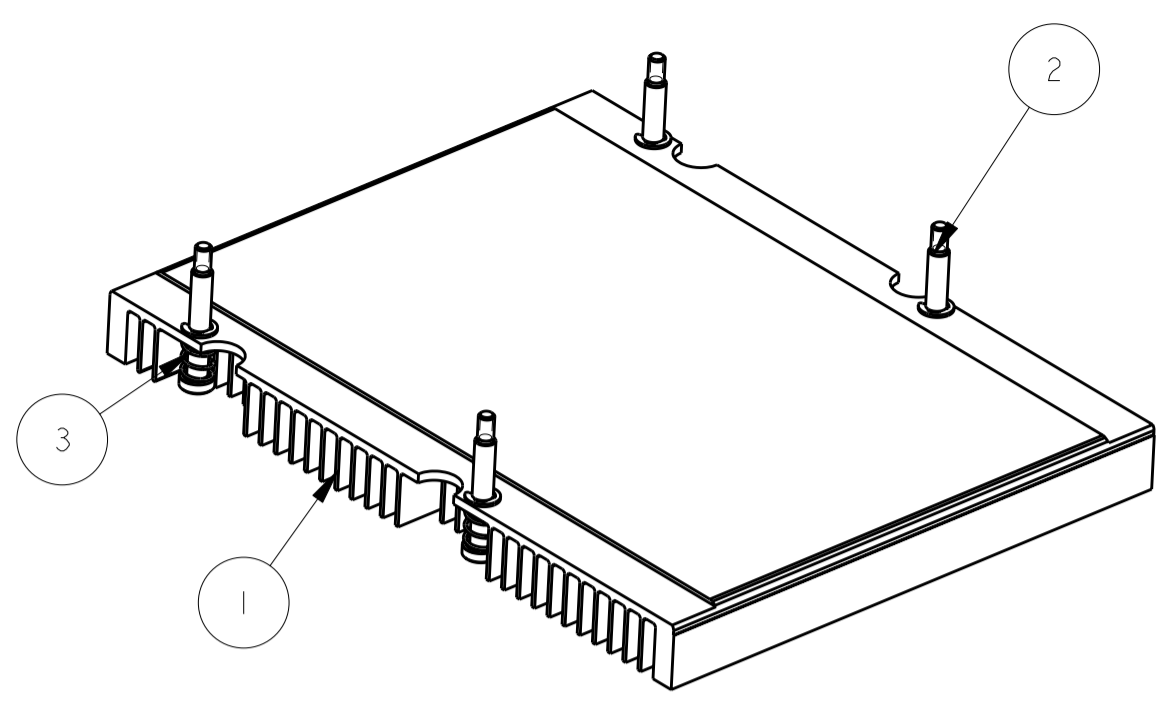


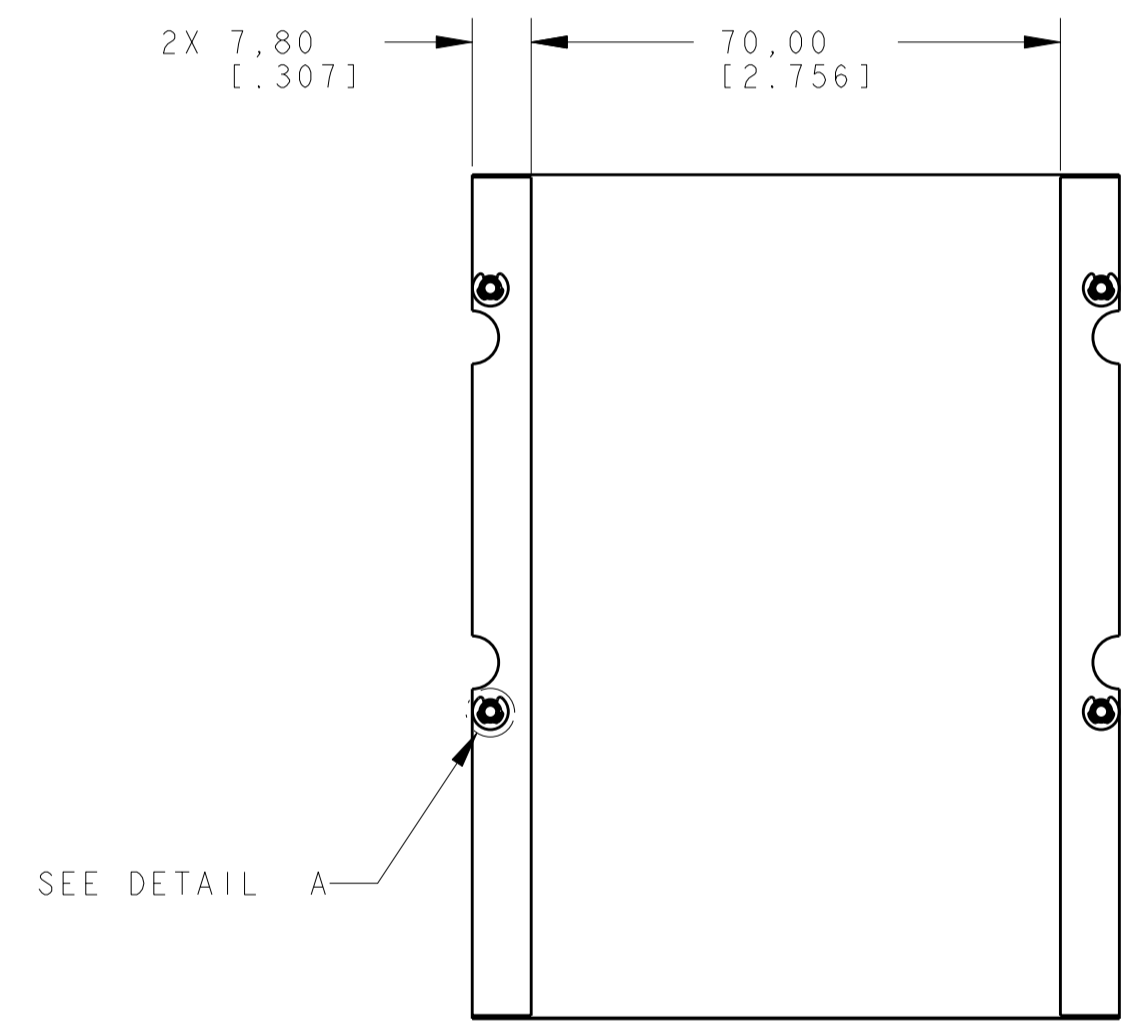
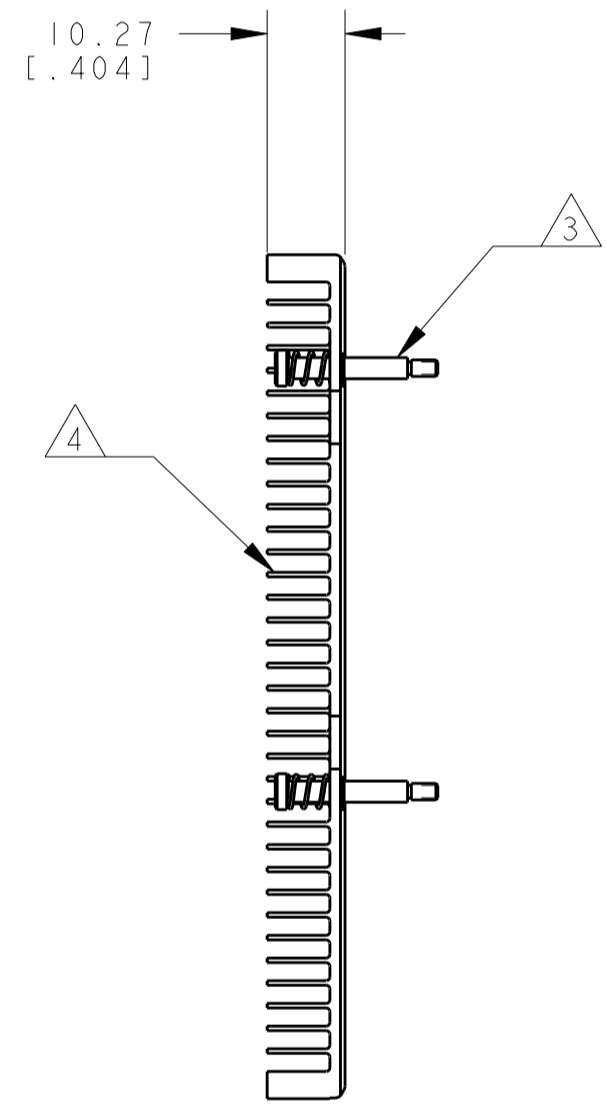
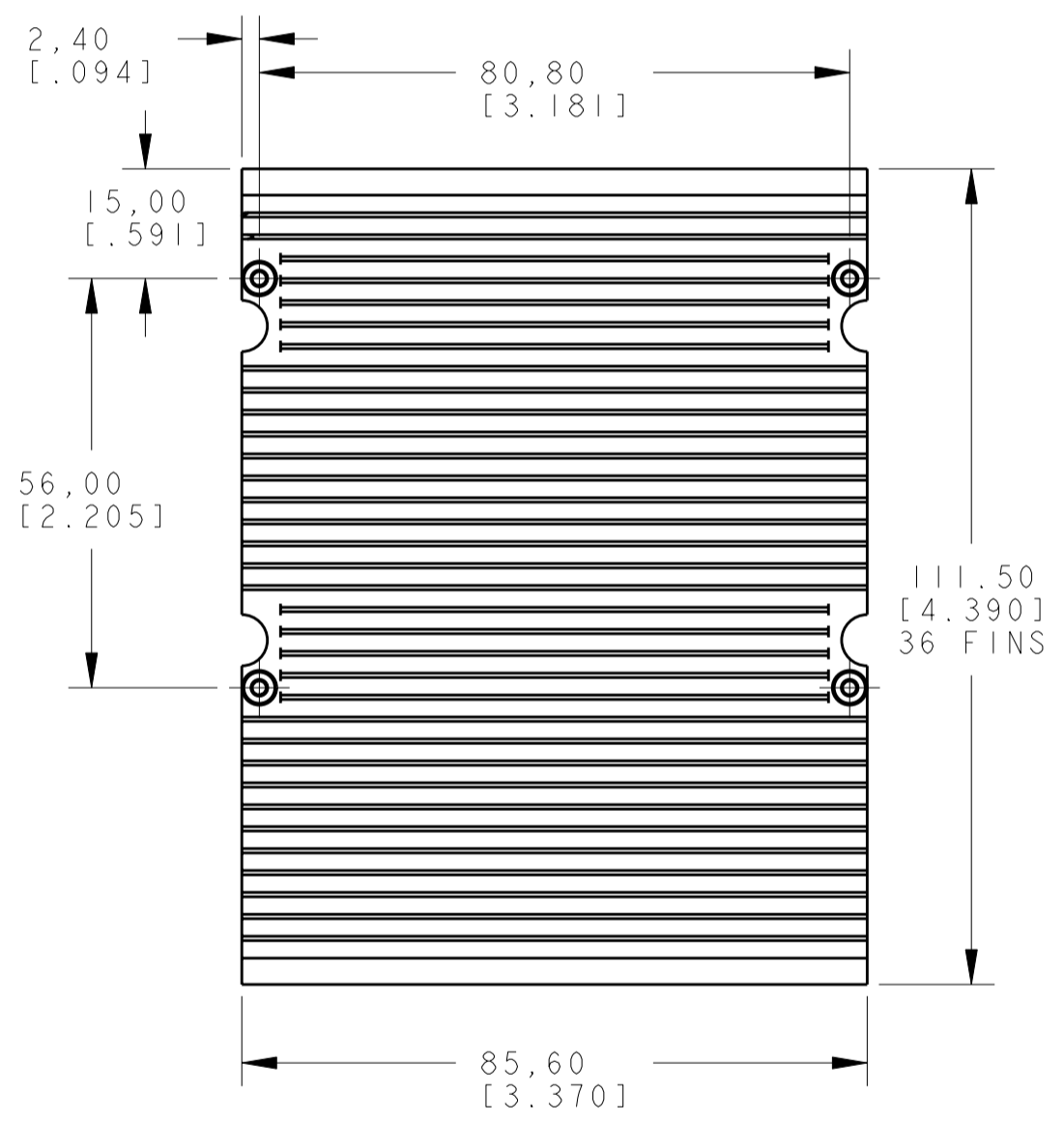
LOC	DIST	REVISIONS			
P	LTR	DESCRIPTION	DATE	DWN	APVD
C2		REVISED PER ECO-11-004587	11MAR2011	RK	HMR
D		REVISED ECR-11-020698	25OCT2011	C.D	C.W



DETAIL A
SCALE 12.000

- 1 AS SHOWN

- NOTES: UNLESS OTHERWISE SPECIFIED:
- ① HEATSINK MATERIAL: ALUMINUM ALLOY
 - ② FINISH: ANNOXIDIZED
 - ③ 2-56 SHOULDER BOLT AND SPRING PRE-ASSEMBLED AND HELD IN PLACE WITH CLIP
 - ④ FULL ROUND PERMITTED ON TOP OF HEATSINK FINS



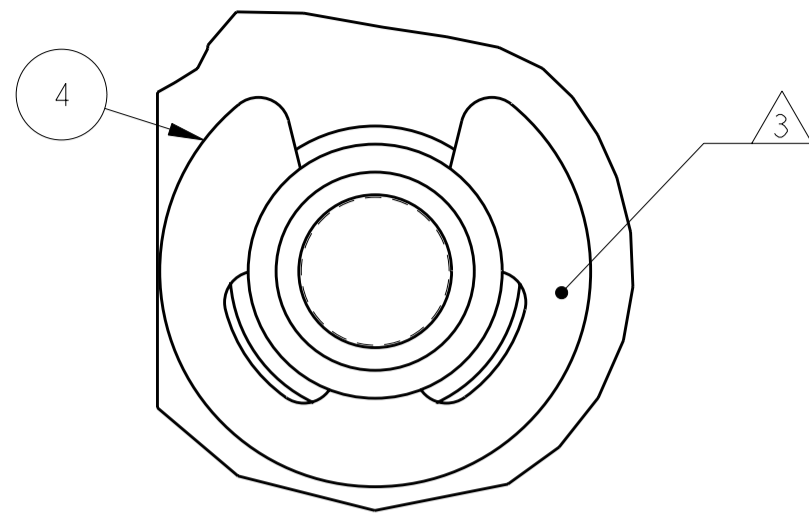
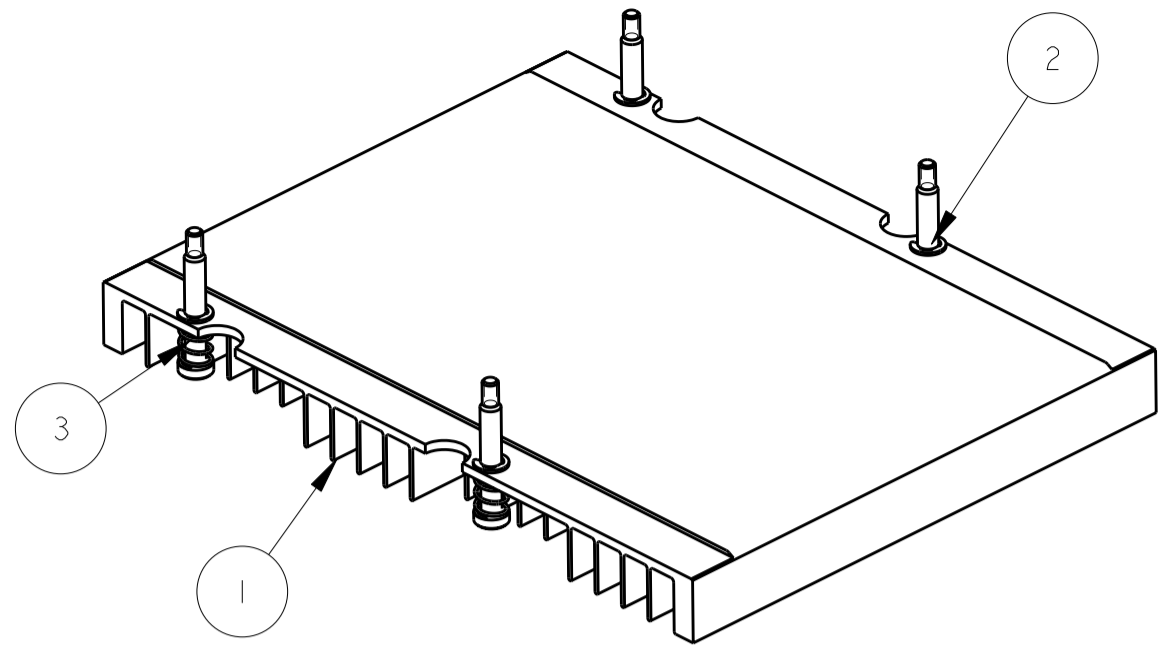
SEE DETAIL A

QTY	UNIT	DESCRIPTION	ITEM NO.
4	4	E-CLIP	4
4	4	SPRING	3
4	4	2-56 SHOULDER SCREW	2
1	-	HEAT SINK (22 FINS)	1
-	1	HEAT SINK (36 FINS)	
-2	-1	DESCRIPTION	ITEM NO.

THIS DRAWING IS A CONTROLLED DOCUMENT.		DWN BM 3-5-09	TE Connectivity	
DIMENSIONS: mm (inch)		CHK B. STRATTON 3-5-09		
TOLERANCES UNLESS OTHERWISE SPECIFIED:		APVD J. FARY 5-11-09	NAME HEAT SINK ASSEMBLY 100 GIG PLUGGABLE	
0 PLC ±	1 PLC ±0.5	PRODUCT SPEC	SIZE	CAGE CODE
2 PLC ±0.25	3 PLC ±0.125	APPLICATION SPEC	A20779	C-1963856
4 PLC ±0.0001	ANGLES ±°	WEIGHT	SCALE	SHEET
FINISH		CUSTOMER DRAWING	1.000	1 OF 2

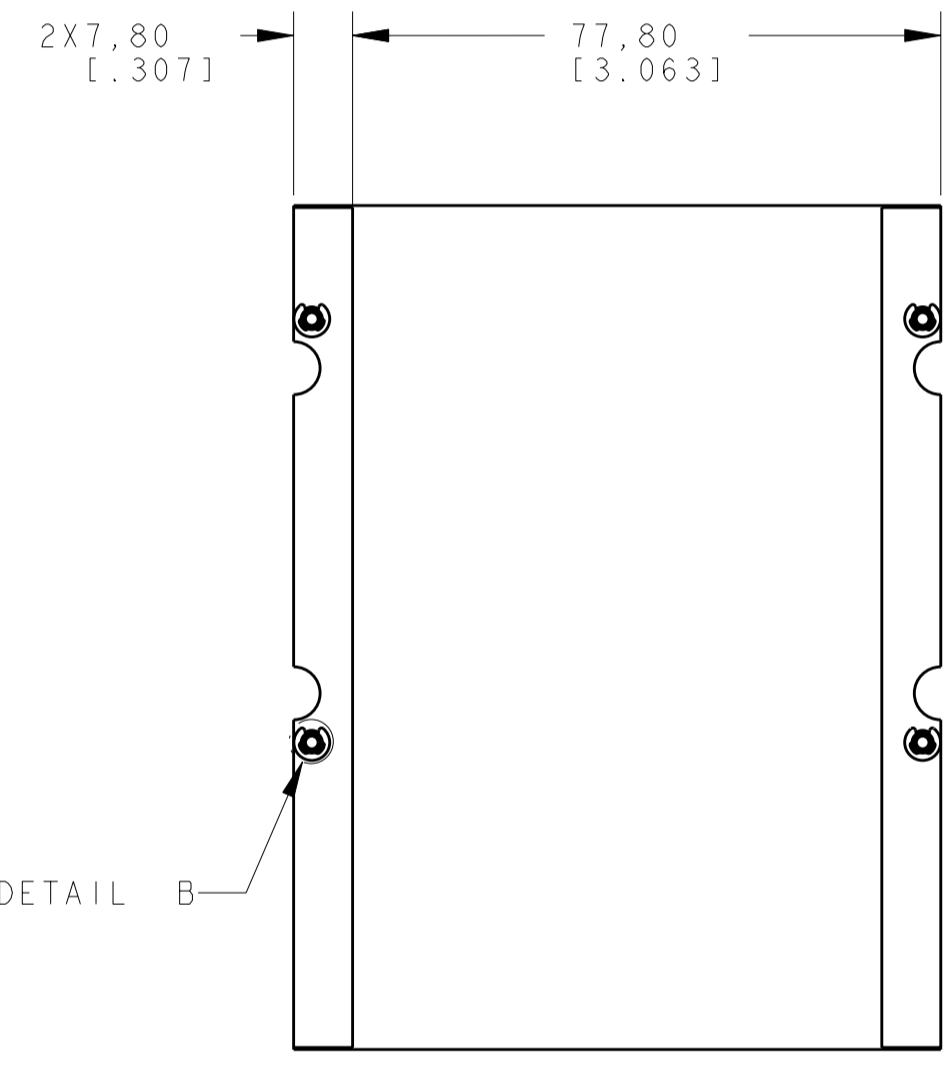
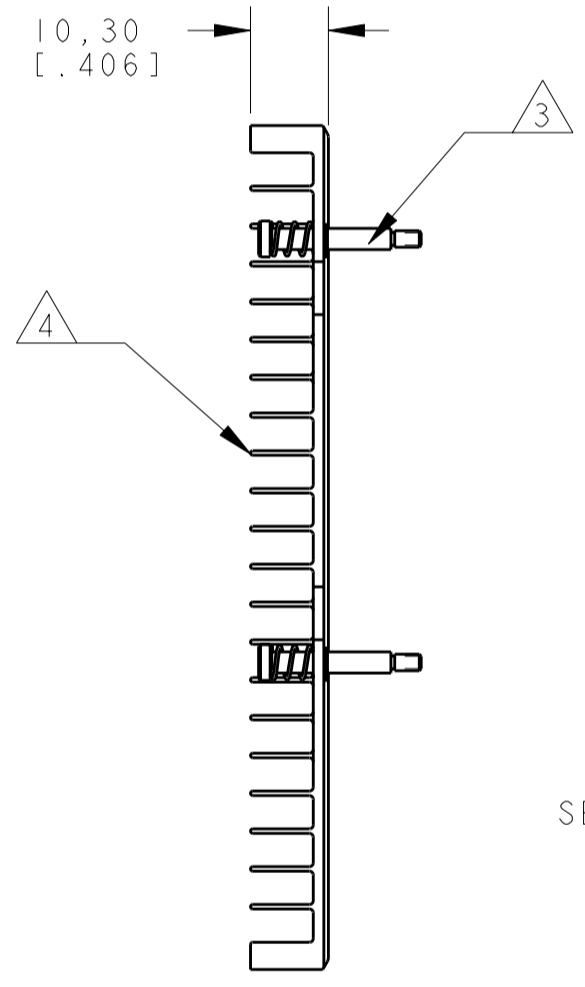
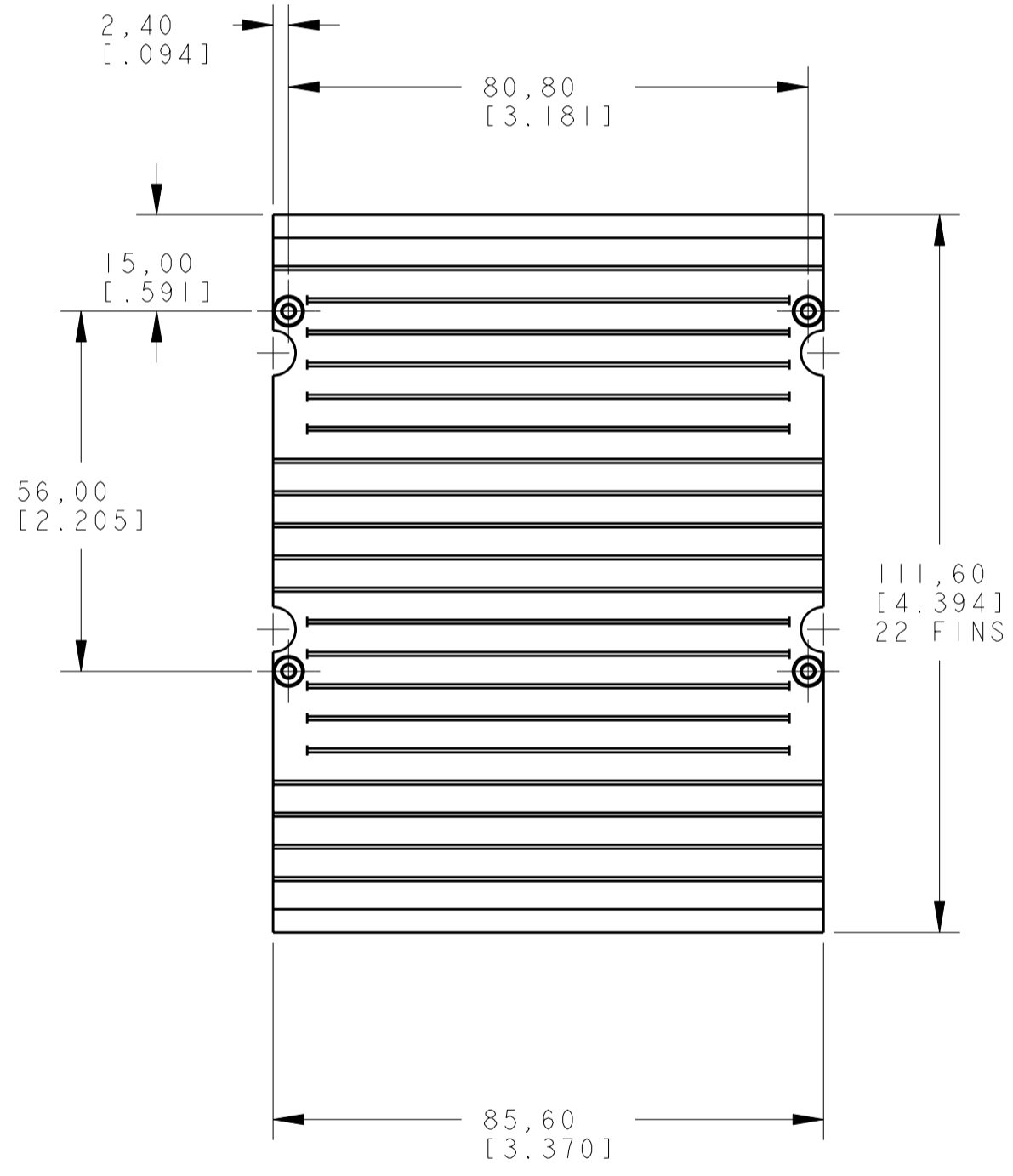
THIS DRAWING IS UNPUBLISHED. RELEASED FOR PUBLICATION 20
 © COPYRIGHT 20 BY - ALL RIGHTS RESERVED.

LOC		DIST		REVISIONS			
P	LTR	DESCRIPTION	DATE	DWN	APVD		
-	-	SEE SHEET 1	-	-	-		



DETAIL B
SCALE 12.000

- 2 AS SHOWN



SEE DETAIL B

THIS DRAWING IS A CONTROLLED DOCUMENT.		DWN C.D	25OCT2011	TE Connectivity	
DIMENSIONS: mm (inch)		CHK C.W	25OCT2011		
TOLERANCES UNLESS OTHERWISE SPECIFIED:		APVD C.W	25OCT2011	NAME HEAT SINK ASSEMBLY 100 GIG PLUGGABLE	
0 PLC ±		PRODUCT SPEC		SIZE	
1 PLC ±0.5		APPLICATION SPEC		CAGE CODE	
2 PLC ±0.25		WEIGHT		DRAWING NO	
3 PLC ±0.125		CUSTOMER DRAWING		RESTRICTED TO	
4 PLC ±0.0001°		SCALE		SHEET	
ANGLES ±		1.000		2 OF 2	
FINISH		REV		D	

单击下面可查看定价，库存，交付和生命周期等信息

[>>TE Connectivity\(泰科\)](#)