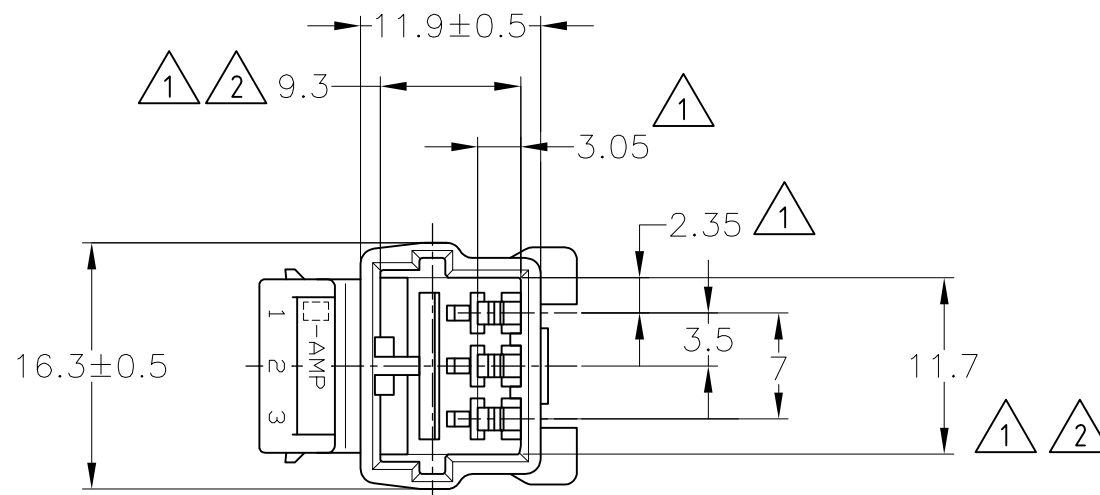
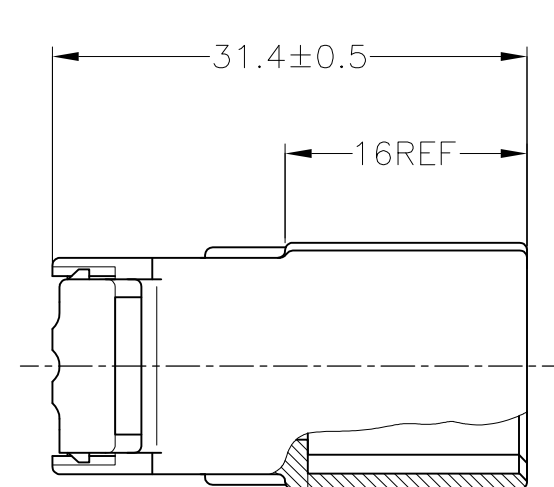


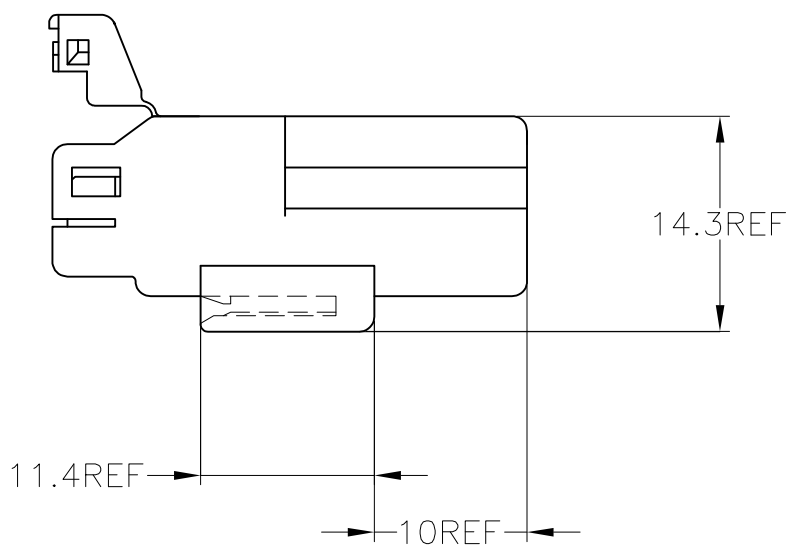
THIS DRAWING IS UNPUBLISHED. RELEASED FOR PUBLICATION
 © COPYRIGHT - By - ALL RIGHTS RESERVED.

LOC	DIST	REVISIONS					
J	-	P	LTR	DESCRIPTION	DATE	DWN	APVD
			C2	REVISED PER ECO-11-005140	28MAR11	RK	HMR




1. MUST BE KEPT BETWEEN **-A-** AND 2
2. TO BE MATED WITH PLUG HOUSING SMOOTHLY
3. APPLIED TAB CONTACT; P/N 173633 AND 173645
4. APPLIED PLUG HOUSING; P/N 174921 etc

1. **-A-** 面より 2mm の範囲で測定
2. 相手ハウジングと所定の昨日を満足して嵌合できること
3. 内装するリセプタクルコンタクトは型番 173633、173645
4. 嵌合相手ハウジング型番 174921 他



V-2	白 (WHITE)	1-174928-1
HB	黄 (YELLOW)	174928-7
	灰 (GRAY)	174928-6
	青 (BLUE)	174928-5
	緑 (GREEN)	174928-4
	黒 (BLACK)	174928-2
	白 (WHITE)	174928-1
使用材料難燃グレード (FLAMMABILITY OF MATERIAL)		色 (COLOR) 型番 (PART NUMBER)

THIS DRAWING IS A CONTROLLED DOCUMENT.

DWN	S.FUJITA	05DEC08	 TE Connectivity
CHK	K.BETSUI	05DEC08	
APVD	K.BETSUI	05DEC08	
PRODUCT SPEC	NAME		
APPLICATION SPEC			070 SERIES MULTILOCK I/O CONNECTOR 3POSITION HOUSING WIRE TO WIRE
WEIGHT	-	SIZE	A3
MATERIAL		CAGE CODE	00779
FINISH		DRAWING NO	C-174928
CUSTOMER DRAWING			RESTRICTED TO
SCALE			2:1
SHEET			1 OF 1
REV			C2

TOLERANCES UNLESS OTHERWISE SPECIFIED:

一般公差

10 >	±0.2
30 >	±0.25
> 30	±0.3
ANGLE	±3°

DIMENSIONS: mm

0 PLC	±
1 PLC	±
2 PLC	±
3 PLC	±
4 PLC	±
ANGLES	±
FINISH	-

单击下面可查看定价，库存，交付和生命周期等信息

[>>TE Connectivity\(泰科\)](#)