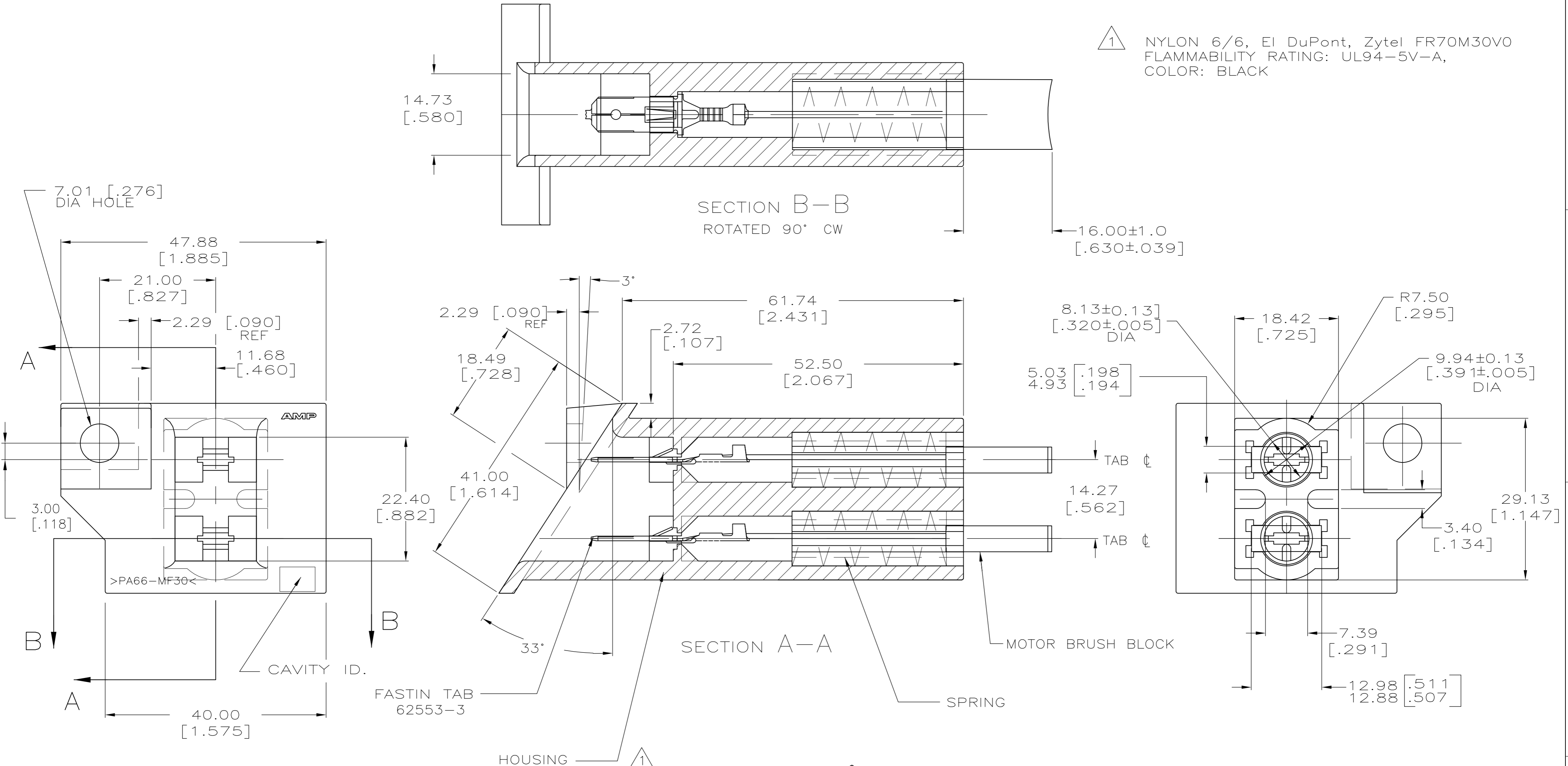
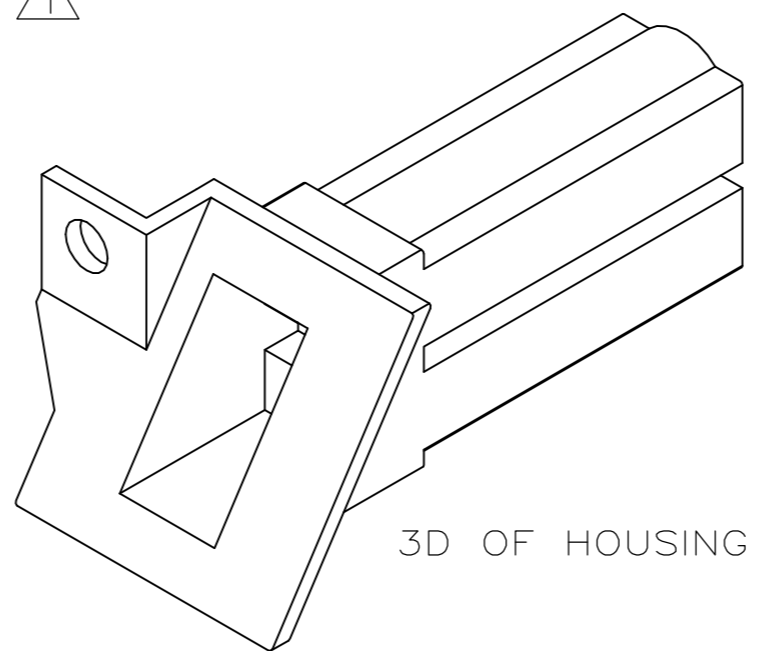


THIS DRAWING IS UNPUBLISHED. RELEASED FOR PUBLICATION  
 © COPYRIGHT BY TYCO ELECTRONICS CORPORATION. ALL RIGHTS RESERVED.

| LOC |     | DIST        |                           | REVISIONS |         |      |    |
|-----|-----|-------------|---------------------------|-----------|---------|------|----|
| P   | LTR | DESCRIPTION |                           | DATE      | DWN     | APVD |    |
| AF  | 50  | F1          | REVISED PER ECR-08-006152 |           | 11MAR08 | HMR  | PD |



1 NYLON 6/6, El DuPont, Zytel FR70M30V0  
 FLAMMABILITY RATING: UL94-5V-A,  
 COLOR: BLACK



|   |  |                  |                        |         |   |
|---|--|------------------|------------------------|---------|---|
| THIS DRAWING IS A CONTROLLED DOCUMENT.  |  | DWN              | JR RUTH                | 31AUG99 | Tyco Electronics Corporation<br>Harrisburg, PA 17105-3608 |
| DIMENSIONS:<br>mm [INCHES]  |  | CHK              | MS FEHER               | 31AUG99 |   |
| TOLERANCES UNLESS OTHERWISE SPECIFIED:  |  | APVD             | J HUMMEL               | 31AUG99 |   |
| 0 PLC ± -<br>1 PLC ± -<br>2 PLC ± 0.25 [.010]<br>3 PLC ± -<br>4 PLC ± -<br>ANGLES ± -<br>FINISH - |  | NAME             | ASSEMBLY, BRUSH, MOTOR |         |   |
| MATERIAL  |  | WEIGHT           | A2 00779 C=521222      |         | RESTRICTED TO   |
|   |  | CUSTOMER DRAWING | SCALE                  | 2:1     | SHEET 1 OF 1  |
|   |  |                  |                        | REV     | F1  |

521222-1  
 PART NO.

单击下面可查看定价，库存，交付和生命周期等信息

[>>TE Connectivity\(泰科\)](#)