

**REVISION(S)**

| LTR | DESCRIPTION       | INIT         | APP'D        |
|-----|-------------------|--------------|--------------|
| O   | ECN: 0S60-0081-04 | E.T 03/31/04 | B.P 04/07/04 |
| A   | ECR-06-011657     | E.T 6/2/06   | V.K 6/2/06   |
| A1  | ECR-06-023572     | E.T 10/13/06 | V.K 10/13/06 |

1. MATERIAL:

HEAT SINK: ALUM. (BLACK ANODIZE)  
CLIP: BLACK PEI (UL94-VO)

2. BEFORE THE HEATSINK APPLICATION, THE USER SHOULD IDENTIFY THE SPECIFICATION OF MAXIMUM LOAD ON THE BGA PACKAGE.

HEATSINK TORQUE SPECIFICATIONS CONVERTED TO FORCE.

BARE DIE PACKAGE:

1.5 POUND-FORCE INCH TORQUE = 8.5 POUND-FORCE  
(0.17 NEWTON TORQUE = 37.81 NEWTON)

2.0 POUND-FORCE INCH TORQUE = 11.4 POUND-FORCE  
(0.23 NEWTON METER TORQUE = 50.71NEWTON)

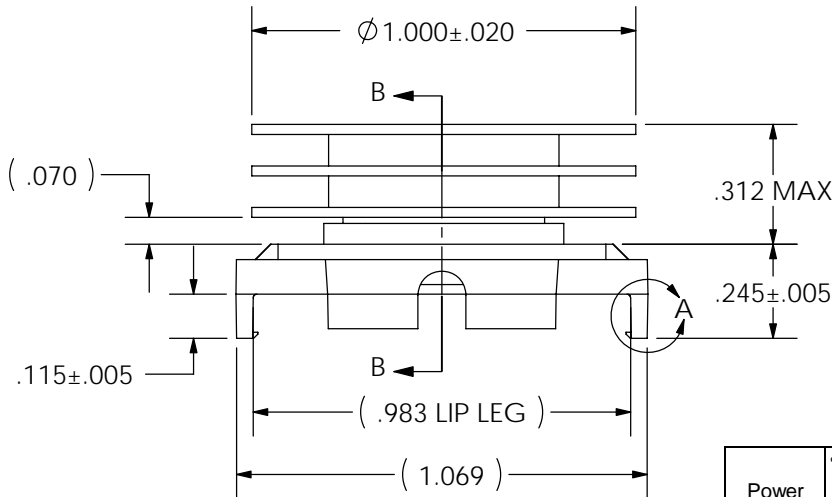
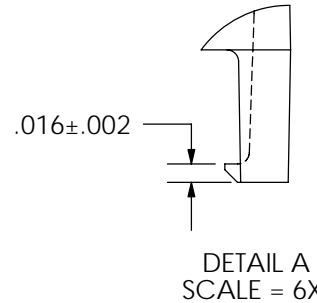
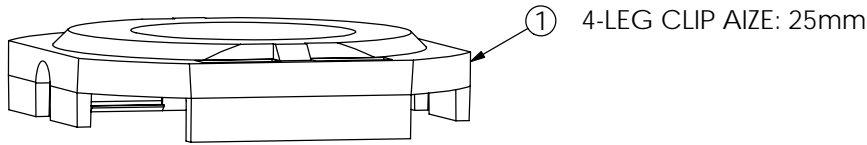
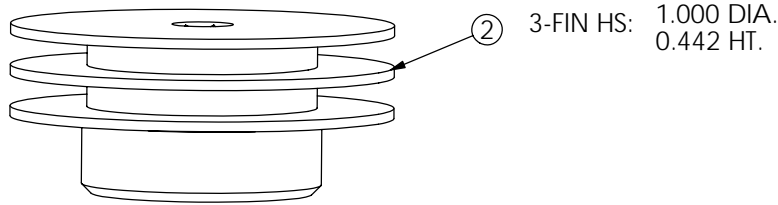
FULL SIZE LID PACKAGE:

1.5 POUND-FORCE INCH TORQUE = 8.3 POUND-FORCE  
(0.17 NEWTON TORQUE = 36.92NEWTON)

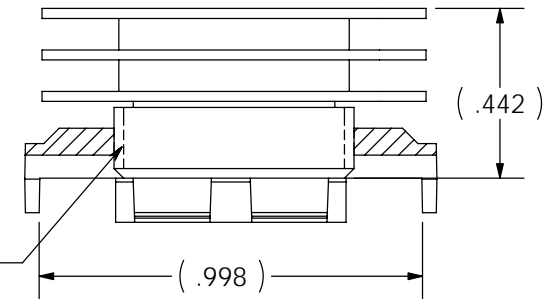
2.0 POUND-FORCE INCH TORQUE = 11.1 POUND-FORCE  
(0.23 NEWTON METER TORQUE = 49.38NEWTON)

3. REMOVE CLIP WITH REMOVAL TOOL P/N: 1542616-1.

4. RoHS COMPLIANT AND CERTIFIED.



5/8 - 27 UNS 2A  
THREAD



SECTION B-B

| Power    | ° C/W @ Ambient | ° C/W @ 200 LFM | ° C/W @ 400 LFM | ° C/W @ 600 LFM |
|----------|-----------------|-----------------|-----------------|-----------------|
| 5 Watts  | --              | --              | --              | --              |
| 10 Watts | 11.56           | 6.71            | 4.94            | 4.02            |
| 15 Watts | --              | --              | --              | --              |

**CUSTOMER DRAWING**

SPECIFICATIONS ARE SUBJECT TO CHANGE WITHOUT NOTICE

| ITEM | DESCRIPTION   | QTY |
|------|---------------|-----|
| 1    | MOUNTING CLIP | 1   |
| 2    | HEAT SINK     | 1   |
| ---  | -----         | --- |

**tyco** / *Electronics*    Attleboro Falls Massachusetts 02763

UNLESS OTHERWISE SPECIFIED TOLERANCES ARE:  
.XX ±  
.XXX ±  
.XXXX ±  
ANGLES ±°

DRAWN BY: E.TAO    DATE: 03/05/04    MATERIAL: SEE NOTE

ENGINEER: B.PETROCELLI    DATE: 04/07/04    FINISH: SEE NOTE

FILENAME:    PROJECT:    SYSTEM:

CONFIDENTIAL PROPERTY OF TYCO ELECTRONICS. NOT TO BE DISCLOSED TO OTHERS. REPRODUCED OR USED FOR ANY PURPOSES EXCEPT AS AUTHORIZED IN WRITING BY AN AUTHORIZED OFFICIAL OF TYCO. MUST BE RETURNED TO TYCO ON DEMAND, ON COMPLETION OF ORDERS OR OTHER PURPOSES FOR WHICH Lent.

TITLE: **25mm HS ASS'Y (HTS779-U)**

DIMENSIONS ARE IN: INCHES    SCALE: 2:1    PART NO: **6-1542004-6**    SHEET: 1 OF 1

SIZE: **A**    DWG. NO. **C-6-1542004-6**    REV: **A1**

THIRD ANGLE PROJECTION

单击下面可查看定价，库存，交付和生命周期等信息

[>>TE Connectivity\(泰科\)](#)