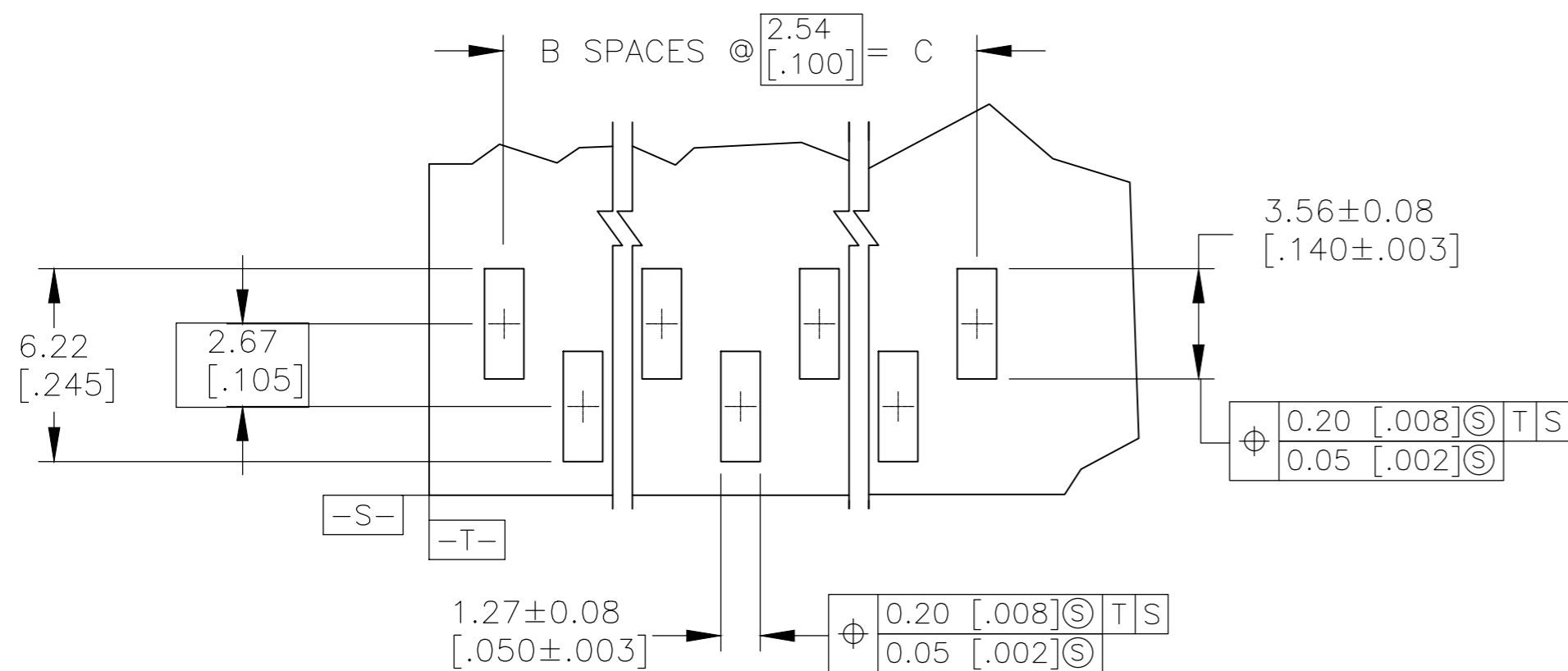
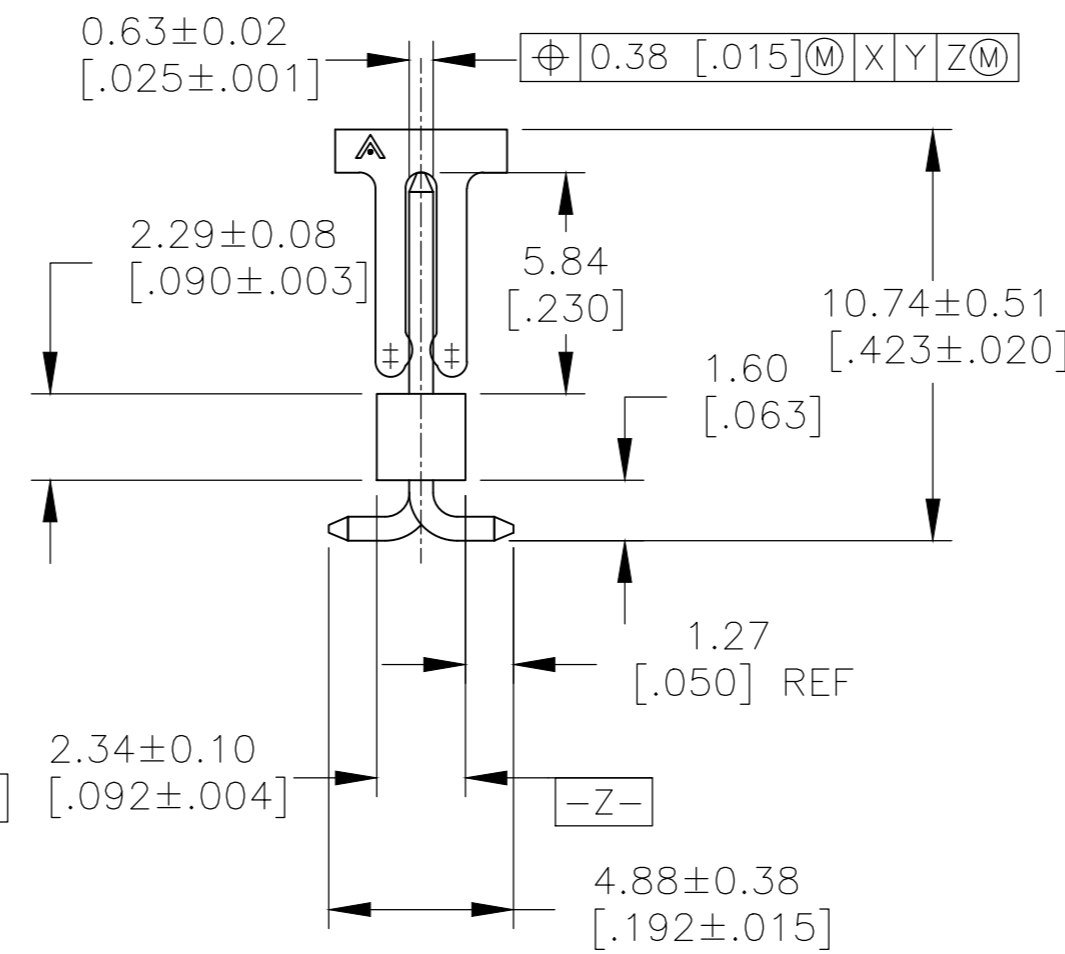
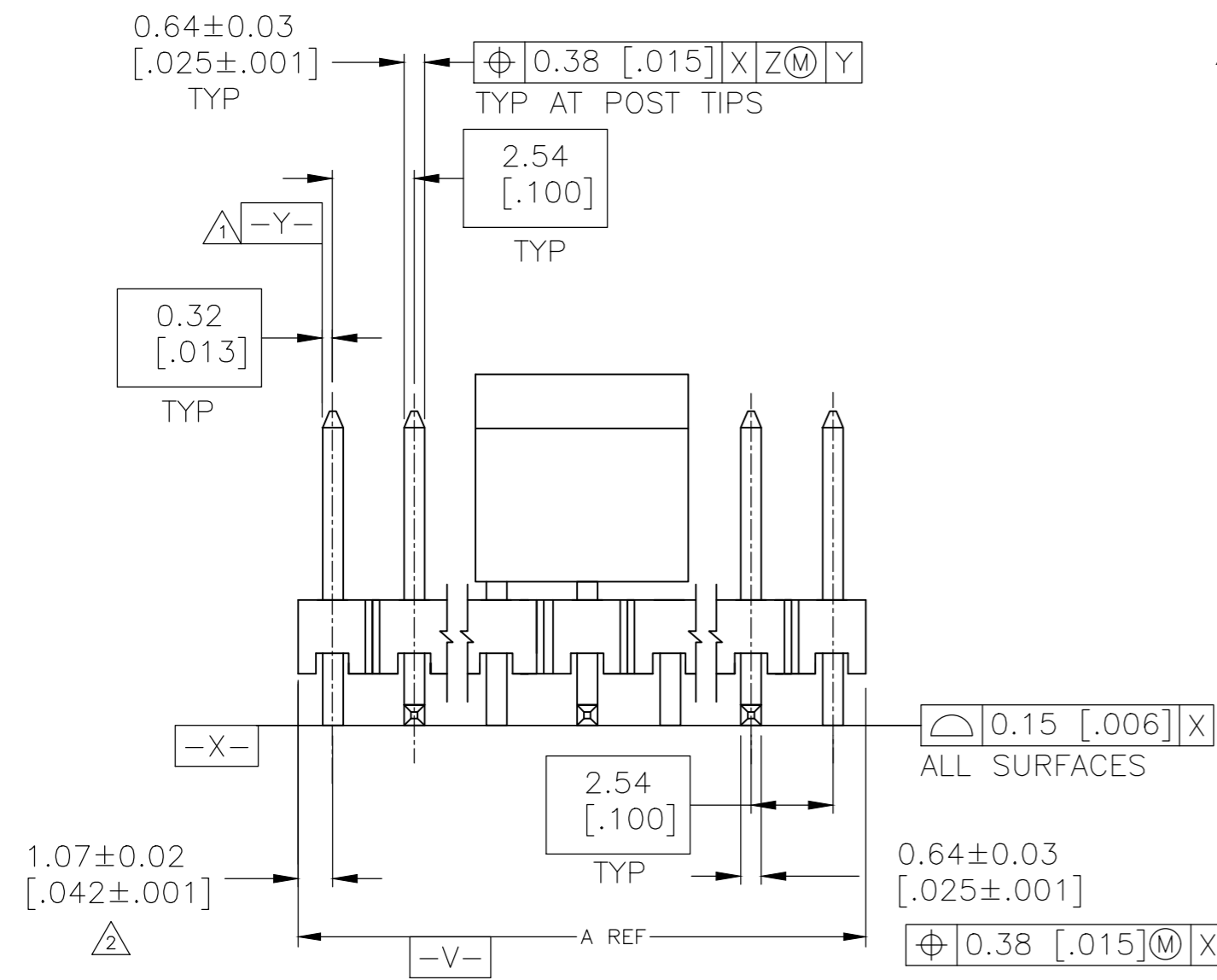
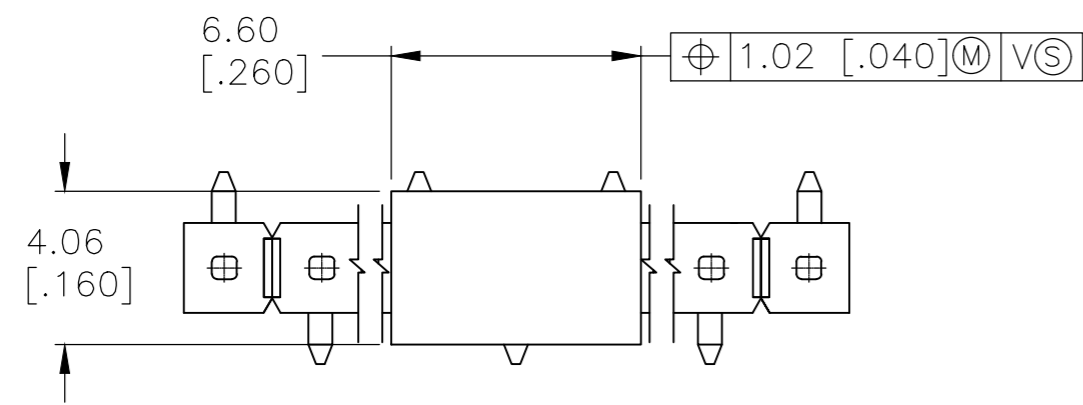


REVISIONS					
P	LTR	DESCRIPTION	DATE	DWN	APVD
L3		REVISED PER ECO-20-008708	22JUN2020	RK	JO

- 1 SHALL BE THE INTERSECTION OF THE POST AND HOUSING
- 2 THE NOTED DIMENSIONS APPLY AT THE INTERSECTION OF THE POST AND THE HOUSING.
- 3 0.00254[.000100]-0.00508[.000200] MATTE TIN-LEAD OVER 0.00127[.000050] NICKEL ENTIRE POST.
- 4 HOUSING: LCP, COLOR-BLACK.  
POST: COPPER ALLOY.  
PICK AND PLACE CAP: PPA, COLOR-BLACK.
- 5 PACKAGED IN TAPE AND REEL PER EIA-481 SPECIFICATIONS.  
SEE TABLE FOR TAPE WIDTHS.
- 6 PRELIMINARY PART NUMBER - NOT RELEASED FOR PRODUCTION
- 7 0.00254[.000100]-0.00508[.000200] MATTE TIN OVER 0.00127[.000050] NICKEL ENTIRE POST.



RECOMMENDED PCB LAYOUT FOR USE WITH 0.20[.008] THICK STENCIL

7	56MM	35.56 [1.400]	14	37.69 [1.484]	15	6-147291-3
7	56MM	33.02 [1.300]	13	35.15 [1.384]	14	6-147291-2
7	56MM	30.48 [1.200]	12	32.61 [1.284]	13	6-147291-1
7	56MM	25.4 [1.000]	10	27.53 [1.084]	11	6-147291-0
7	56MM	22.86 [.900]	9	24.99 [.984]	10	5-147291-9
6	7	32MM	4	10.16 [.400]	5	5-147291-8
6	7	32MM	5	12.70 [.500]	6	5-147291-7
7	24MM	7.26 [.300]	3	9.75 [.384]	4	5-147291-6
7	24MM	5.08 [.200]	2	7.21 [.284]	3	5-147291-5
7	56MM	27.94 [1.100]	11	30.07 [1.184]	12	5-147291-4
7	44MM	20.32 [.800]	8	22.45 [.884]	9	5-147291-3
7	44MM	17.78 [.700]	7	19.91 [.784]	8	5-147291-2
7	44MM	15.24 [.600]	6	17.37 [.684]	7	5-147291-1
3	24MM	7.26 [.300]	3	9.75 [.384]	4	147291-6
3	24MM	5.08 [.200]	2	7.21 [.284]	3	147291-5
3	56MM	27.94 [1.100]	11	30.07 [1.184]	12	147291-4
3	56MM	22.58 [.900]	9	27.53 [1.084]	10	147291-3
3	44MM	17.78 [.700]	7	19.91 [.784]	8	147291-2
3	44MM	15.24 [.600]	6	17.37 [.684]	7	147291-1
PLATING	TAPE WIDTH	C	B	A	NO OF POSN	PART NUMBER

THIS DRAWING IS A CONTROLLED DOCUMENT.		DWN B. HAYMAKER 14JUN99	TE Connectivity			
DIMENSIONS: mm [INCHES]		CHK J. GESFORD 14JUN99				
TOLERANCES UNLESS OTHERWISE SPECIFIED:		APVD J. GESFORD 14JUN99	NAME SMT HDR ASSY, MOD II, BRKAWAY, VT, SNGL ROW, .100X.100 CL, .025SQ POST, PNP CAP			
0 PLC ± - 1 PLC ± - 2 PLC ± - 3 PLC ± 0.13 [.005] 4 PLC ± - ANGLES ± -		PRODUCT SPEC -	APPLICATION SPEC -			
MATERIAL 4		FINISH SEE TABLE	WEIGHT -	SIZE A2	CAGE CODE -	DRAWING NO 147291
CUSTOMER DRAWING			SCALE 5:1	SHEET 1 OF 1	REV L3	RESTRICTED TO -

单击下面可查看定价，库存，交付和生命周期等信息

[>>TE Connectivity\(泰科\)](#)