

4

3

2

1

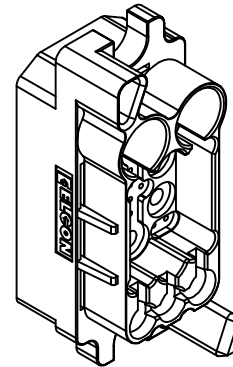
This drawing involves proprietary design rights of Tyco Electronics Corporation, and all design, manufacture, reproduction, use and sale rights regarding the same are expressly reserved. It is submitted for a specific purpose and the recipient by accepting this drawing, assumes custody and control and agrees to take reasonable precautions: (a) that this drawing will not be copied and reproduced, in whole or in part, or its contents revealed in any manner, or to any person except to meet the purpose for which it was delivered and (b) that any special features peculiar to this design will not be incorporated in other projects without the expressed written permission of Tyco Electronics Corporation.

REVISIONS			
EC	REV	DESCRIPTION	DATE
CPR	A	NEW RELEASE, PREVIOUSLY CUD 499-070	03/21/06

- 8. REFERENCE ELCON PART NUMBER 235-0164-01100.
- 7. SEE DRAWING C-1648135 FOR MATING SOCKET CONNECTOR.
- 6. ITEMS PROVIDED TO THIS SPECIFICATION TO BE PERMANENTLY IDENTIFIED PER THE FOLLOWING IDENTIFIER: WEEK



- 5. ALL DIMENSIONS SHOWN ACROSS A CENTERLINE (C) SHALL BE CENTRALIZED WITHIN THE TOLERANCE INDICATED FOR THAT DIMENSION.
- 4. A REFERENCE DIMENSION (.XXX) IS WITHOUT TOLERANCE AND USED FOR INFORMATION PURPOSE ONLY.
- 3. RECOMMENDED MOUNTING HARDWARE: TO BE ORDERED SEPARATELY.
 - FOR PANEL MOUNTING, USE
 - 1650402-1: SHOULDER SCREW, #8-32
 - 1650589-1: SHOULDER SCREW, M4X0.7
 - FOR PCB MOUNTING, USE COMMERCIALY AVAILABLE SCREW AND WASHER (IF REQUIRED).



- 2. MATERIALS:
 - HOUSING: THERMOPLASTIC, GLASS REINFORCED, COLOR-BLACK UL94V-0 FLAMMABILITY RATED.
 - RETENTION CLIP: COPPER ALLOY OR STAINLESS STEEL
- 1. PART NUMBER CHANGES AND OR DESIGN CHANGES AFFECTING ITEM INTERCHANGEABILITY REQUIRE PRIOR ELCON APPROVAL AND AUTHORIZATION BY REVISION TO THIS DRAWING.

NOTES: UNLESS OTHERWISE SPECIFIED

1648134-1	AS SHOWN
PART NUMBER	DESCRIPTION

INCH OR INCH (MM) THIRD ANGLE PROJECTION UNLESS OTHERWISE SPECIFIED DIMENSIONS ARE IN INCHES (METRIC) TOLERANCES ANGLES ± .5° DECIMALS .XXX ± .010 (.25) .XX ± .02 (.3)	DRAWN HA NGUYEN	DATE 03/21/06	tyco Tyco Electronics Corporation Electronics Menlo Park, Ca 94025 ELCON TITLE CONNECTOR, PIN HOUSING SIZE 2X#4, 14X#20, 6X#8, 3X#12 200A MIDDLE DRAWER SIZE DWG NUMBER B C = 1648134 REV. A
	CHECKED		
	APPROVED		
	APPROVED STEVE FLICKINGER	03/21/06	
	DCA APPROVED HA NGUYEN	03/21/06	
	ACAD FILE NUMBER	C1648134A.DWG	DWG SCALE 1=1 SH 1 OF 3

4

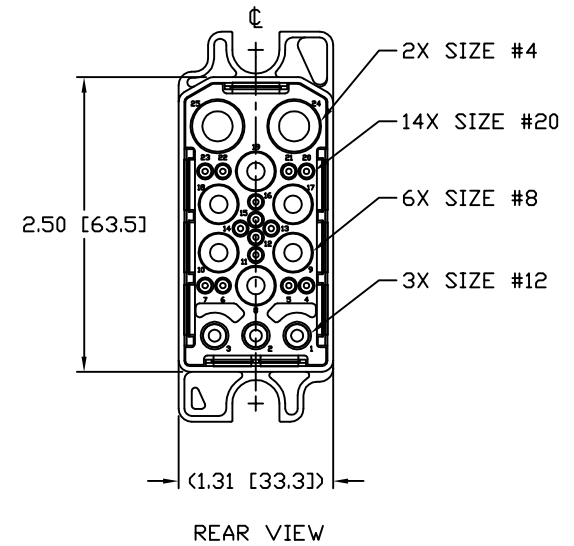
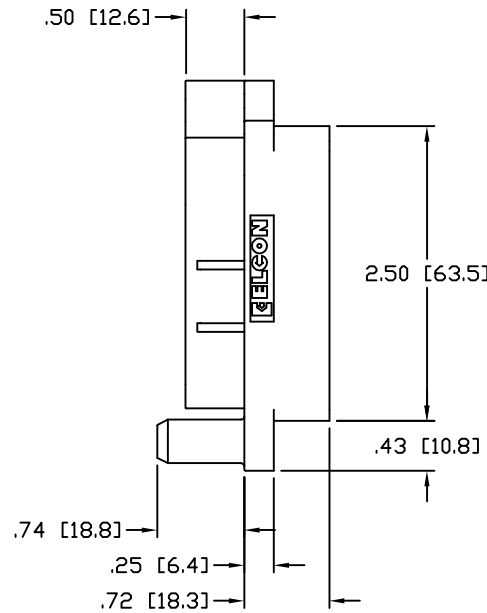
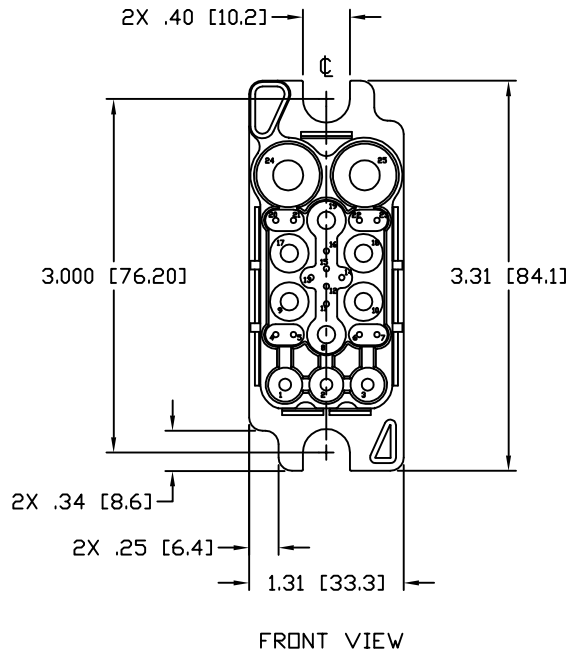
3

2

1

This drawing involves proprietary design rights of Tyco Electronics Corporation, and all design, manufacture, reproduction, use and sale rights regarding the same are expressly reserved. It is submitted for a specific purpose and the recipient by accepting this drawing, assumes custody and control and agrees to take reasonable precautions: (a) that this drawing will not be copied and reproduced, in whole or in part, or its contents revealed in any manner, or to any person except to meet the purpose for which it was delivered and (b) that any special features peculiar to this design will not be incorporated in other projects without the expressed written permission of Tyco Electronics Corporation.

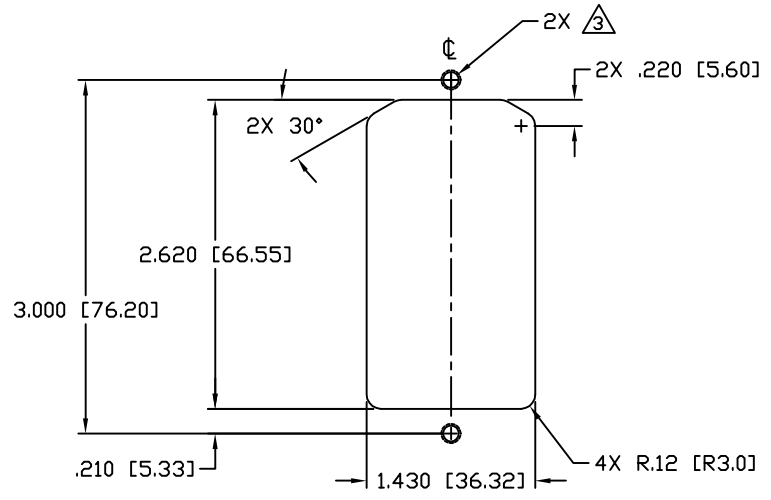
REVISIONS			
EC	REV	DESCRIPTION	DATE
		SEE SHEET 1	



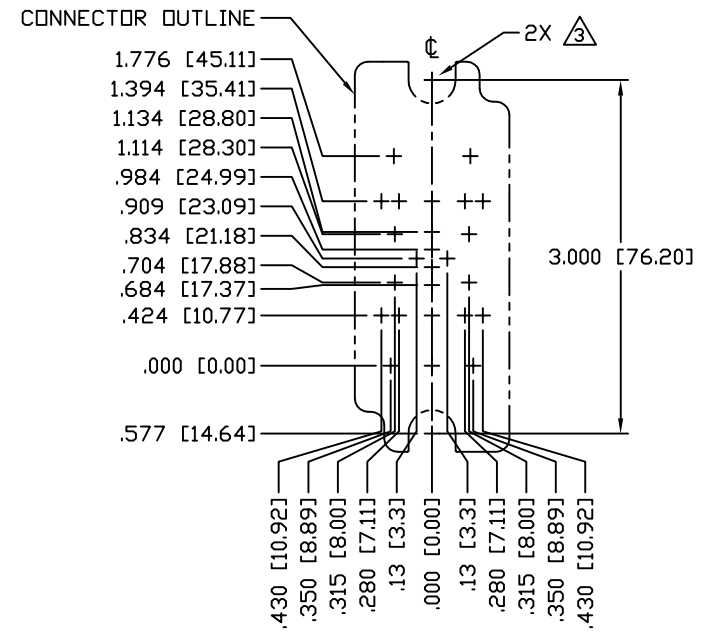
INCH OR INCH (MM) THIRD ANGLE PROJECTION UNLESS OTHERWISE SPECIFIED DIMENSIONS ARE IN INCHES (METRIC) TOLERANCES ANGLES ± .5° DECIMALS .XXX ± .010 (.25) .XX ± .02 (.3)	DRAWN	DATE	Tyco Electronics Corporation Menlo Park, Ca 94025
	HA NGUYEN	03/21/06	
	CHECKED		TITLE
	APPROVED		CONNECTOR, PIN HOUSING SIZE 2X#4, 14X#20, 6X#8, 3X#12 200A MIDDLE DRAWER
	APPROVED		SIZE DWG NUMBER
	STEVE FLICKINGER	03/21/06	B C = 1648134
	DCA APPROVED		REV.
	HA NGUYEN	03/21/06	A
	ACAD FILE NUMBER	C1648134A.DWG	DWG SCALE 1=1 SH 2 OF 3

This drawing involves proprietary design rights of Tyco Electronics Corporation, and all design, manufacture, reproduction, use and sale rights regarding the same are expressly reserved. It is submitted for a specific purpose and the recipient by accepting this drawing, assumes custody and control and agrees to take reasonable precautions: (a) that this drawing will not be copied and reproduced, in whole or in part, or its contents revealed in any manner, or to any person except to meet the purpose for which it was delivered and (b) that any special features peculiar to this design will not be incorporated in other projects without the expressed written permission of Tyco Electronics Corporation.

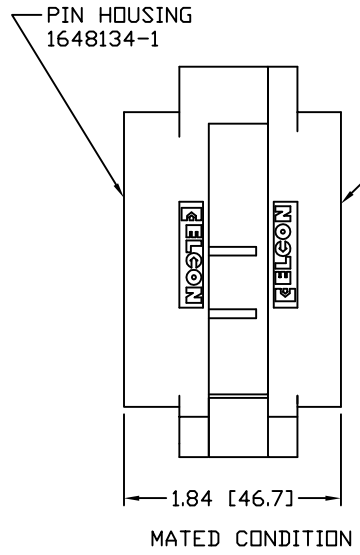
REVISIONS			
EC	REV	DESCRIPTION	DATE
		SEE SHEET 1	



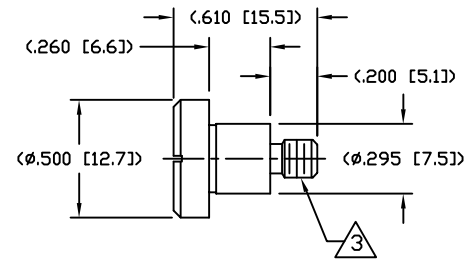
RECOMMENDED PANEL CUTOUT AS VIEWED FROM CONNECTOR MOUNTING SIDE (FRONT VIEW)



RECOMMENDED CONTACT LAYOUT AS VIEWED FROM CONNECTOR MOUNTING SIDE (FRONT VIEW)



MATED CONDITION



SHOULDER SCREW SCALE 2:1 SHOWN FOR REFERENCE ONLY

INCH OR INCH (MM) THIRD ANGLE PROJECTION UNLESS OTHERWISE SPECIFIED DIMENSIONS ARE IN INCHES (METRIC) TOLERANCES ANGLES ± .5° DECIMALS .XXX ± .010 (.25) .XX ± .02 (.3)	DRAWN HA NGUYEN	DATE 03/21/06	 Tyco Electronics Corporation Menlo Park, Ca 94025 	TITLE USER INFORMATION RECOMMENDED PANEL CUTOUT CONTACT LAYOUT & MATED CONDITION SIZE DWG NUMBER B C = 1648134 REV. A	
	CHECKED				
	APPROVED		APPROVED STEVE FLICKINGER DCA APPROVED HA NGUYEN		DATE 03/21/06 03/21/06
	ACAD FILE NUMBER C1648134A.DWG	DWG SCALE 1=1			SH 3 OF 3

单击下面可查看定价，库存，交付和生命周期等信息

[>>TE Connectivity\(泰科\)](#)