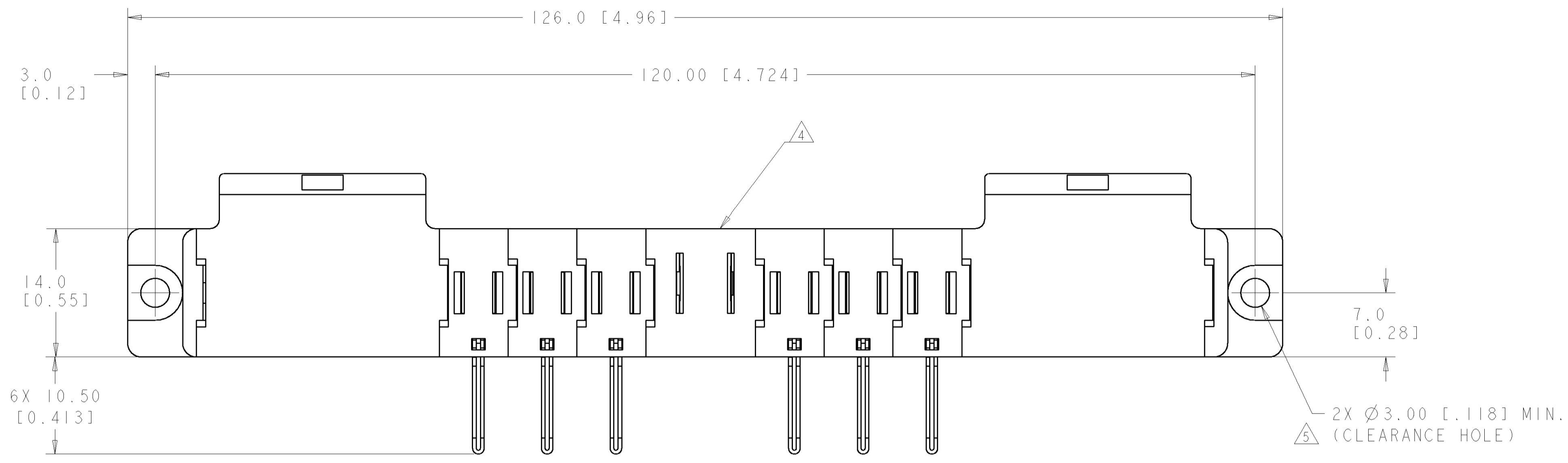


LOC	DIST	REVISIONS			
P	LTR	DESCRIPTION	DATE	DWN	APVD
A		RELEASED	20FEB2006	RG	PD



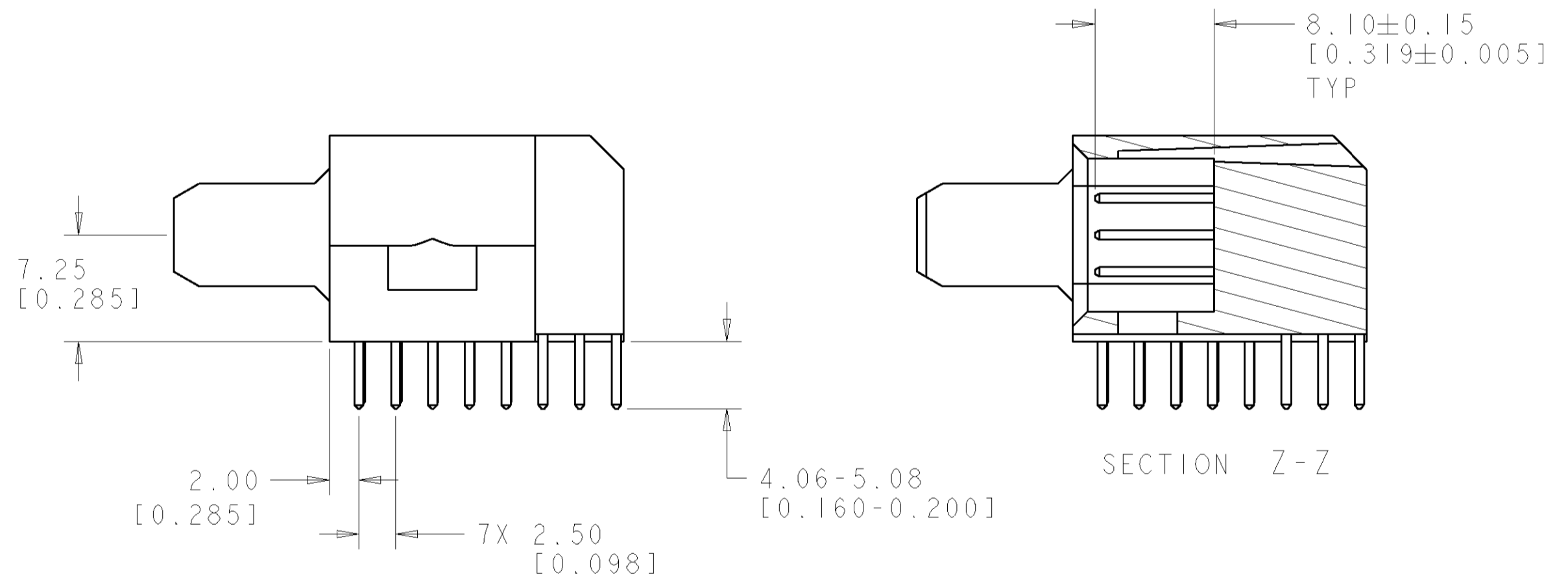
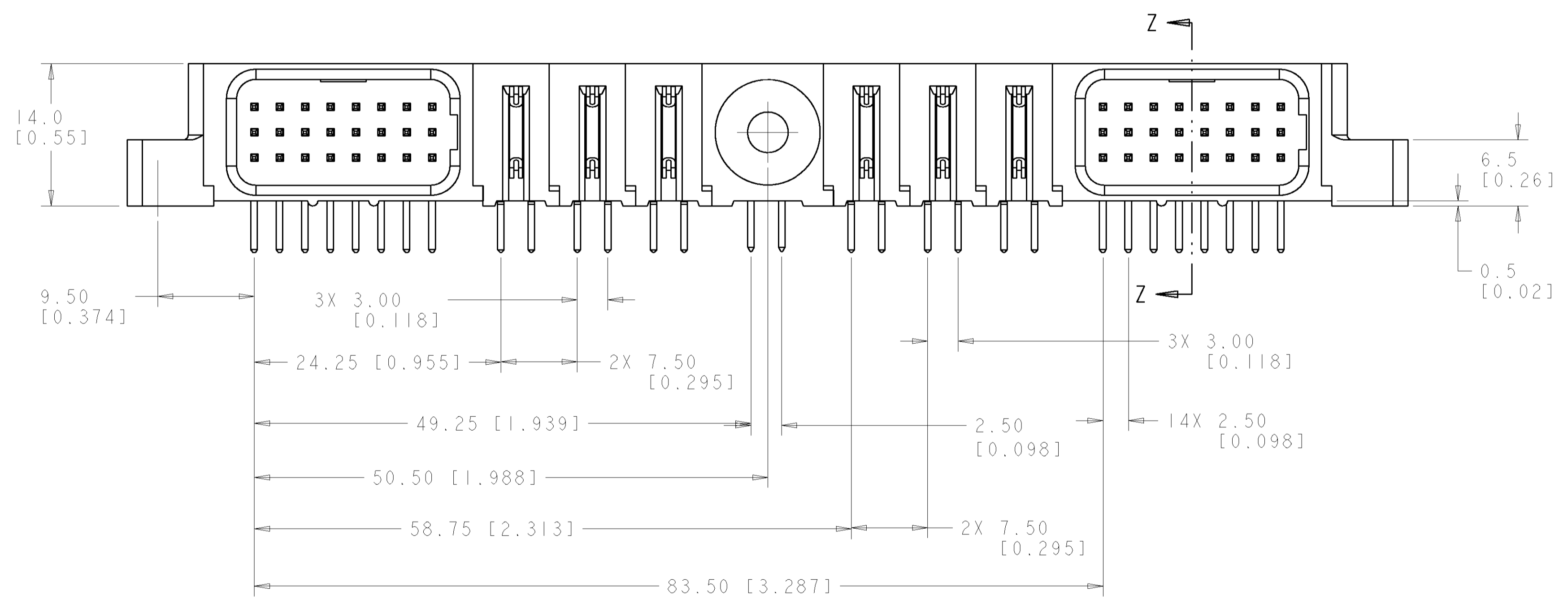
- PART NUMBER CHANGES AND OR DESIGN CHANGES AFFECTING ITEM INTERCHANGEABILITY REQUIRE PRIOR TYCO APPROVAL AND AUTHORIZATION BY REVISION TO THIS DRAWING.
- MATERIAL:
  - INSULATORS - THERMOPLASTIC, GLASS REINFORCED, COLOR: BLACK
  - UL94V-0 FLAMMABILITY RATED.
  - POWER CONTACTS - PHOSPHOR BRONZE ALLOY, COPPER ALLOY
  - SIGNAL CONTACTS - BRASS ALLOY
  - CROWN BANDS - BERYLLIUM COPPER ALLOY
- FINISH:
  - CONTACTS - GOLD PLATE .000030" MIN. THK., OVER NICKEL .000050" MIN. THK.
  - SOLDER TAILS TIN .000120" MIN THK. OVER NICKEL .000050" MIN. THK.

△ ITEMS PROVIDED TO THIS SPECIFICATION TO BE PERMANENTLY IDENTIFIED PER THE FOLLOWING IDENTIFIER LABEL

YEAR  WEEK

TYCO PART NO.  DATE CODE (e.g. 0106)

△ MOUNTING FLANGES ACCEPT M3 OR #4-40 SCREWS (USER SUPPLIES).

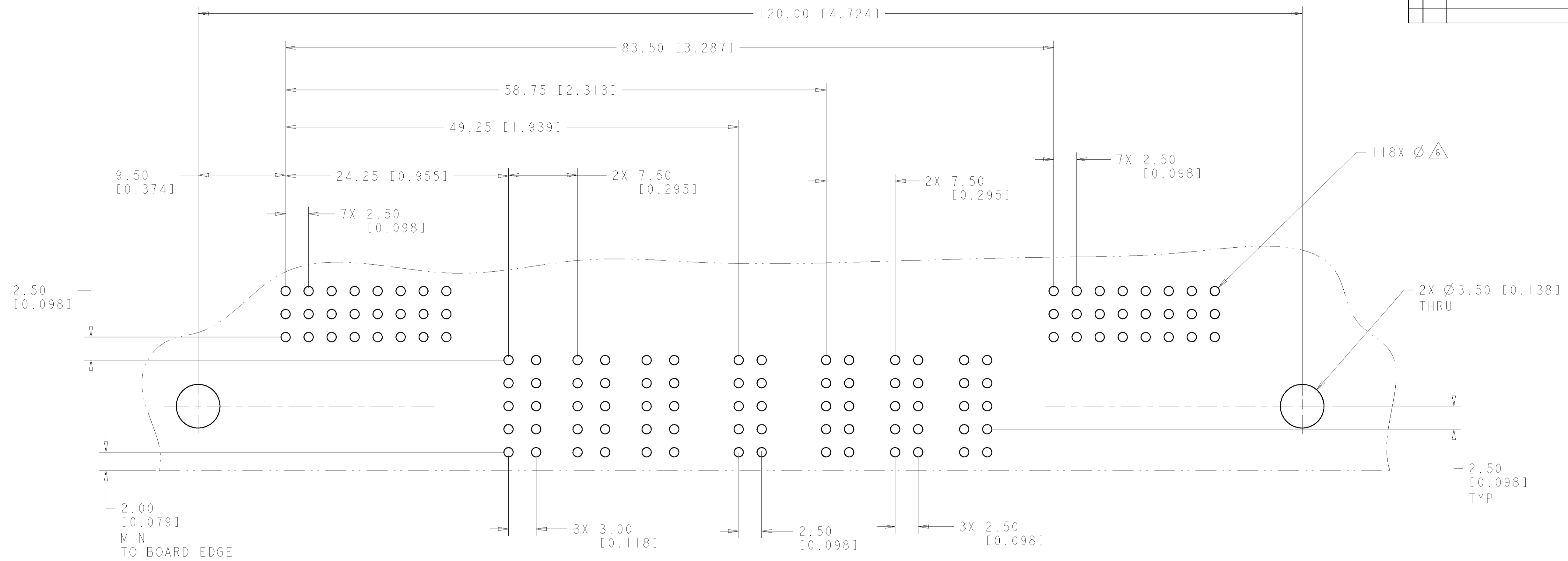


ELCON FLATPAQ

DIMENSIONS: mm [INCHES]		TOLERANCES UNLESS OTHERWISE SPECIFIED:		DWN: R. GRZYBOWSKI 240CT06		ECHK: P. DAMATO 240CT06		APVD: S. FLICKINGER 240CT06		NAME: S. FLICKINGER		PRODUCT SPEC: -		APPLICATION SPEC: -		WEIGHT: -		CUSTOMER DRAWING	
0 PLC	±	1 PLC	±.5 [0.020]	1	R. GRZYBOWSKI	240CT06	240CT06	240CT06	S. FLICKINGER	S. FLICKINGER	PIN CONNECTOR ASSEMBLY	RIGHT ANGLE	SOLDER TAILS	SCALE: 4:1	SHEET: 1	OF: 3	REV: A		
2 PLC	±.5 [0.020]	3 PLC	±.25 [0.010]	2	P. DAMATO	240CT06	240CT06	240CT06											
4 PLC	±	ANGLES	±.5	3															

AS SHOWN	6646887-1
DESCRIPTION	PART NUMBER

LOC	DIST	REV	DATE	BY	APPD
GP	00				
REVISIONS					
P	LTR	DESCRIPTION	DATE	BY	APPD
-	-	SEE SHEET 1	-	-	-



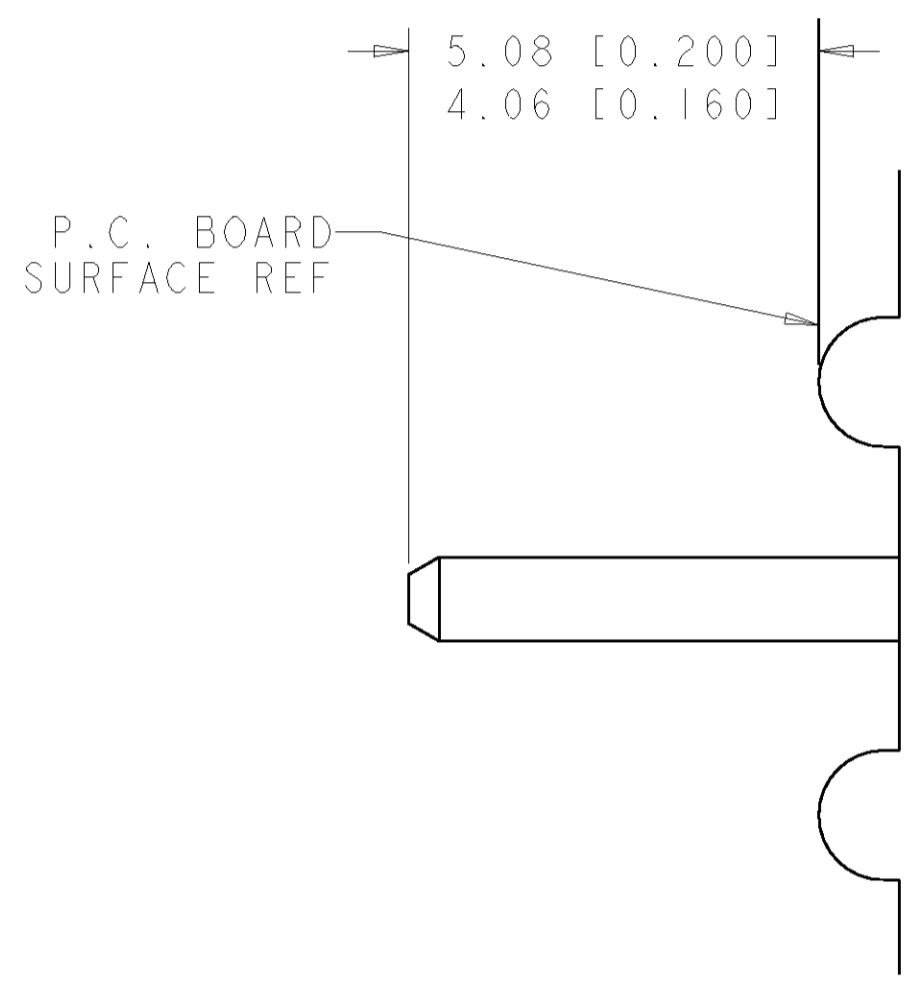
PRINTED CIRCUIT LAYOUT  
 COMPONENT SIDE

CONNECTOR	CATALOG MODULE #	QTY	SIZE NO.	CONTACT QTY	MATING PIN	MAX. CURRENT (PER CONTACT)	CONTACT SPACING	VOLTAGE RATING
PIN	FP105	6	8	6	1.25 X 7.00 [.049 X .276]	35 amps	7.50 [0.2953]	250
	FP302	2	22	48	.64 [0.025] SQ.	3 AMPES	2.50 [0.0984]	125
	FP516	1	ACTIVATED RIGHT ANGLE GUIDE SOCKET					
	FP500	1	LEFT MOUNTING FLANGE					
	FP501	1	RIGHT MOUNTING FLANGE					

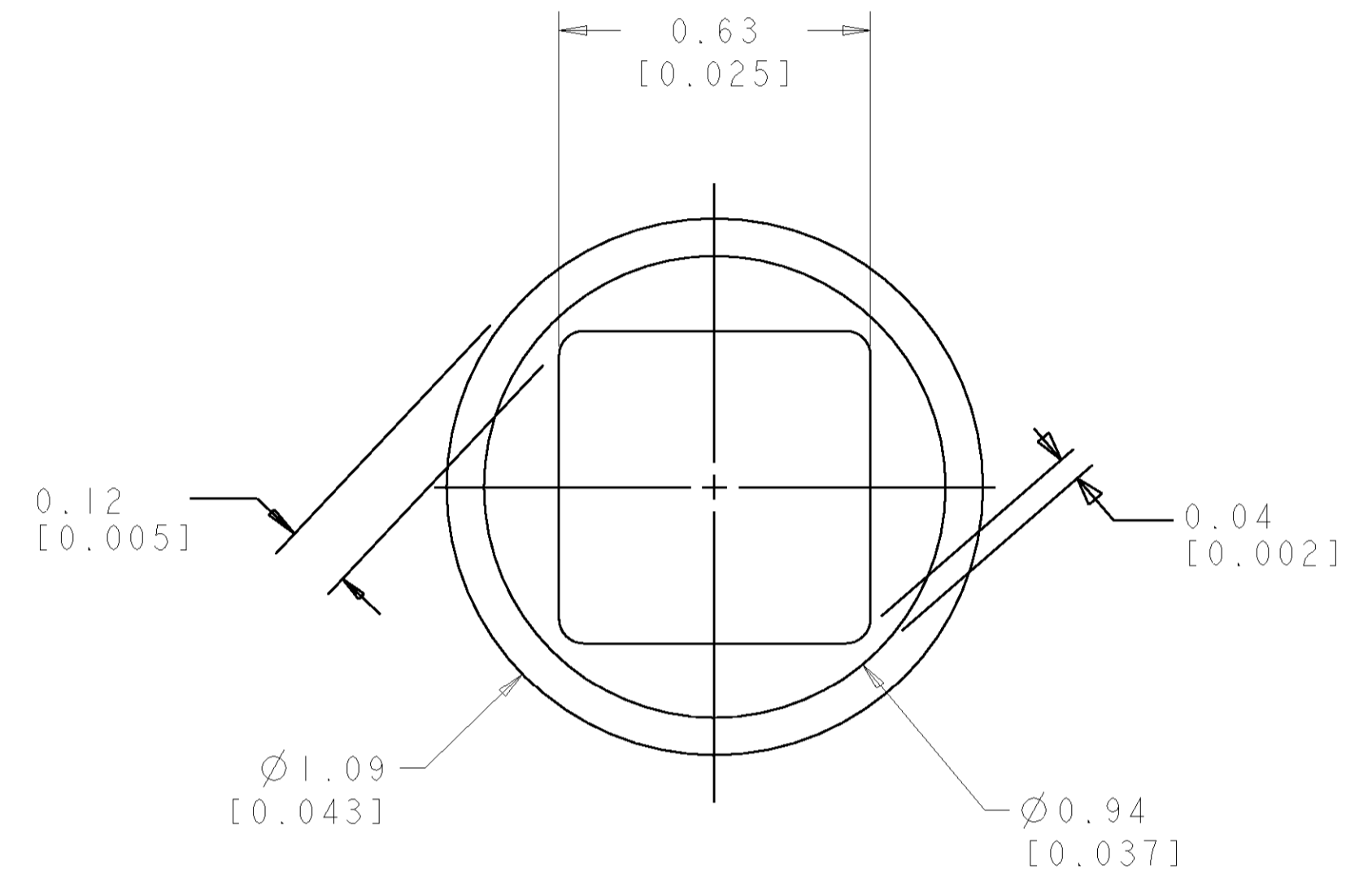
ELCON FLATPAQ

DIMENSIONS: mm [ INCHES ]		TOLERANCES UNLESS OTHERWISE SPECIFIED: 0 PLG ±.5 [ .020 ] 1 PLG ±.5 [ .020 ] 2 PLG ±.25 [ .010 ] 3 PLG ±.25 [ .010 ] 4 PLG ±.25 [ .010 ] ANGLES ±.5		DWN B. GRZYBOWSKI 240CT06 CHK P. DAMATO 240CT06 APPD S. FLICKINGER 240CT06		tyco Electronics Tyco Electronics Harrisburg, PA 17105-3608	
MATERIAL - FINISH -		WEIGHT - CUSTOMER DRAWING		NAME PIN CONNECTOR ASSEMBLY RIGHT ANGLE SOLDER TAILS		SIZE CAGE CODE DRAWING NO. RESTRICTED TO A 100779 C-6646887	
SCALE 4:1 SHEET 2 OF 3 REV A				DATE 11/07/99			

LOC	DIST	REVISIONS			
P	LTR	DESCRIPTION	DATE	DNW	APVD
GP	00	SEE SHEET 1	-	-	-



6. SOLDER TAIL DETAIL  
SCALE 10 : 1



⚠ SOLDER TERMINATION AREA  
 SCALE 40:1  
 RECOMMENDED PRINTED CIRCUIT HOLE  
 SOLDER  
 FINISHED HOLE: Ø1.02 [0.040] ±.008 [0.0003]  
 DRILLED HOLE: Ø1.15 [0.0453] ±.013 [0.0005]  
 COPPER PLATE: .025 [0.0010] MIN  
 TIN PLATE: .008 [0.0003] MIN. (PER SURFACE)

ELCON FLATPAQ

<small>THIS DRAWING IS UNPUBLISHED. RELEASED FOR PUBLICATION. ALL RIGHTS RESERVED. THIS DRAWING IS THE PROPERTY OF TYCO ELECTRONICS CORPORATION. IT IS TO BE USED ONLY FOR THE PURPOSES AND ORGANIZATION SPECIFIED HEREIN. NO PARTS OF THIS DRAWING ARE TO BE REPRODUCED OR TRANSMITTED IN ANY FORM OR BY ANY MEANS, ELECTRONIC OR MECHANICAL, INCLUDING PHOTOCOPYING, RECORDING, OR BY ANY INFORMATION STORAGE AND RETRIEVAL SYSTEM, WITHOUT PERMISSION IN WRITING FROM TYCO ELECTRONICS CORPORATION.</small>		DWN B. GRZYBOWSKI CHK P. DAMATO APVD S. FLICKINGER	240CT06 240CT06 240CT06	<b>tyco</b> Electronics Tyco Electronics Harrisburg, PA 17105-3608
DIMENSIONS: mm [INCHES]	TOLERANCES UNLESS OTHERWISE SPECIFIED: 0 PLC ± 1 PLC ±.5 [0.020] 2 PLC ±.25 [0.010] 3 PLC ± 4 PLC ± ANGLES ±.5 FINISH	PRODUCT SPEC APPLICATION SPEC	NAME PIN CONNECTOR ASSEMBLY RIGHT ANGLE SOLDER TAILS	RESTRICTED TO
MATERIAL		WEIGHT	SIZE CAGE CODE DRAWING NO A100779C=6646887	
		CUSTOMER DRAWING	SCALE 4:1 SHEET 3 OF 3 REV A	

单击下面可查看定价，库存，交付和生命周期等信息

[>>TE Connectivity\(泰科\)](#)