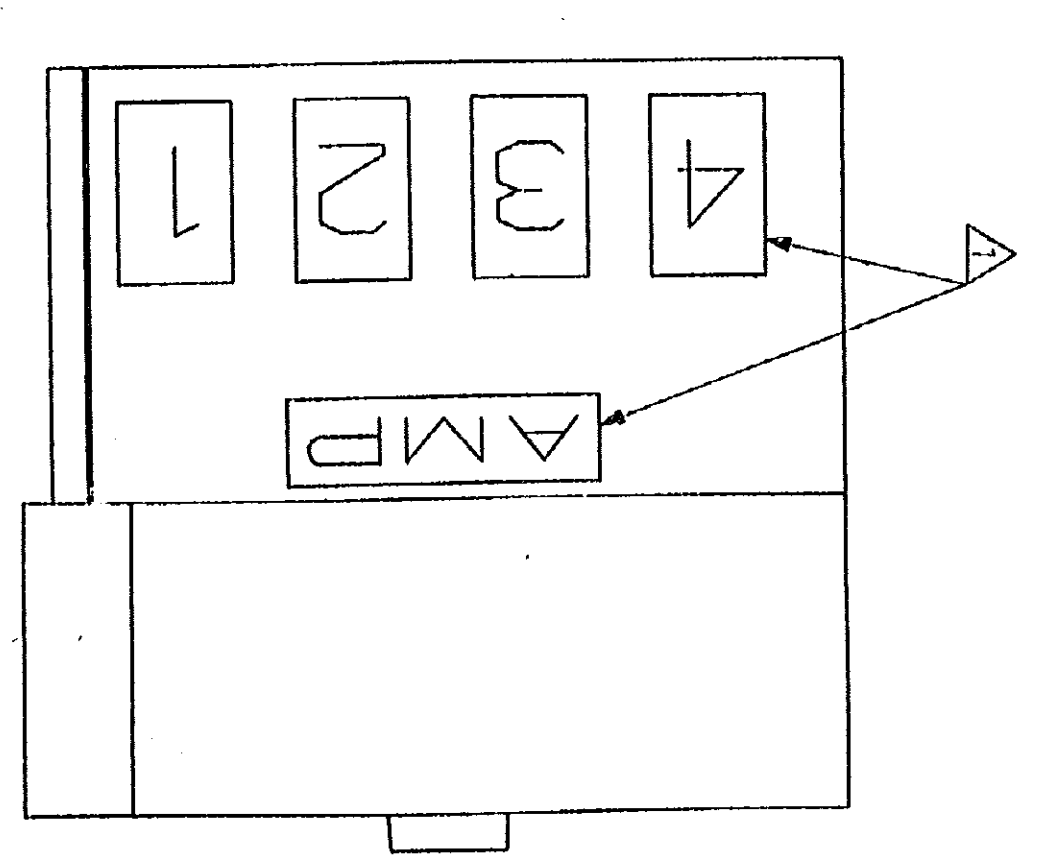
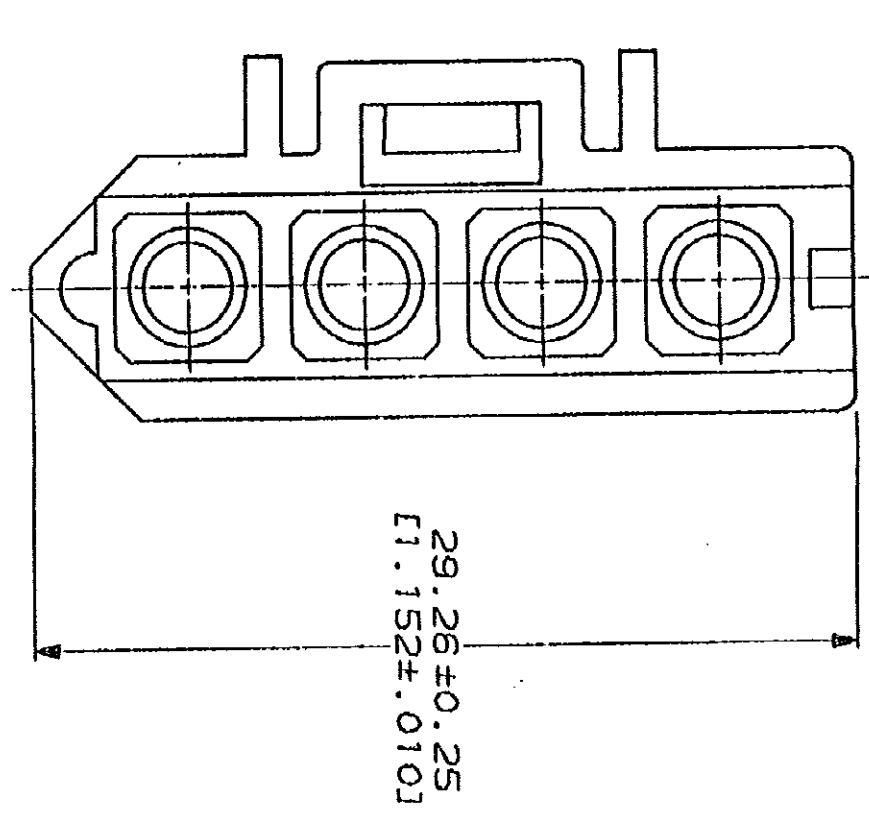
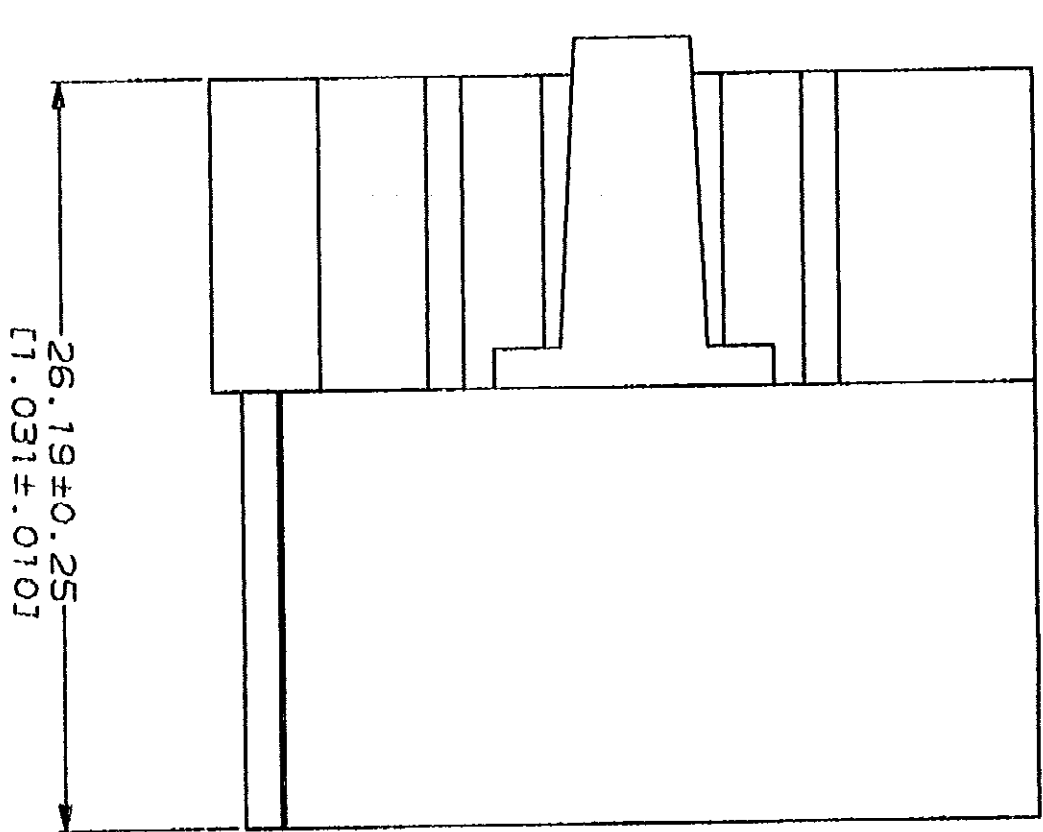
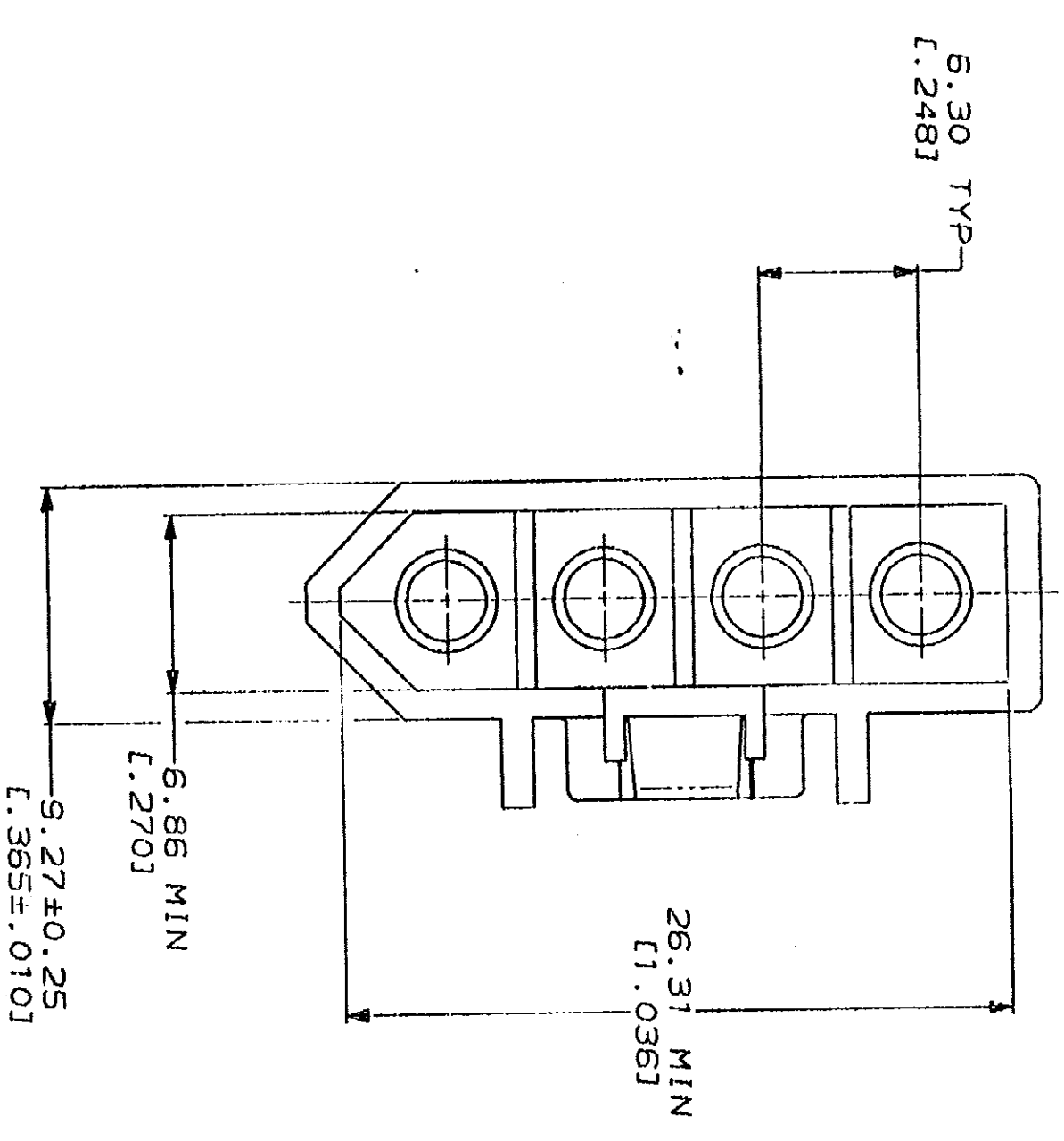
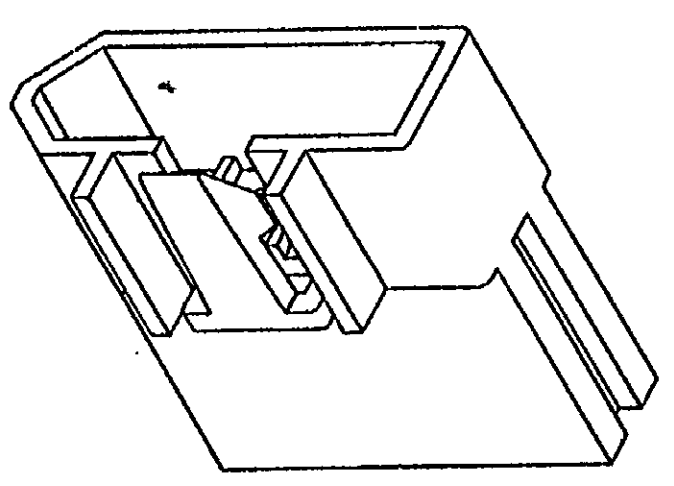


DRAWING MADE IN 180 ANGLE PROJECTION
 THIS DRAWING IS UNRELEASABLE
 UNLESS SPECIFICALLY AUTHORIZED BY AMP INCORPORATED
 ALL INFORMATION RIGHTS RESERVED.

REV	DATE	BY	DESCRIPTION
1	11-81	RS	REVISED PER ECN CM 3387
2			



△ AMP LOGO AND CIRCUIT NUMBERS LOCATED IN THIS AREA.
 2. DIMENSIONS IN BRACKETS ARE IN INCHES.



3-DIMENSIONAL MODEL NTS

METRIQ

DO NOT SCALE PRINT. UNLESS SPECIFIED DIMENSIONS IN INCHES		DR K. WHITMER 12-3-90	CHK R. SWINE 12-3-90	APPD G. CASI 12-3-90	PRODCT SPEC	FINISH
MATERIAL NYLON UL 94V-2 NATURAL		APPLICAITON SPEC		WEIGHT		
AMP Incorporated MORTONBORO, PA 17105-3608		NAME POSITIVE LOCK, 4 CIRCUIT, COMMERCIAL PIN AND SOCKET		SIZE D 00779	DRAWING NO 770810	PART NO 770810-1
SCALE 4:1		SHEET 1 OF 1		CUSTOMER DRAWING		

单击下面可查看定价，库存，交付和生命周期等信息

[>>TE Connectivity\(泰科\)](#)