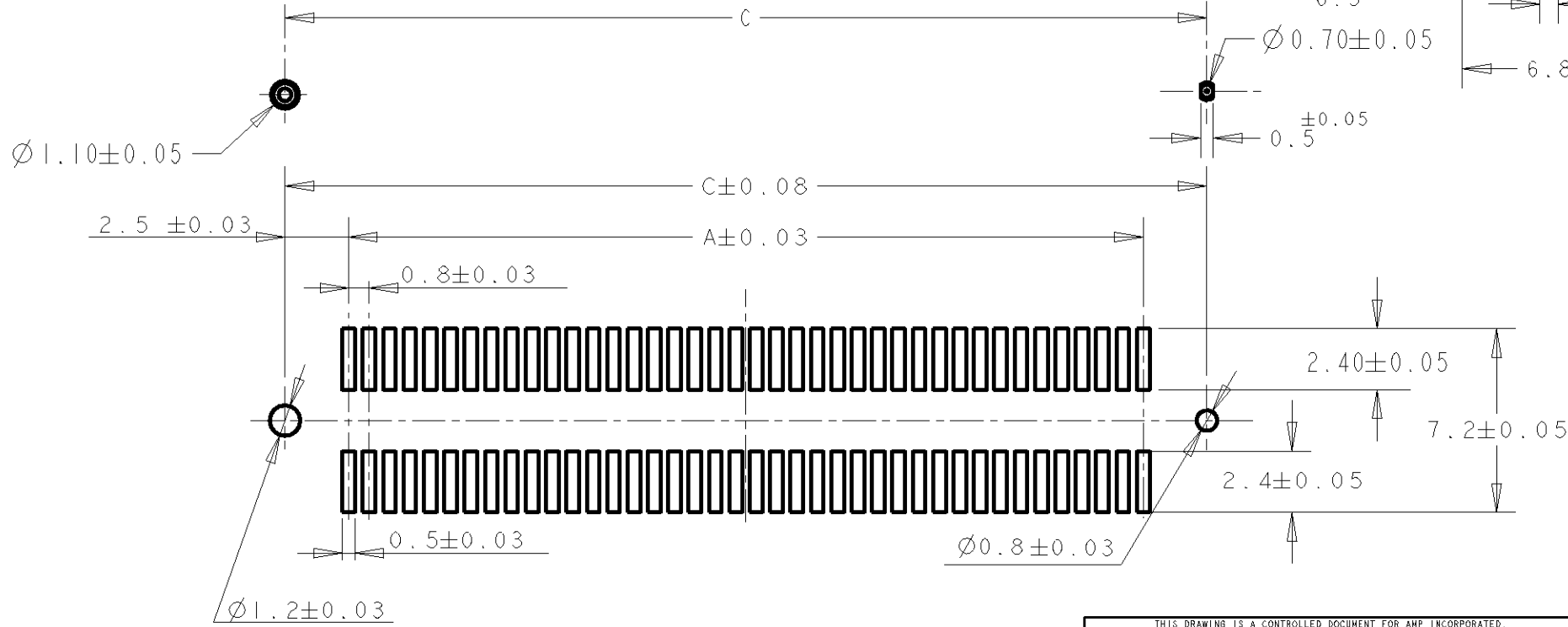
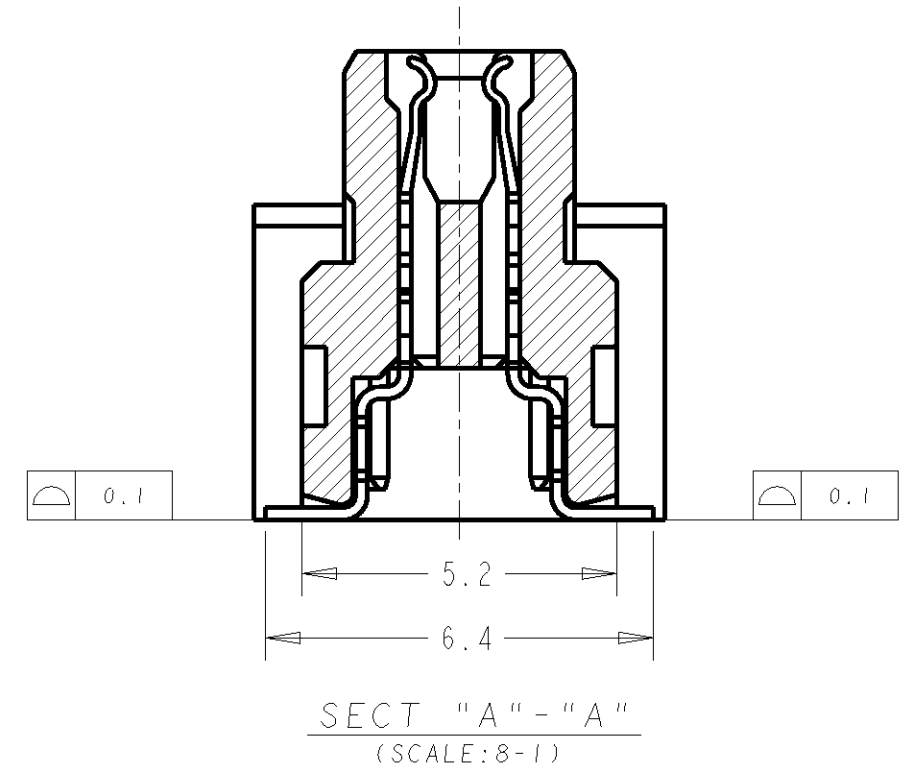
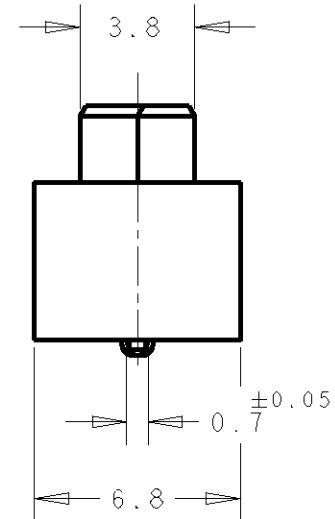
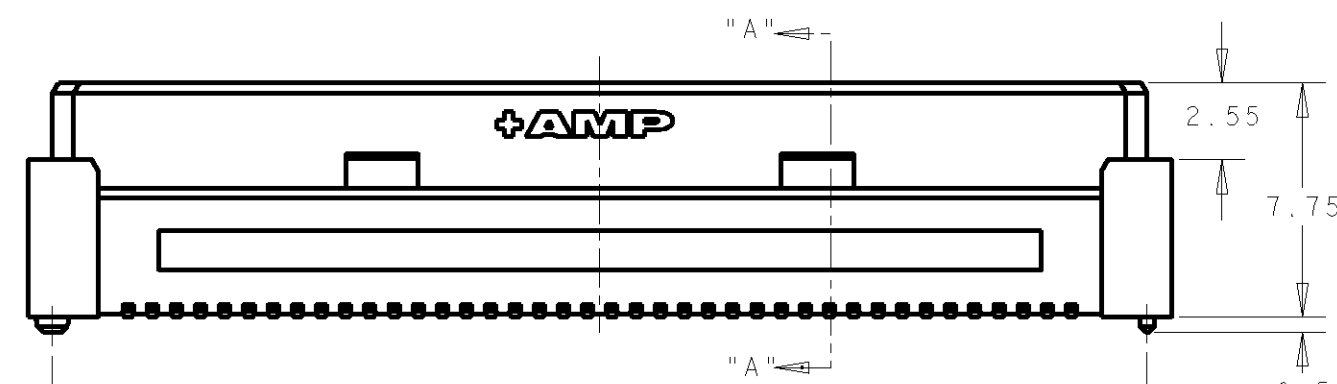
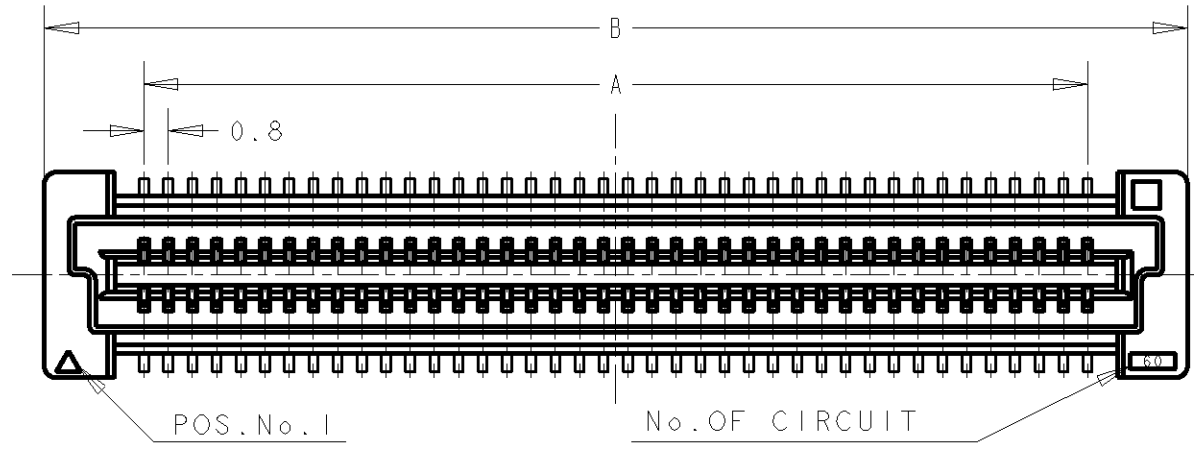


THIS DRAWING IS UNPUBLISHED. RELEASED FOR PUBLICATION .19
 © COPYRIGHT 19 BY AMP INCORPORATED. ALL RIGHTS RESERVED.

LOC	DIST	REVISIONS			
P	LTR	DESCRIPTION	DATE	DWN	APVD
DY	-	01 REVISED PER ECR-06-029208	14DEC06	SYJ	LSF



RECOMMENDED P.C. BOARD LAYOUT

NOTES;

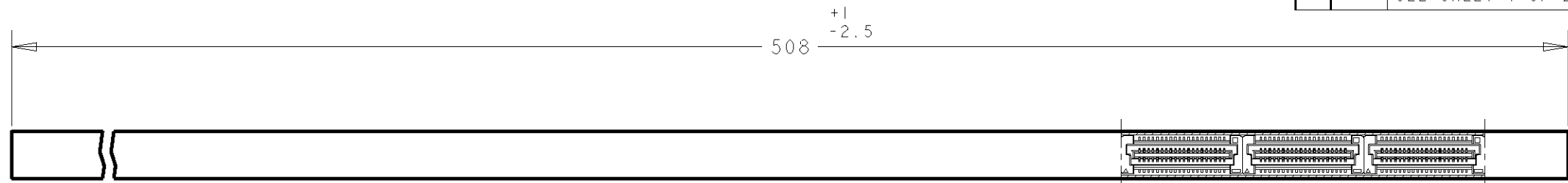
- 1. MATERIAL: HOUSING: L.C.P. (HIGH TEMP THERMO PLASTIC)
UL 94V-0, NATURAL.
CONTACT: BERYLIUM COPPER.
- 2. FINISH: CONTACT AREA: 0.00076 MIN GOLD ON
0.0013 MIN ALL OVER NICKEL.
SOLDERING AREA: 0.002 MIN MATTE-TIN.
- 3. POSITION SERIES: SEE TABLE. (SHEET 2)
- 4. CONN STACK HEIGHT COMBINE OF PLUG "Y" H VS REC "X" H.
STACK HEIGHT = Y + X - 5

P/N SEE SHEET 2 OF 2

THIS DRAWING IS A CONTROLLED DOCUMENT FOR AMP INCORPORATED. IT IS SUBJECT TO CHANGE AND THE CONTROLLING ENGINEERING ORGANIZATION SHOULD BE CONTACTED FOR THE LATEST REVISION.		DWN FLORENCE TAN	14SEP04	Tyco Electronics (Singapore) Pte. Ltd.
DIMENSIONS: mm		CHK ERIC TNG	APVD SF L FONG	
TOLERANCES UNLESS OTHERWISE SPECIFIED:		PRODUCT SPEC 108-5390		NAME RECEPTACLE ASSEMBLY 9H TYPE 30Au (0.5 BOSS LENGTH) FOR FH 0.8mm PITCH B-T-B CONNECTOR
0 PLC ± 1 PLC ±0.3 2 PLC ±0.25 3 PLC ±0.2 4 PLC ± ANGLES ±3°		APPLICATION SPEC 114-5254		
MATERIAL	FINISH	WEIGHT		SIZE A3
1	2			CAGE CODE 00779
		CUSTOMER DRAWING		DRAWING NO C-5084613
				SCALE 4:1 SHEET 1 OF 2 REV 01

THIS DRAWING IS UNPUBLISHED. RELEASED FOR PUBLICATION .19 .
 © COPYRIGHT 19 BY AMP INCORPORATED. ALL RIGHTS RESERVED.

LOC	DIST	REVISIONS					
DY	-	P	LTR	DESCRIPTION	DATE	DWN	APVD
				- SEE SHEET 1 OF 2	-	-	-

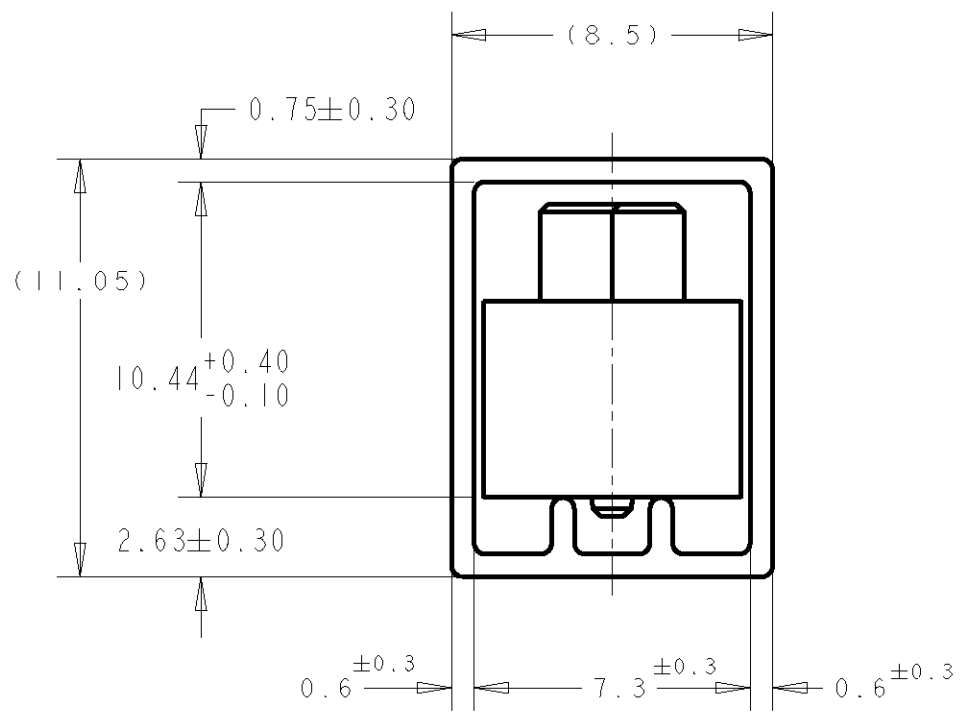
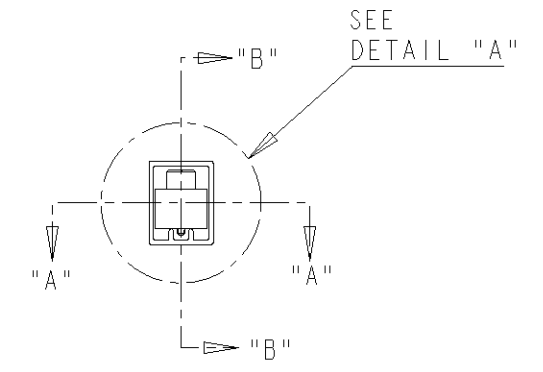


SECT "A" - "A"



REC ASS'Y (H=9mm), 0.8mm BTB STACKING CONN

SECT "B" - "B"



DETAIL "A"
(SCALE 5-1)

AVAILABLE	84.20	85.80	79.20	200	1-	-0
	76.20	77.80	71.20	180		-9
	68.20	69.80	63.20	160		-8
	60.20	61.80	55.20	140		-6
	52.20	53.80	47.20	120		-5
	44.20	45.80	39.20	100		-4
	36.20	37.80	31.20	80		-3
	28.20	29.80	23.20	60		-2
20.20	21.80	15.20	40			
STATUS	C	B	A	POS.	PART No. 5084613-1	

THIS DRAWING IS A CONTROLLED DOCUMENT FOR AMP INCORPORATED. IT IS SUBJECT TO CHANGE AND THE CONTROLLING ENGINEERING ORGANIZATION SHOULD BE CONTACTED FOR THE LATEST REVISION.		DWN FLORENCE TAN	14SEP04		tyco Electronics	Tyco Electronics (Singapore) Pte. Ltd.		
DIMENSIONS: mm		CHK ERIC TNG	APVD SF L FONG			NAME RECEPTACLE ASSEMBLY 9H TYPE 30Au (0.5 BOSS LENGTH) FOR FH 0.8mm PITCH B-T-B CONNECTOR		
TOLERANCES UNLESS OTHERWISE SPECIFIED: 0 PLC ±- 1 PLC ±0.3 2 PLC ±0.25 3 PLC ±0.2 4 PLC ±- ANGLES ±3°		PRODUCT SPEC 108-5390		APPLICATION SPEC 114-5254		SIZE A3	CAGE CODE 00779	DRAWING NO. 5084613
MATERIAL 1		FINISH 2		WEIGHT -		CUSTOMER DRAWING		
						SCALE 4:1	SHEET 2 OF 2	REV 01

单击下面可查看定价，库存，交付和生命周期等信息

[>>TE Connectivity\(泰科\)](#)