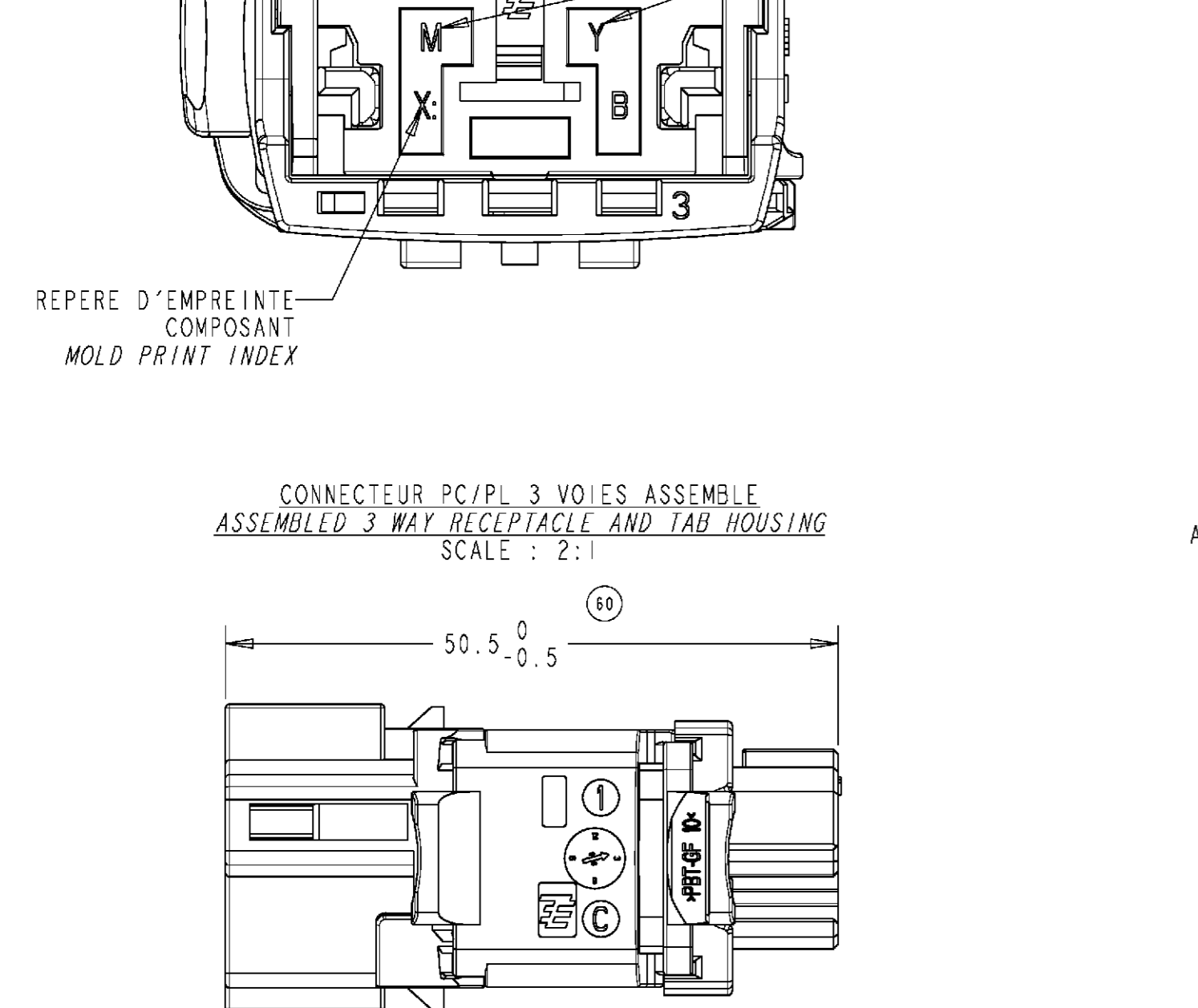
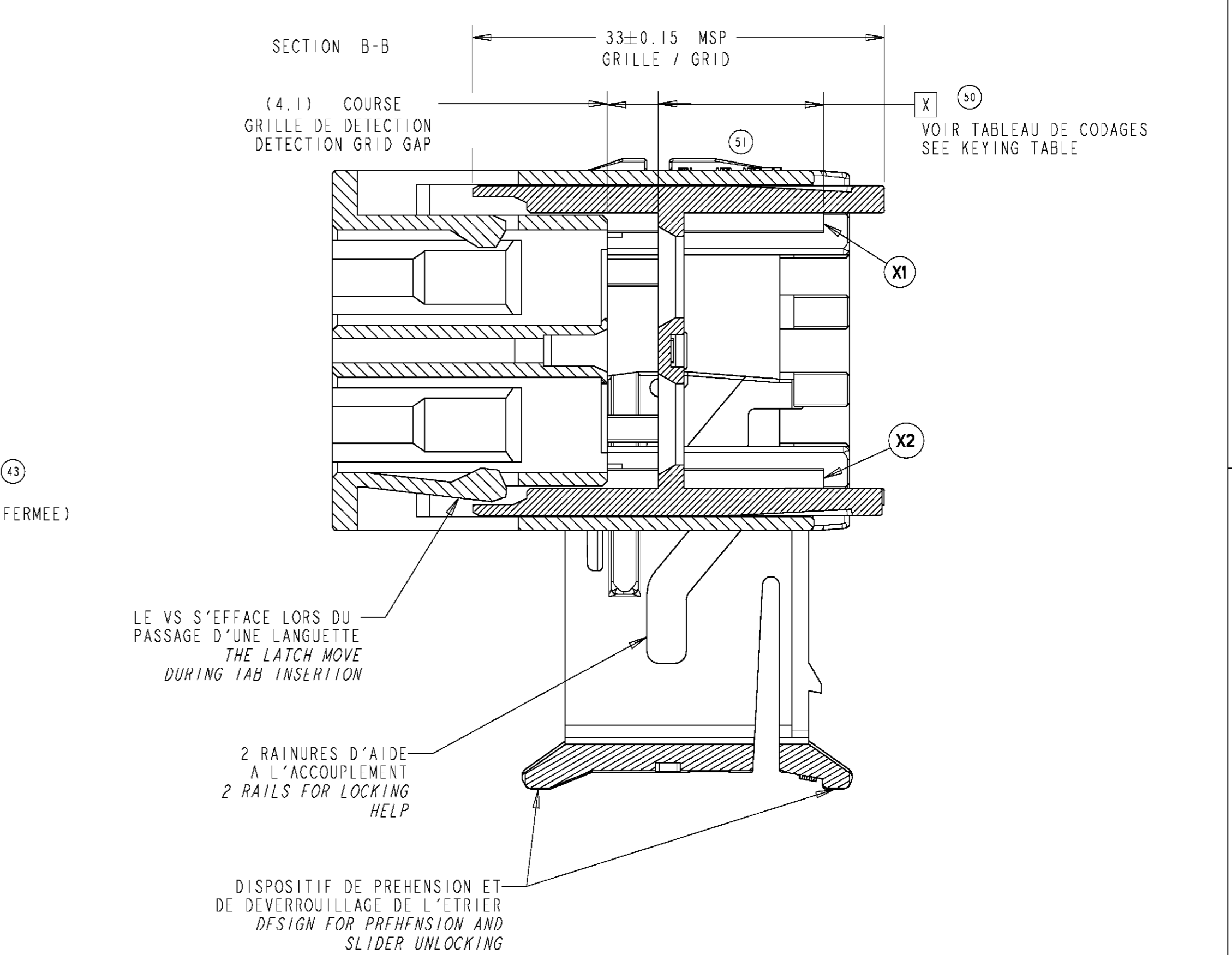
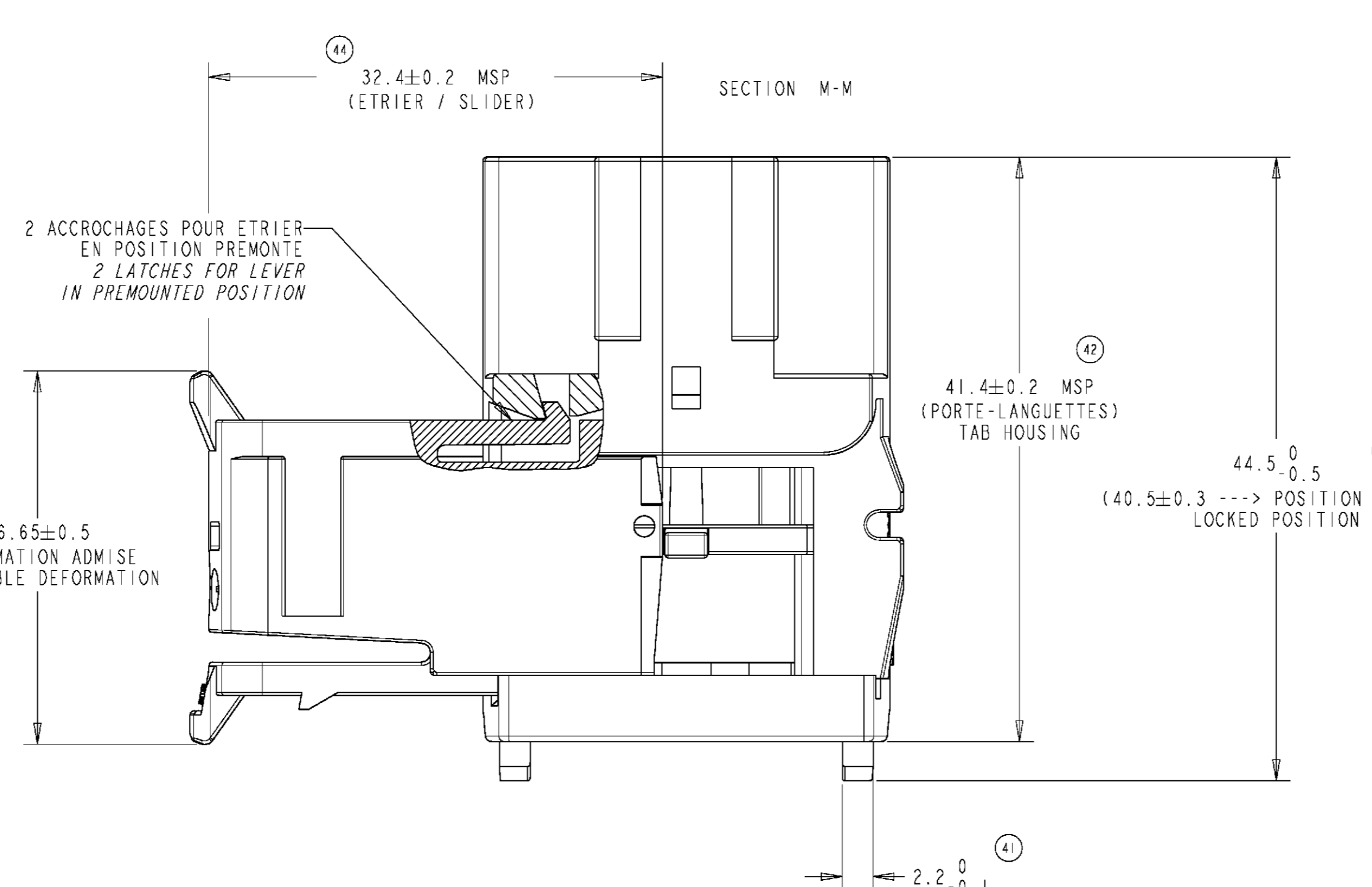
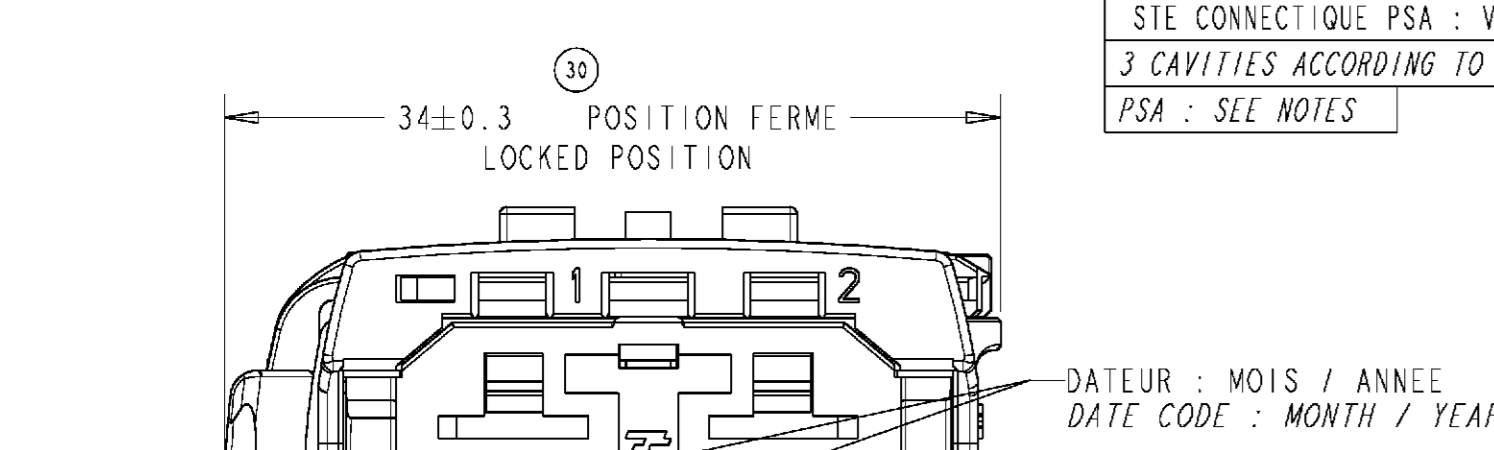
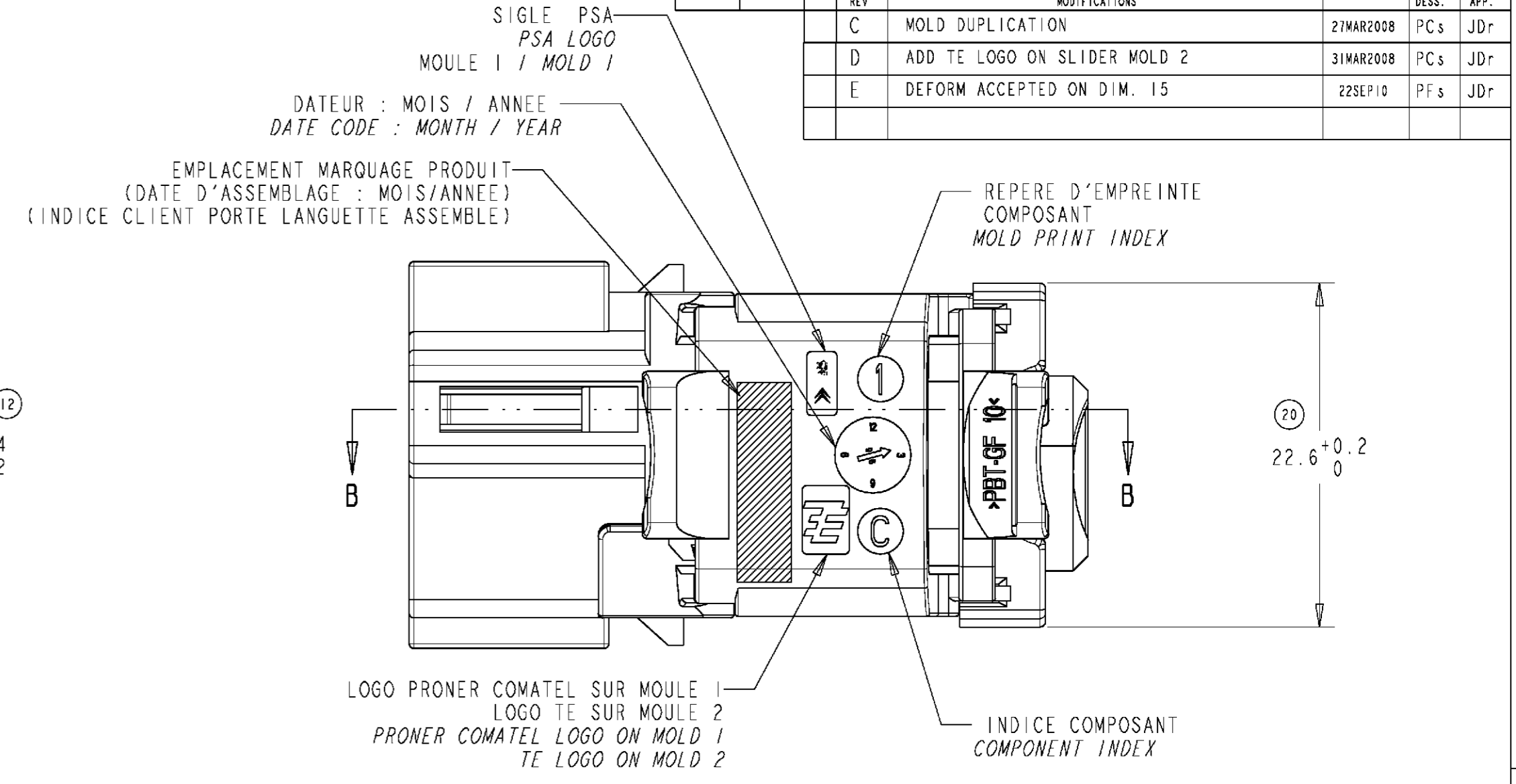
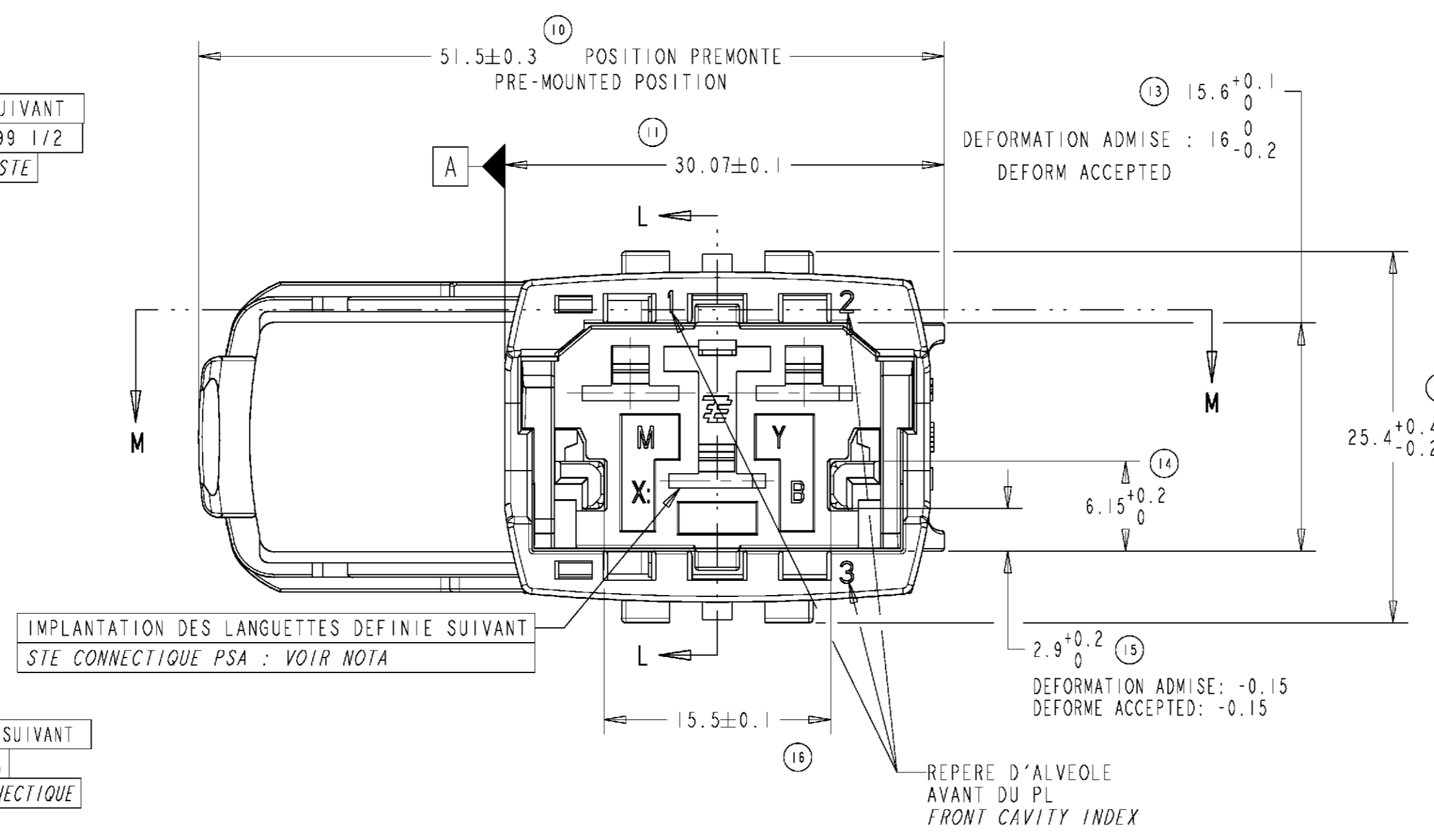
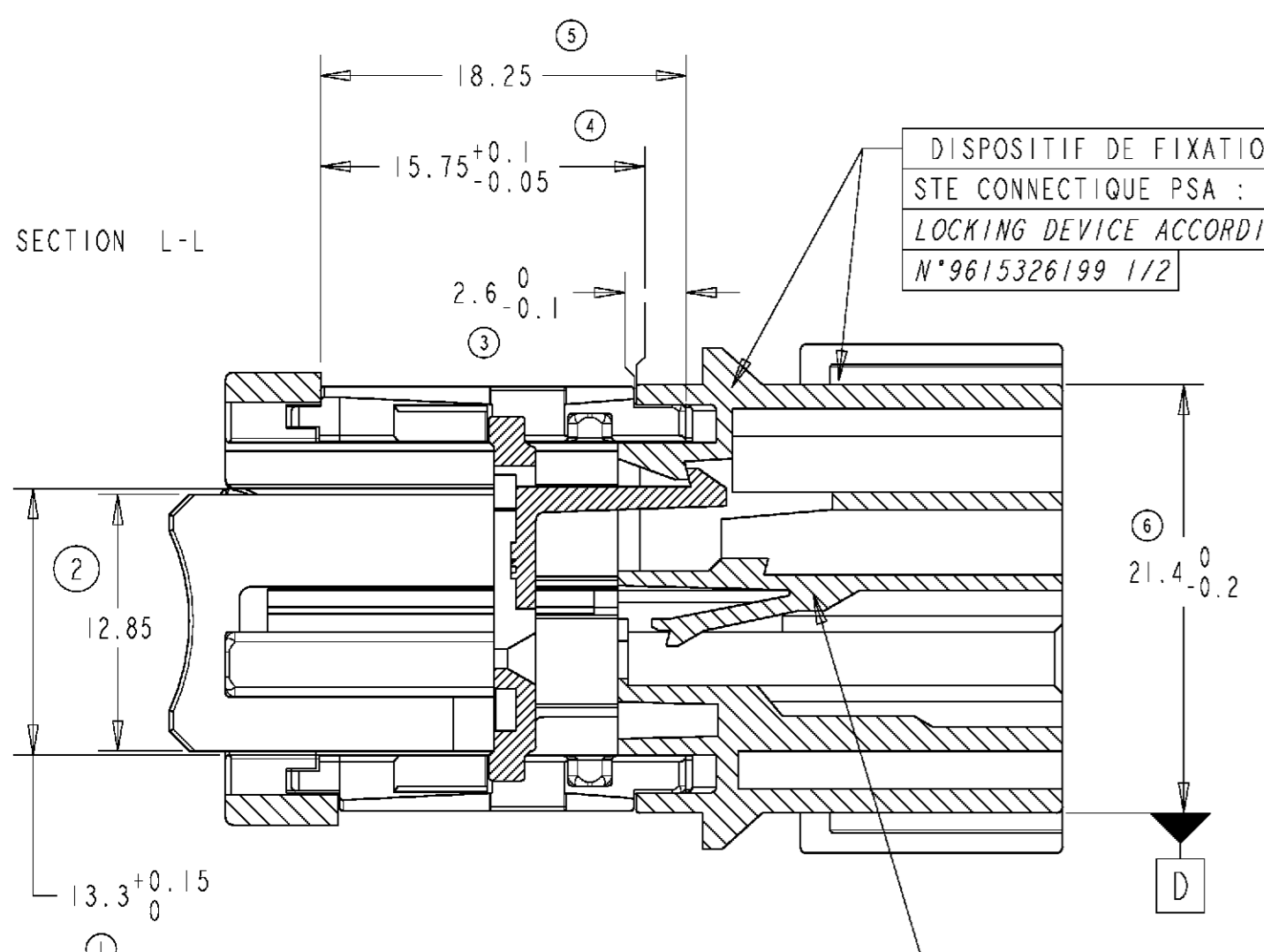
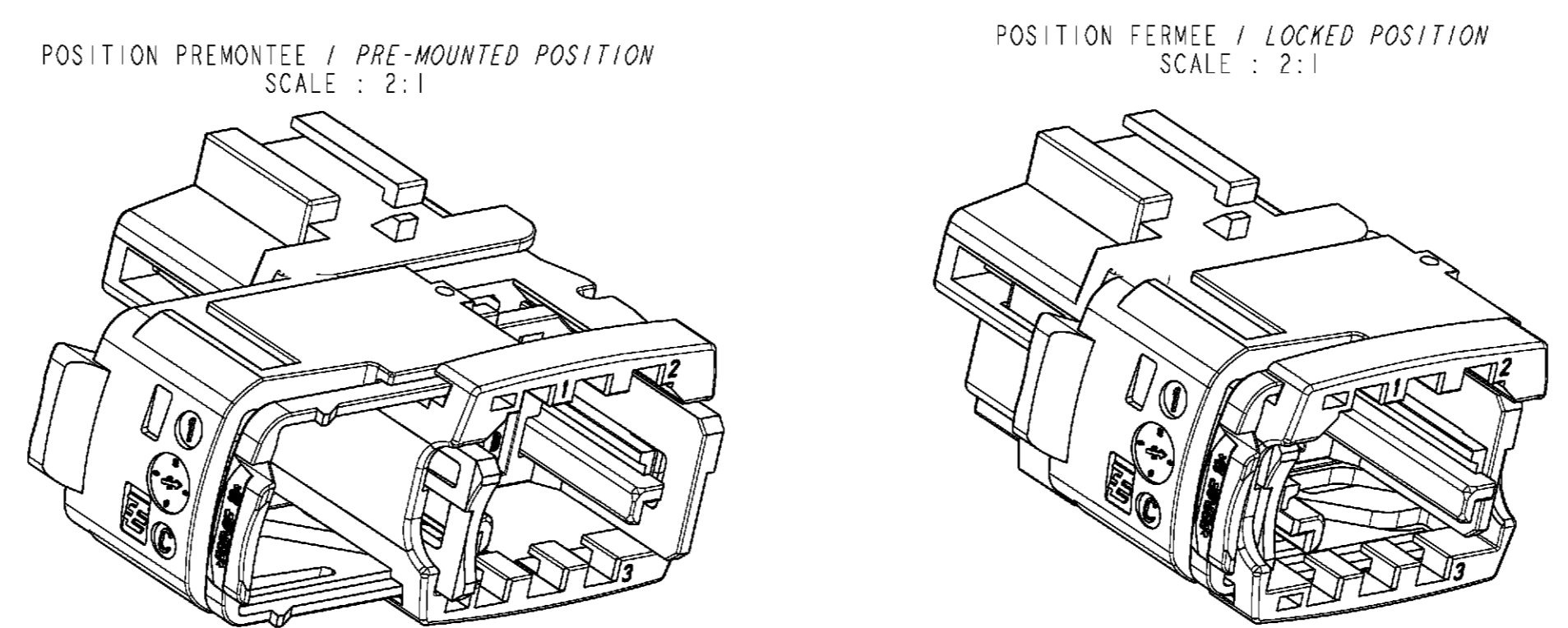


REVISONS		DATE	DWN	APPV
REV	DESCRIPTION		DES.	
C	MOLD DUPLICATION	21MAR2008	PCS	JDF
D	ADD TE LOGO ON SLIDER MOLD 2	31MAR2008	PCS	JDF
E	DEFORM ACCEPTED ON DIM. 15	22SEP10	PF S	JDF



REFERENCES ET CODAGES COULEURS ASSOCIES PART REFERENCES AND COLOR KEYING ASSOCIATED			
1544226-1	1544226-3	1544226-2	TE REFERENCE
NOIR : COTE X1 = 17.5 ⁰ / _{-0.2} BLACK COTE X2 = 17.5 ⁰ / _{-0.2}	VERT : COTE X1 = 17.5 ⁰ / _{-0.2} GREEN COTE X2 = 17.5 ⁰ / _{-0.2}	BLEU : COTE X1 = 17.5 ⁰ / _{-0.2} BLUE COTE X2 = 17.5 ⁰ / _{-0.2}	COULEUR COLOR
			POSITION DES CODAGES KEYING POSITION DETAIL



NOTA / NOTES:
 - MSP : COTES SUIVIES EN MSP / DIMENSIONS FOLLOWED BY SPC
 - CDC CONNECTIQUE PSA : 96306034-99 / PSA PRODUCT SPECIFICATION: 96306034-99
 - () : COTES POUR INFORMATION / DIMENSIONS FOR INFORMATION ONLY

DESIGNATION DESIGNATION	TE PN	COULEUR COLOR	MATIERE MATERIAL
PORTE LANGUETTE ASSEMBLE TAB HOUSING ASSEMBLED	1544226-1	NOIR / BLACK	PBT 10% FV V0
	1544226-2	BLEU / BLUE	
	1544226-3	VERT / GREEN	
GRILLE DE DETECTION DETECTION GRID	-	JAUNE / YELLOW	PBT 10% FV V0
ETRIER 3 VOIES SLIDER	-	ROUGE / RED	PBT 10% FV V0
LANGUETTE 6.35NGI 6.35NGI TAB	1544218-1	PROTECTION / PLATING Sn 0.8µm alto 1.5µm	Cu Sn Mg

TYCO ELECTRONICS CORPORATION
 11111 W. BROADWAY, CHAMBERY, FRANCE
 TEL: +33 (0)4 78 38 38 38 FAX: +33 (0)4 78 38 38 39
 WWW.TYCOELECTRONICS.COM

OWN PREPARED BY: L. CORONELLI
 DATE: 27JAN2006
 APPROVED BY: P. FLORES
 DATE: 27JAN2006

TYCO ELECTRONICS
 Tyco Electronics France SAS
 517, Av. de la Boisse, 73000 Chambery

DESIGNATION: PORTE LANGUETTES 3 VOIES 6.35NGI
 3 WAY TAB HOUSING 6.35NGI

SCALE: 2:1

WEIGHT: APPROX. 20 g

CUSTOMER DRAWING / PLAN CLIENT

单击下面可查看定价，库存，交付和生命周期等信息

[>>TE Connectivity\(泰科\)](#)