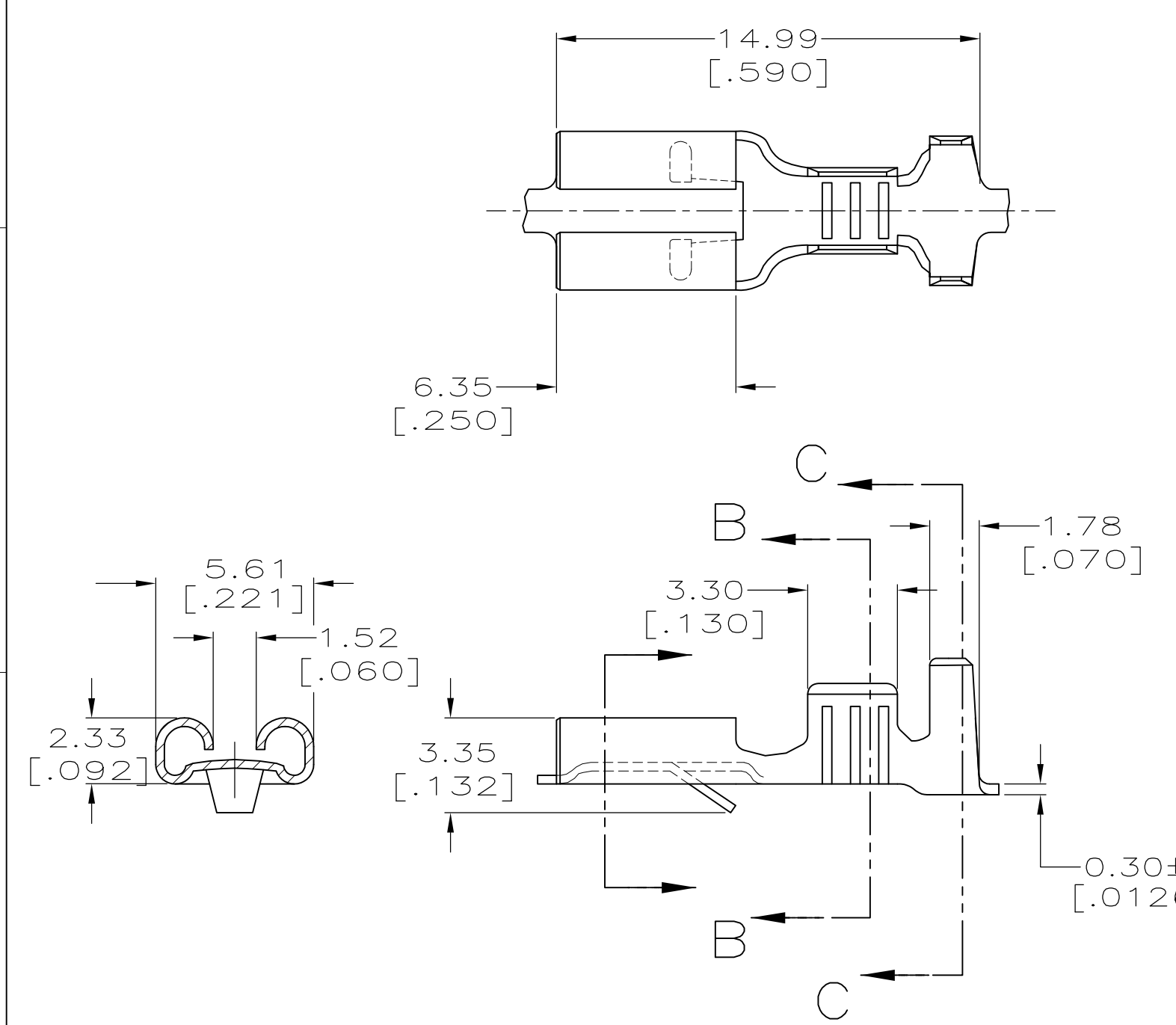
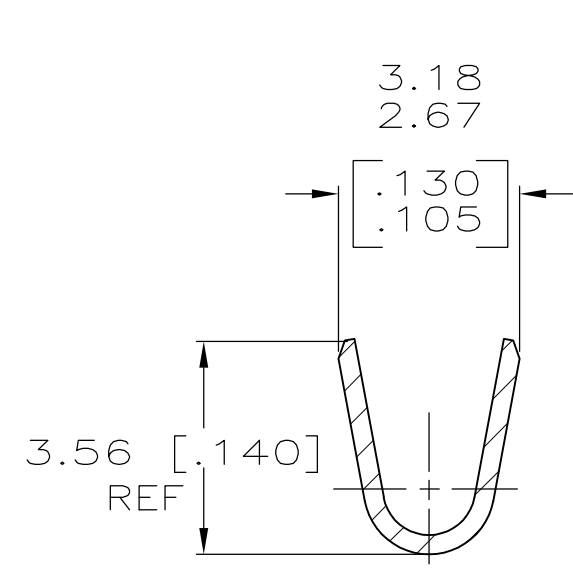


THIS DRAWING IS UNPUBLISHED. RELEASED FOR PUBLICATION
 © COPYRIGHT - By - ALL RIGHTS RESERVED.

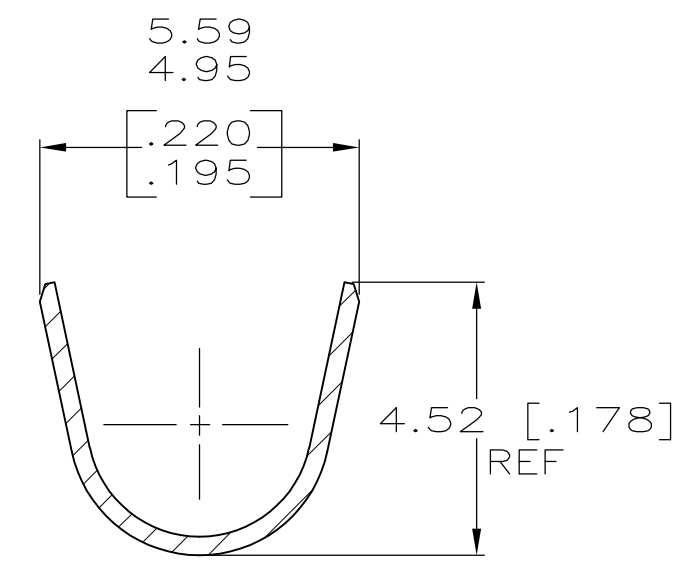
LOC	DIST	REVISIONS			
P	LTR	DESCRIPTION	DATE	DWN	APVD
AF	50	C	REVISED PER ECR-13-005733	22AUG2013	KH PD



- 1 CONTINUOUS STRIP ON REELS.
- 2 WIRE SIZE IS [#18-#14] AWG.
- 3 INSULATION RANGE IS 2.79-4.06 [.110-.160] DIA.
- 4 MATING TAB THK IS 0.51±0.025 [.020±.001]



SECTION B-B
SCALE 8:1



SECTION C-C
SCALE 8:1

1217150-1
PART NO.

THIS DRAWING IS A CONTROLLED DOCUMENT.		DWN	JR RUTH	6MAY99	 TE Connectivity	NAME					
DIMENSIONS: mm [INCHES]		CHK	MS FEHER	6MAY99		RECEPTACLE, FASTIN-FASTON, 4.75 [.187] SERIES					
TOLERANCES UNLESS OTHERWISE SPECIFIED:		APVD	S HEADER	6MAY99		PRODUCT SPEC					
0 PLC ± - 1 PLC ± - 2 PLC ± 0.25 [.010] 3 PLC ± - 4 PLC ± - ANGLES ± -		APPLICATION SPEC		SIZE							
MATERIAL	BRASS	FINISH	TIN	WEIGHT	-	CAGE CODE	A300779	DRAWING NO	C-1217150	RESTRICTED TO	-
CUSTOMER DRAWING						SCALE	5:1	SHEET	1 OF 1	REV	C

单击下面可查看定价，库存，交付和生命周期等信息

[>>TE Connectivity\(泰科\)](#)