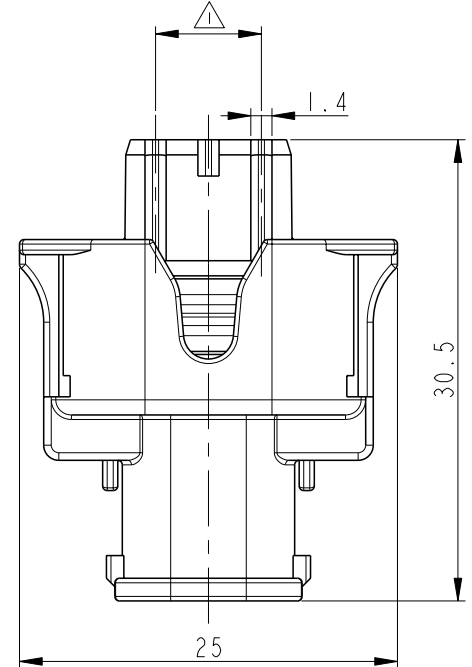
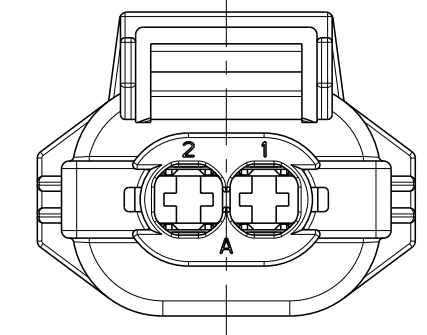
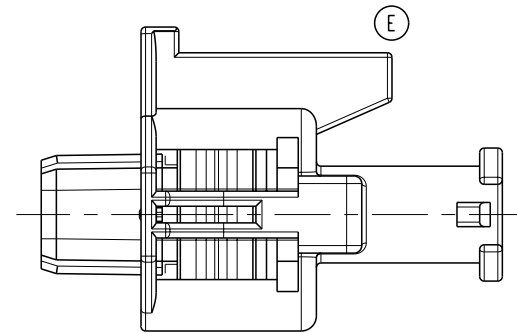
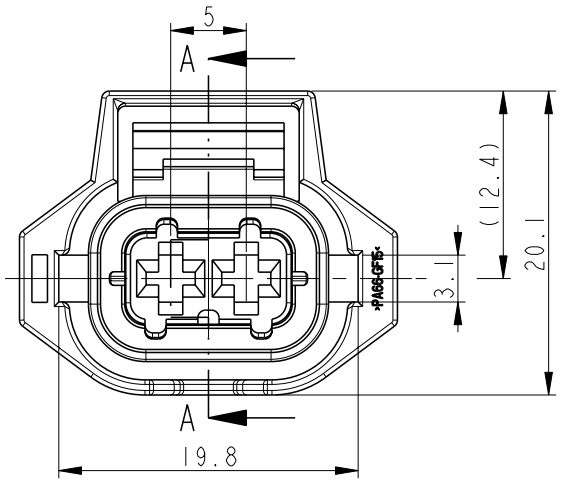
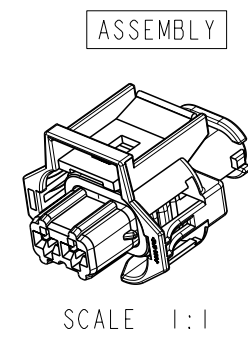
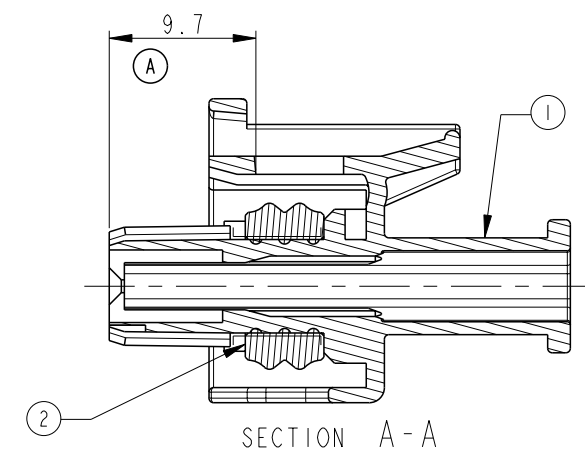
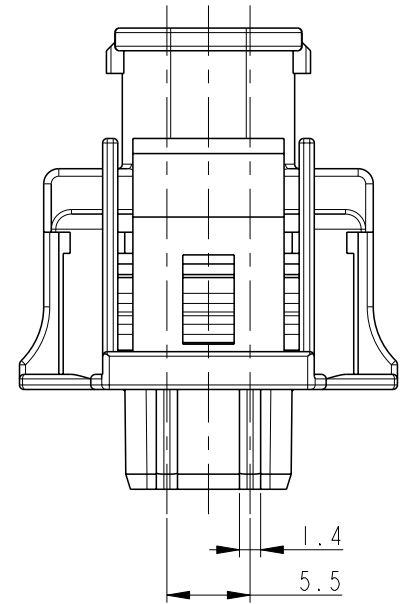


REVISIONS				
P	LTR	DESCRIPTION	DATE	APVD
H1		REVISED(ECR-19-000557)	11JAN2019	SY YJ
H2		REVISED(ECR-19-008472)	29MAY2019	SY YJ
H3		REVISED(ECR-20-007016)	15MAY2020	JS YJ
H4		REVISED(ECR-20-007330)	21MAY2020	JS YJ



NOTE
 1. CODING IS AS FOLLOWS: SEE TABLE I
 2. 0.15 MAX. WARPAGE AND 0.2 MAX. FLASH ARE PERMISSIBLE
 3. SURFACE DEFECTS ARE NOT ACCEPTABLE AS FOLLOWS: SINK, WELD LINES, HIRCRACKS, STAINS & SCORES
 4. APPLIED RECEPTABLE CONTACT P/N:

DESCRIPTION	2.8mm SENSOR-FLAT RECEPTACLE	
PART NO.	967542	967543
WIRE SIZE (mm)	(H2)(H1)0.5 ~ 1.0	1.25 ~ 2.5

5. APPLIE WIRE SEAL P/N:

DESCRIPTION	SINGLE WIRE SEAL (5mm HOLE)	
PART NO.	828904	(H4) 828905
INSULATION DIA. (∅)	1.2 ~ 2.1mm	2.2 ~ 3.0mm

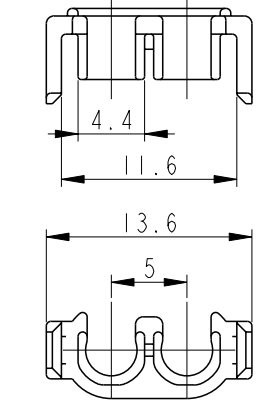
[TABLE I] (SCALE 1:1)

CODE I	CODE II
(H1) CODE I : 0-936059-1	(C) CODE II : 1-936059-1
(G2) CODE I : 0-936059-2	(F) CODE II : 1-936059-3
(G2) CODE I : 0-936059-3	(F) CODE II : 1-936059-3

(G) CODE III : 2-936059-1	CODE IV : T.B.D.

ACCESSORIES DRAWING

(G1) 1. DBL HSG : P/N:936103

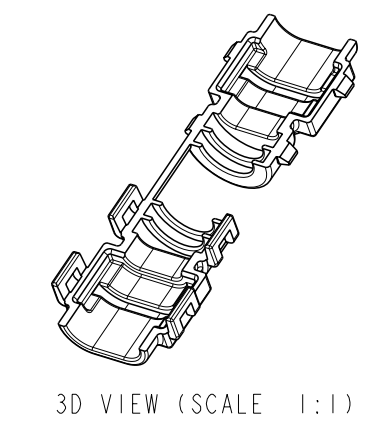
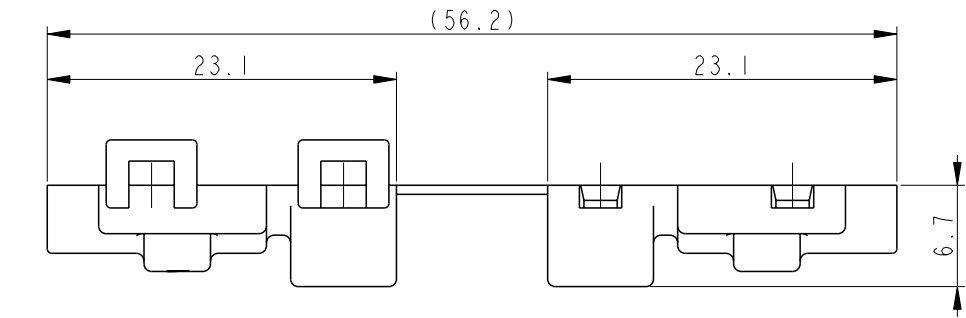


NOTE
 (G1) 1. MATERIAL: PBT



(G1) 2. COVER HSG : P/N:936111

NOTE
 (G1) 1. MATERIAL: PA66
 2. CORRUGATOR DIAMETER : ∅7.0



	Q'TY	P/N	DESCRIPTION	MATERIAL	COLOR/FINISH	NO.
(F) I	I	936800-3	INNER SEAL	SILICONE	SIGNAL GRAY	2
(D)		936800-2	INNER SEAL	SILICONE	ULTRAMARINE BLUE	2
		936800-1	INNER SEAL	SILICONE	RED ORANGE	2
(G) I		3-936102-1	PLUG HSG	PA66 GF15	BLACK	1
(G) I		2-936102-1	PLUG HSG	PA66 GF15	BLACK	1
(F) I		1-936102-3	PLUG HSG	PA66 GF15	DARK GRAY	1
		1-936102-1	PLUG HSG	PA66 GF15	BLACK	1
(G2) I		936102-3	PLUG HSG	PA66 GF15	GRAY	1
		936102-1	PLUG HSG	PA66 GF15	BLACK	1

ASS'Y P/N	3-936059-1 (G)	THIS DRAWING IS A CONTROLLED DOCUMENT.	DWN JM JEON	TE Connectivity 2.8mm SELAED 2P PLUG ASSEMBLY (FLAT SENSOR CONNECTOR)
	2-936059-1 (G)		CHK JW JUNG	
	1-936059-3 (F)		APVD HG CHO	
	1-936059-1 (C/D)		PRODUCT SPEC	
936059-3 (G2)			APPLICATION SPEC	114-18144
936059-2 (B)			WEIGHT	-
936059-1			CUSTOMER DRAWING	SCALE 2:1 SHEET 1 OF 1 REV H4

单击下面可查看定价，库存，交付和生命周期等信息

[>>TE Connectivity\(泰科\)](#)