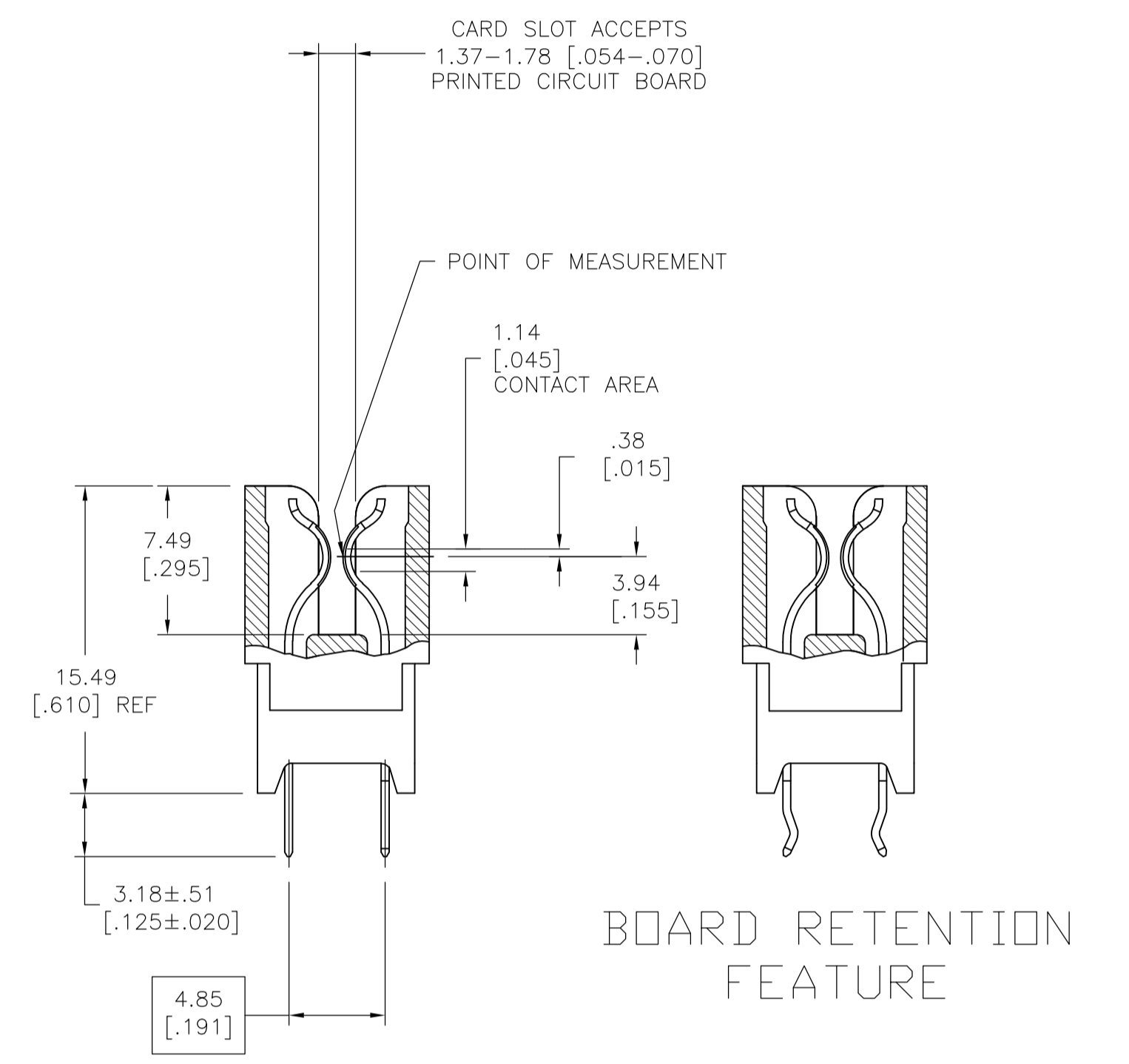
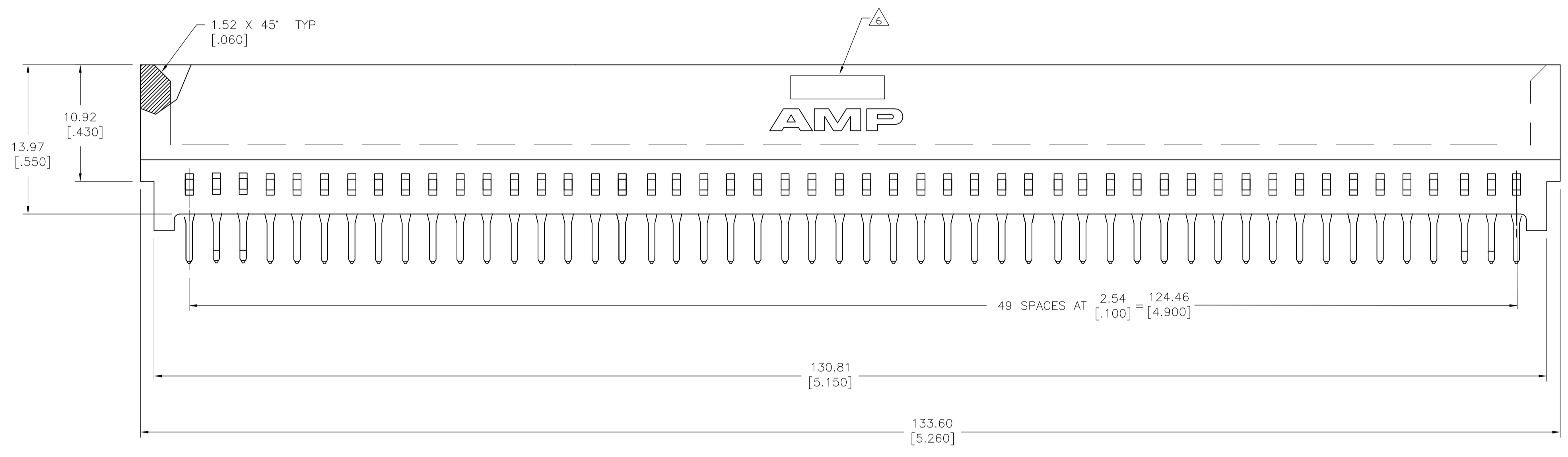
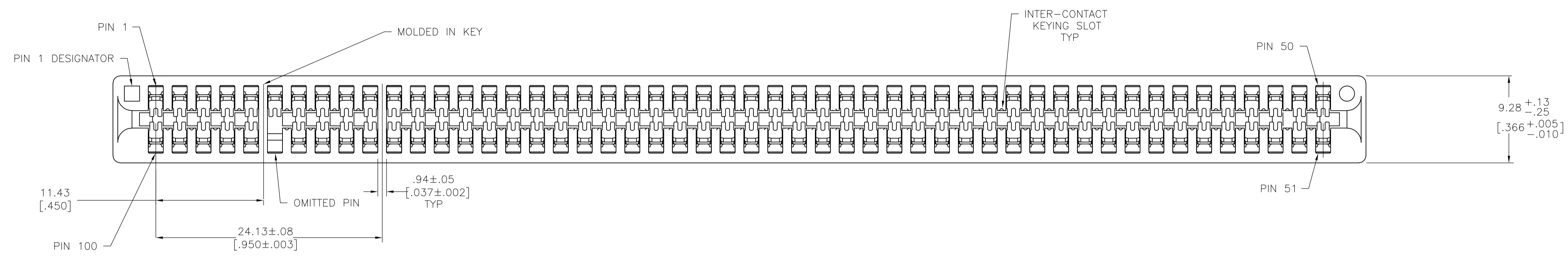


LOC		DIST		REVISIONS			
GP	00	P	LTR	DESCRIPTION	DATE	DWN	APVD
A1	REV PER	ECO-09-017748			30JULY09	RG	EH



- 1 HOUSING: GLASS FILLED POLYESTER, BLACK, IR REFLOW COMPATIBLE.
- 2 CONTACT: HIGH CONDUCTIVITY COPPER ALLOY.
- 3 NICKEL PLATE .00127  $\left[ \begin{smallmatrix} .000050 \end{smallmatrix} \right]$  MIN - ALL OVER.
- 4 MATTE TIN PLATE .00254  $\left[ \begin{smallmatrix} .000100 \end{smallmatrix} \right]$  MIN - SOLDER POSTS.
- 5 GOLD PLATE .00076  $\left[ \begin{smallmatrix} .000030 \end{smallmatrix} \right]$  MIN - MATING AREA.
- 6 AMP PART NUMBER, DATE CODE AND CSA LOGO MARKED IN APPROXIMATE AREA SHOWN, EITHER SIDE.
- 7 DATUMS AND BASIC DIMENSIONS ESTABLISHED BY CUSTOMER.
- 8 CONNECTORS SHOWN ARE USED IN APPLICATIONS WITH VRM MODULES WEIGHING 3 OUNCES AND LESS. ALTERNATE CONNECTOR AND LATCH METHOD IS AVAILABLE FOR VRM MODULES WEIGHING UP TO 6 OUNCES.

2,3,48,49,52,53,98,99	5,6 & 10,11	95	50	6658202-1
RETENTION LOCATION		MOLDED KEY LOCATE	OMITTED PIN	NO OF DUAL POSN
				PART NUMBER

THIS DRAWING IS A CONTROLLED DOCUMENT.

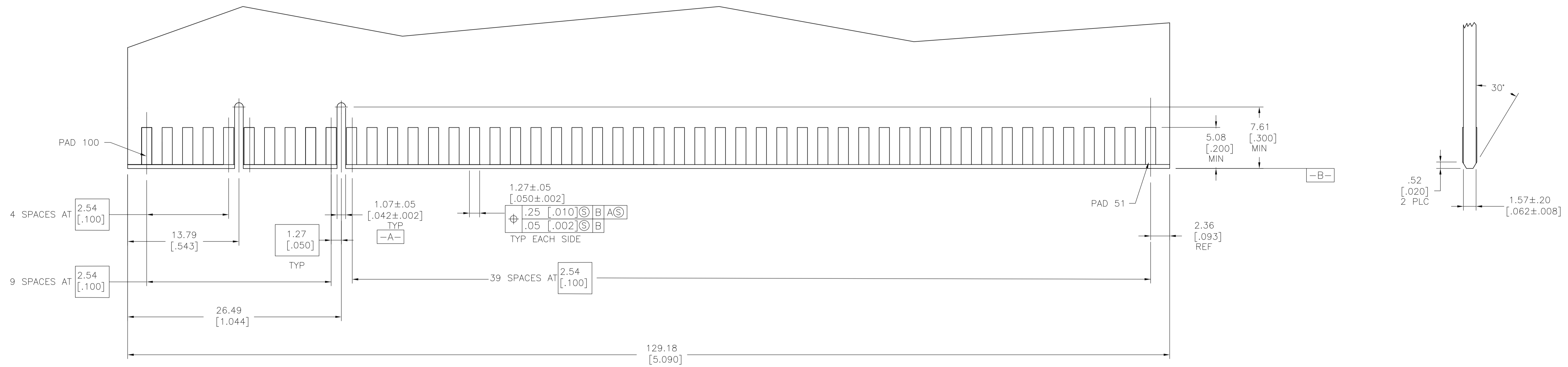
DIMENSIONS:	TOLERANCES UNLESS OTHERWISE SPECIFIED:	DIN AL FRANTUM 18 AUG 05	Tyco Electronics Corporation Middletown, PA 17057
1/16	0. PLC ± - 1. PLC ± - 2. PLC ± 0.13[.005] 3. PLC ± - 4. PLC ± - ANGLES ± °	CHK AL FRANTUM 18 AUG 05	
MATERIAL		FINISH	NAME
1 2		3 4 5	PRODUCT SPEC
CUSTOMER DRAWING		SCALE 5:1	RESTRICTED TO

CONNECTIONS: CONNECTOR ASSEMBLY, STANDARD EDGE II HIGH CURRENT DUAL POSITION, 2.54  $\left[ \begin{smallmatrix} .100 \end{smallmatrix} \right]$  CENTERLINE

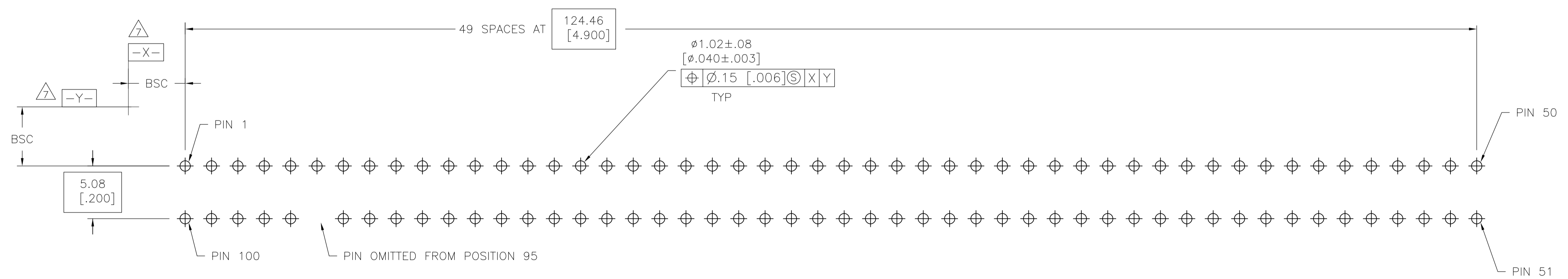
SIZE: A1 CAGE CODE: 00779 DRAWING NO: 6658202

WEIGHT: -

SHEET 1 OF 2 REV A1



RECOMMENDED MATING BOARD EDGE CONFIGURATION



RECOMMENDED PC BOARD HOLE LAYOUT

THIS DRAWING IS A CONTROLLED DOCUMENT.		DN AL FRANTUM 18 AUG 05	Tyco Electronics Corporation Middletown, PA 17057
DIMENSIONS: UN		DN AL FRANTUM 18 AUG 05	
TOLERANCES UNLESS OTHERWISE SPECIFIED:		APVD	NAME
0 PLC ± -	1 PLC ± -	PRODUCT SPEC	CONNECTOR ASSEMBLY, STANDARD EDGE II
2 PLC ± -	3 PLC ± .13 [.005]	APPLICATION SPEC	HIGH CURRENT
4 PLC ± -	ANGLES ± -	SIZE	DUAL POSITION, 2.54 [.100] CENTERLINE
MATERIAL	FINISH	WEIGHT	SCALE 5:1 SHEET 2 OF 2 REV A1
CUSTOMER DRAWING		SIZE	SCALE 5:1 SHEET 2 OF 2 REV A1

单击下面可查看定价，库存，交付和生命周期等信息

[>>TE Connectivity\(泰科\)](#)