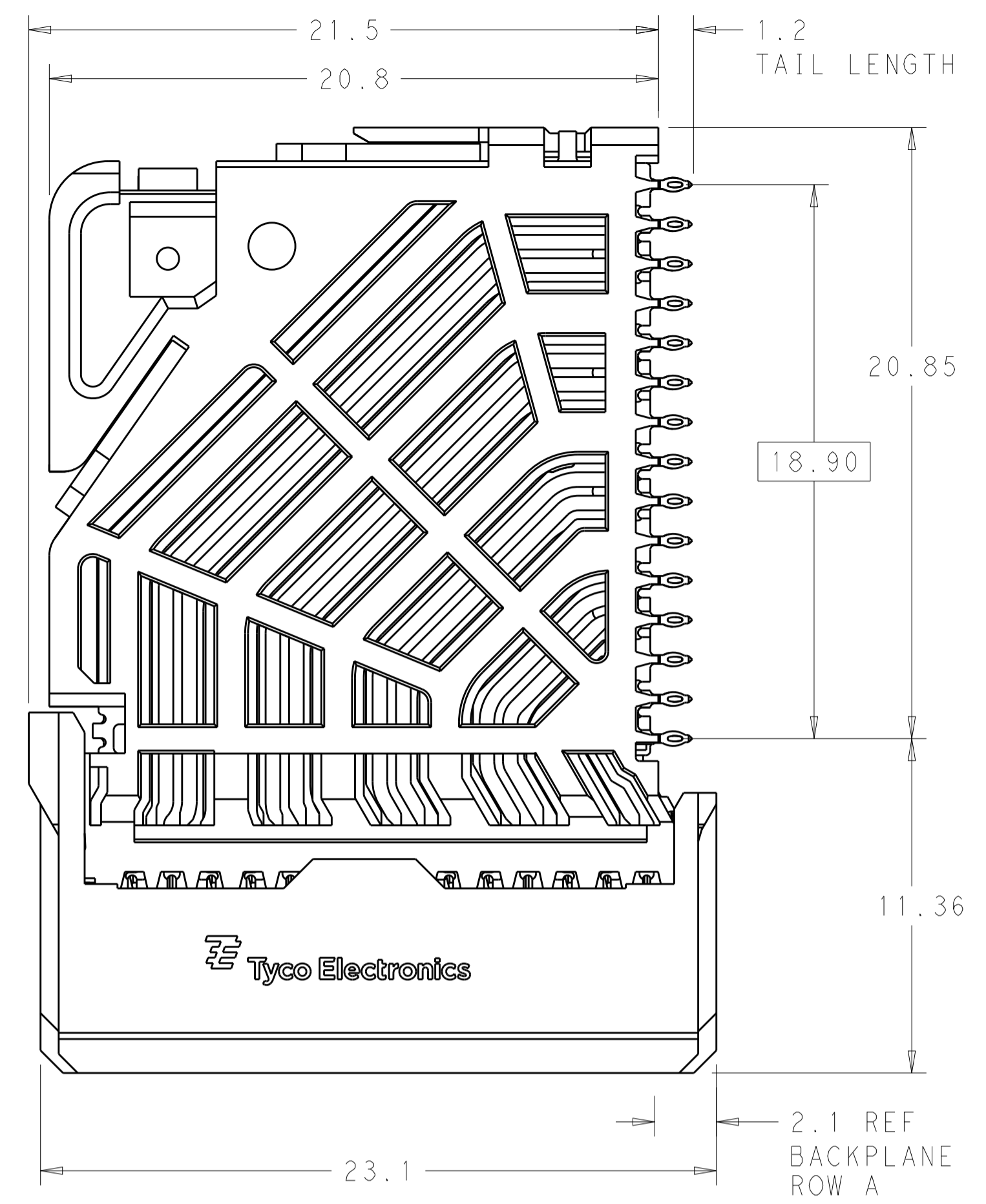
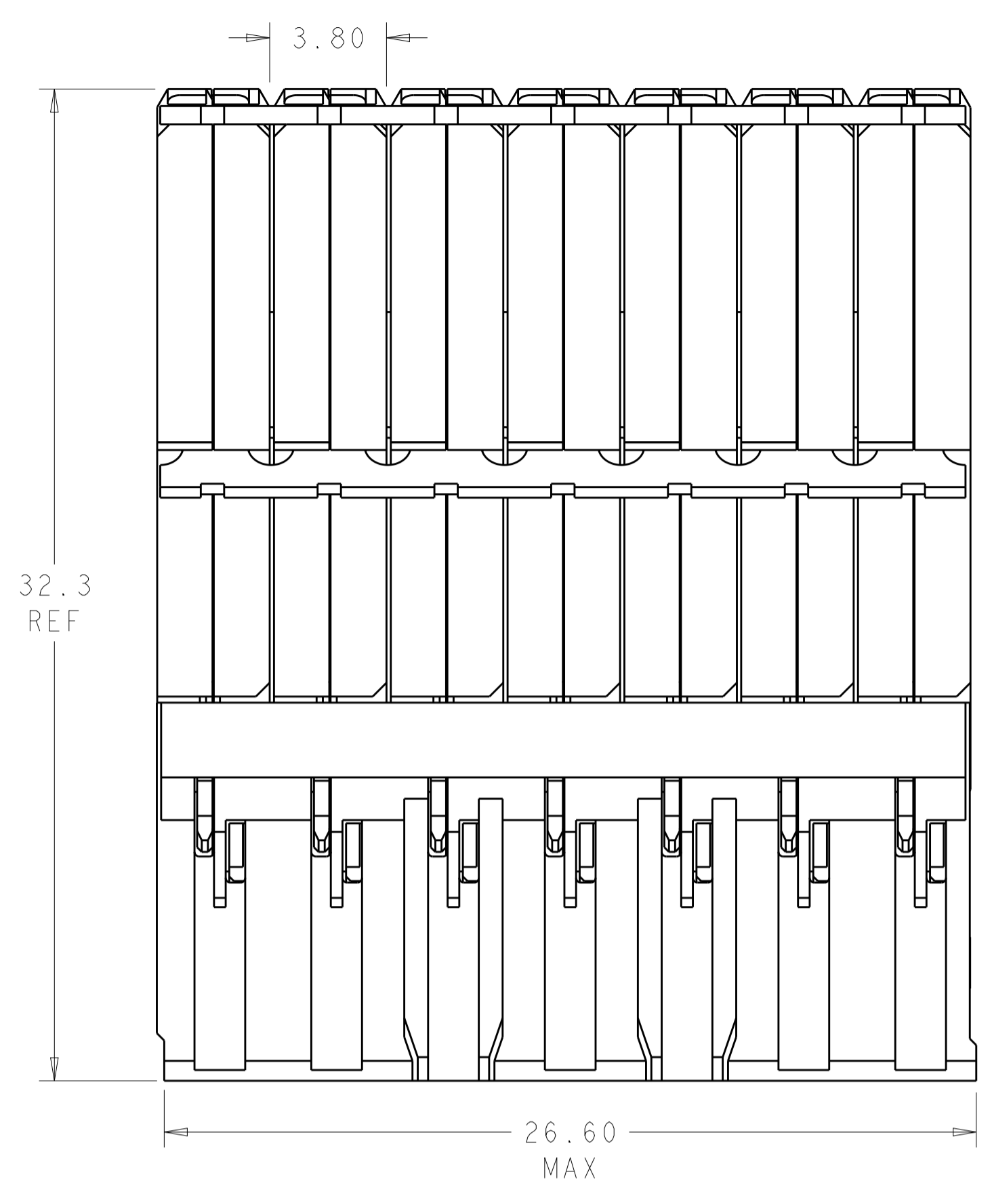
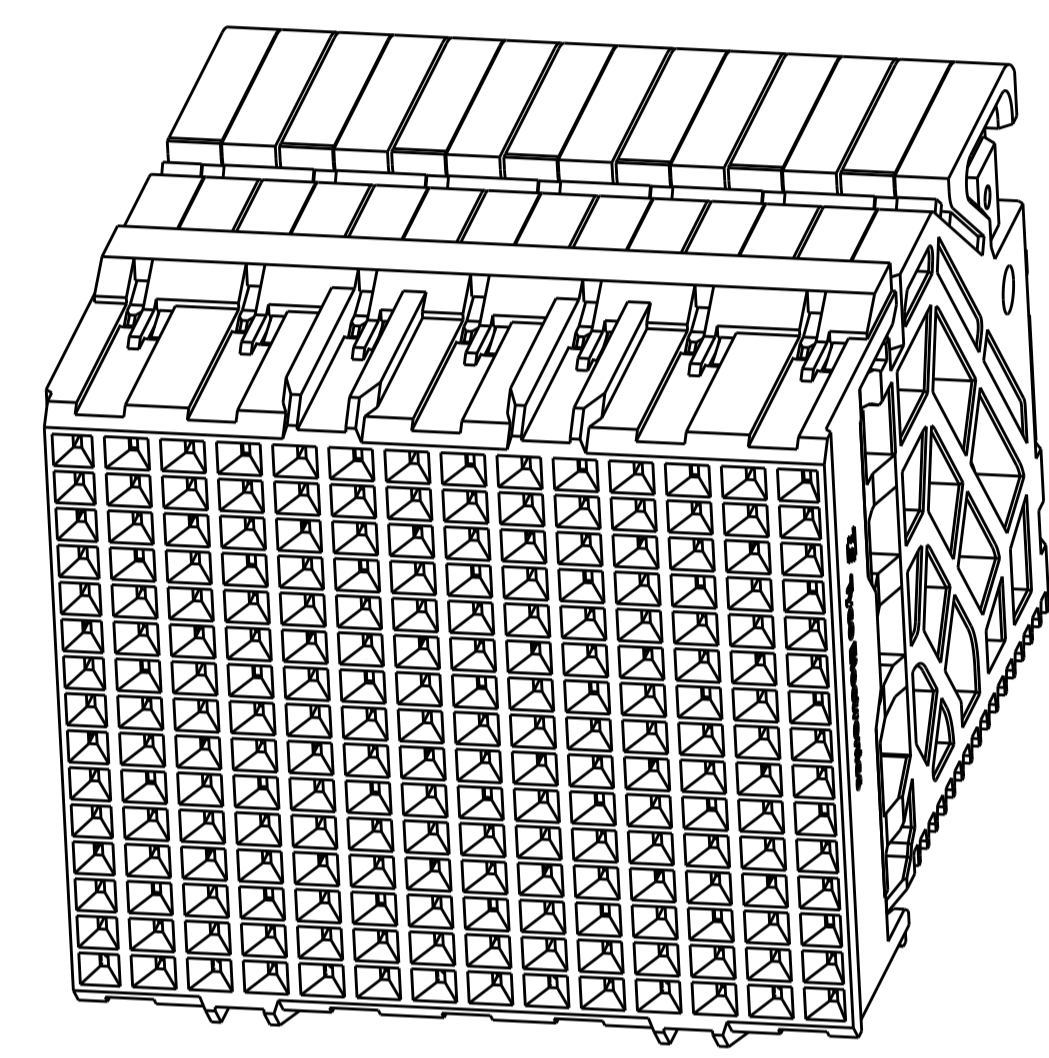


| REVISIONS | | | | |
|-----------|-----|---------------------------|-----------|----------|
| P. | LTN | DESCRIPTION | DATE | DWN APVD |
| C2 | | REVISED PER ECO-15-004915 | 10APR2015 | AP DD |

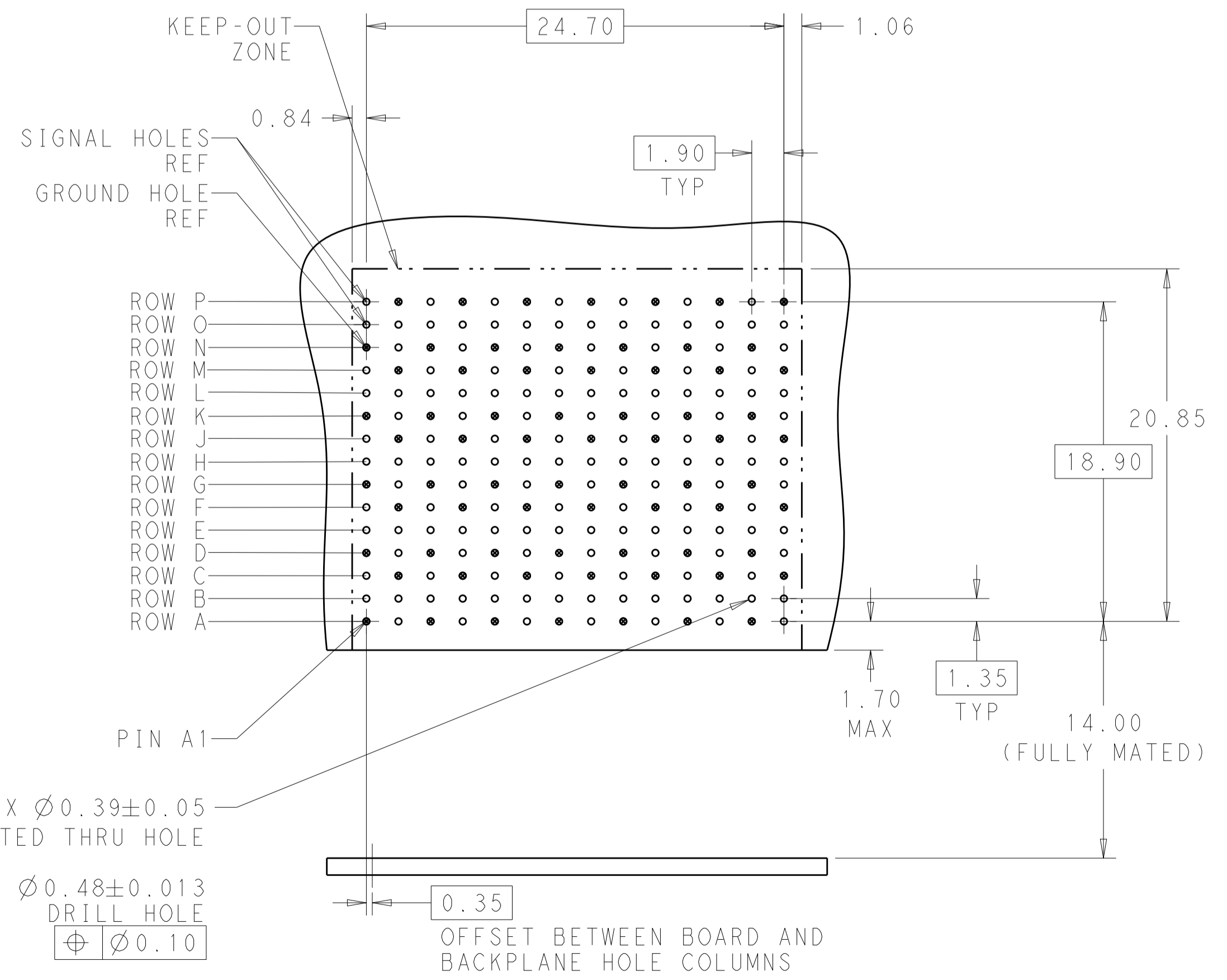
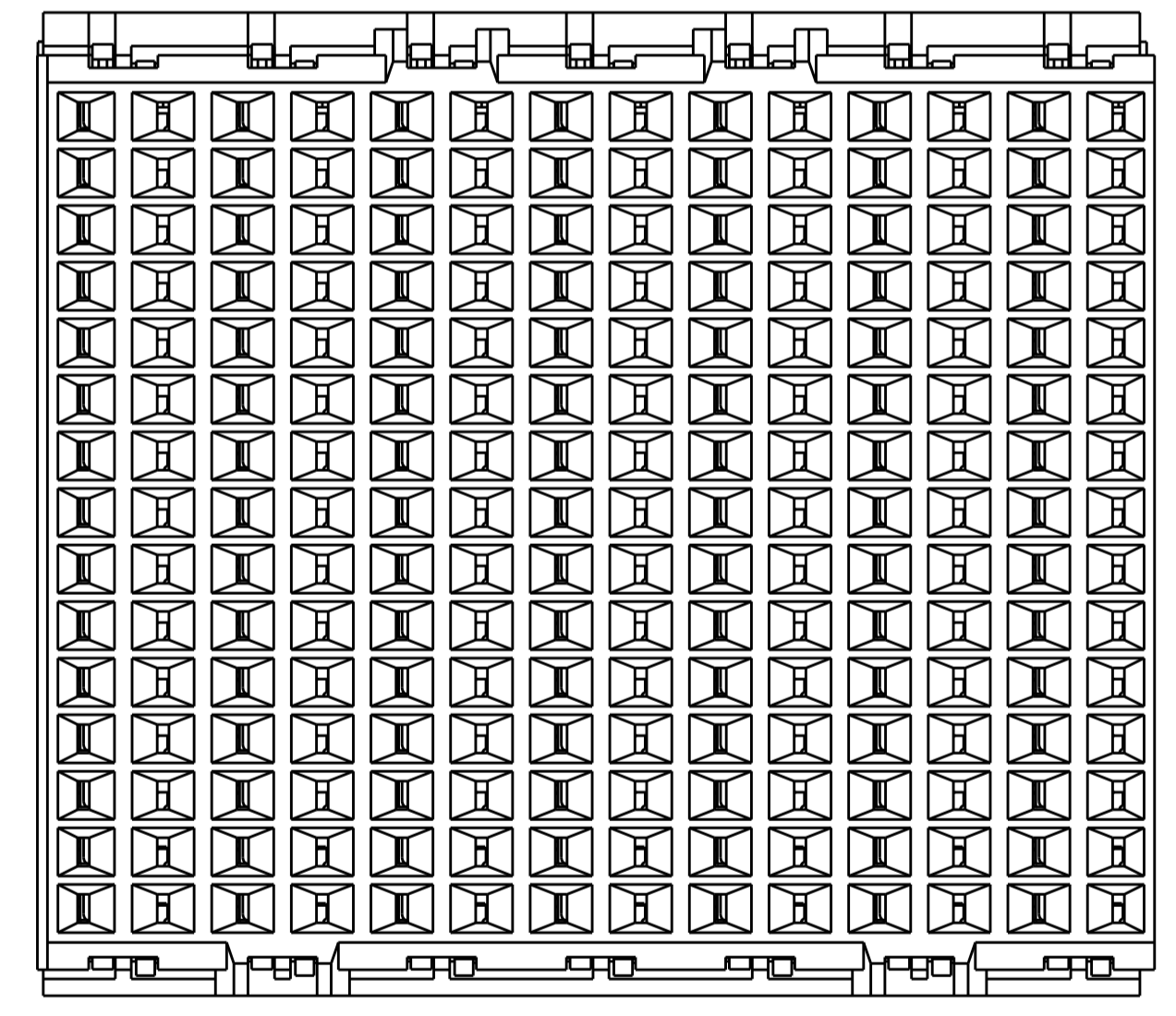


⚠ MATERIAL:
 HOUSING: LCP, GLASS FILLED, UL94V-0.
 TERMINALS: HIGH PERFORMANCE COPPER ALLOY.

⚠ FINISH:
 30μ" SELECTIVE GOLD IN CONTACT AREA. SELECTIVE TIN ON PCB TAILS, NICKEL OVERALL.



SCALE 4:1



210X $\varnothing 0.39 \pm 0.05$
 PLATED THRU HOLE

210X $\varnothing 0.48 \pm 0.013$
 DRILL HOLE

$\varnothing 0.10$

OFFSET BETWEEN BOARD AND BACKPLANE HOLE COLUMNS

RECOMMENDED PCB LAYOUT
 MIN BOARD THICKNESS 1.0

REFER TO WWW.TE.COM
 FOR PRODUCT AVAILABILITY

| | | |
|--------------|--------|-------------|
| NONE | ⚠ | 2110118-1 |
| KEY POSITION | FINISH | PART NUMBER |

| | | | |
|--|--|-------------------------|---|
| THIS DRAWING IS A CONTROLLED DOCUMENT. | | DWN Z. MILLER 17SEP2010 | TE Connectivity NAME: IMPACT, STD, R/A, 5 PAIR, 14 COLUMN, DAUGHTERCARD, UNGUIDED SIGNAL MODULE, 0.39 EYELET PRODUCT SPEC: - APPLICATION SPEC: - SIZE: - CAGE CODE: - DRAWING NO: A100779C=2110118 WEIGHT: - MATERIAL: - FINISH: SEE TABLE CUSTOMER DRAWING |
| DIMENSIONS: | | CHK D. DIXON 17SEP2010 | |
| mm | | APVD D. DIXON 17SEP2010 | |
| 0 PLC ± 1 PLC ±0.2 2 PLC ±0.10 3 PLC ± 4 PLC ± ANGLES ± | | RESTRICTED TO | |
| SCALE 6:1 | | SHEET 1 OF 1 | REV C2 |

单击下面可查看定价，库存，交付和生命周期等信息

[>>TE Connectivity\(泰科\)](#)