

DETAIL X
SCALE 2:1

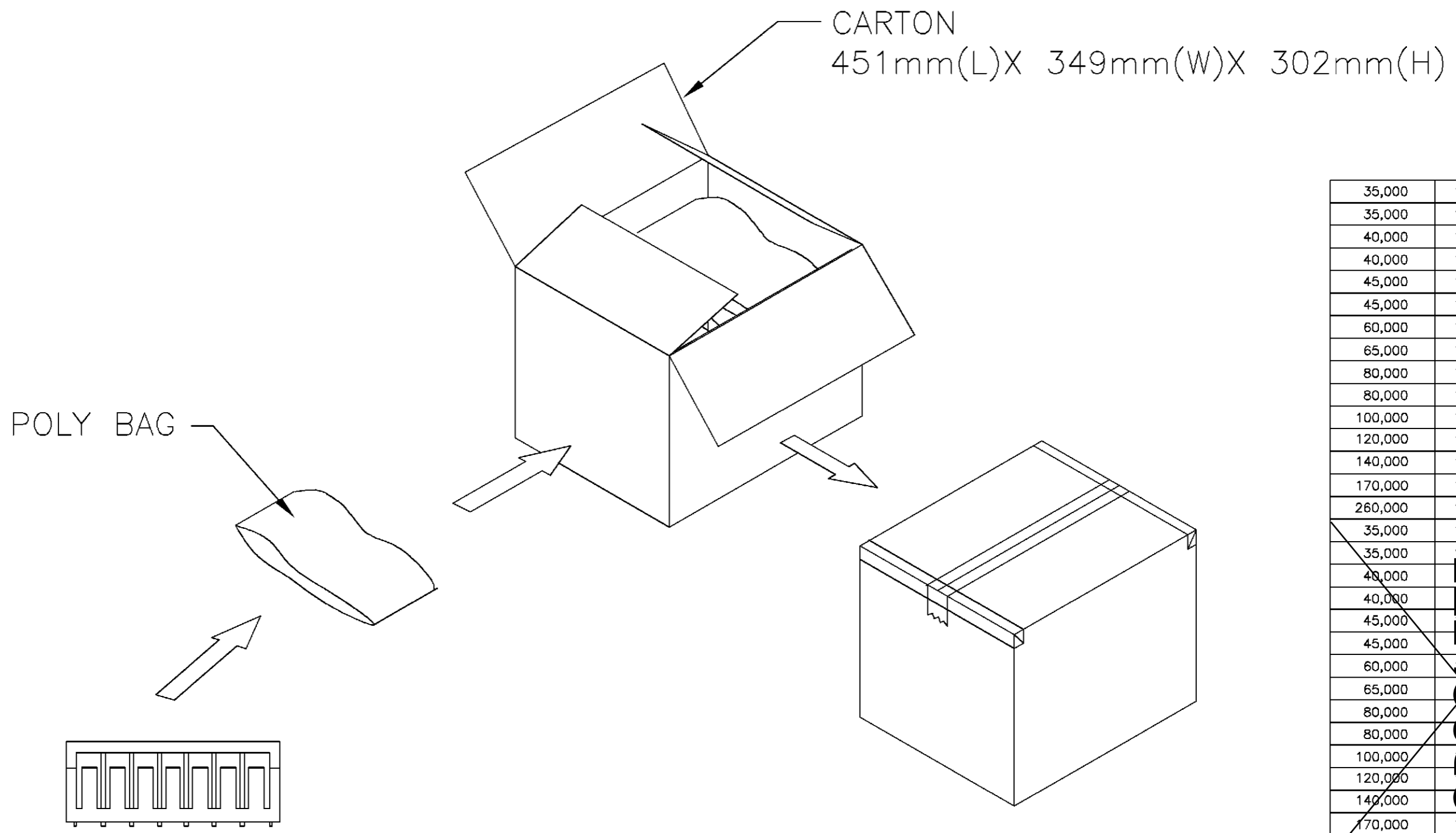
NOTE:
1. MATERIAL :
HOUSING : THERMOPLASTIC UL94V-0,
COLOR: SEE TABLE.

YELLOW	33.2	30.00±0.20	16	3-1470201-6
	31.2	28.00±0.20	15	3-1470201-5
	29.2	26.00±0.20	14	3-1470201-4
	27.2	24.00±0.20	13	3-1470201-3
	25.2	22.00±0.15	12	3-1470201-2
	23.2	20.00±0.15	11	3-1470201-1
	21.2	18.00±0.15	10	3-1470201-0
	19.2	16.00±0.15	9	2-1470201-9
	17.2	14.00±0.10	8	2-1470201-8
	15.2	12.00±0.10	7	2-1470201-7
	13.2	10.00±0.10	6	2-1470201-6
	11.2	8.00±0.08	5	2-1470201-5
	9.2	6.00±0.08	4	2-1470201-4
OBSOLETE NATURAL	7.2	4.00±0.05	3	2-1470201-3
	5.2	2.00±0.05	2	2-1470201-2
	33.2	30.00±0.20	16	1-1470201-6
	31.2	28.00±0.20	15	1-1470201-5
	29.2	26.00±0.20	14	1-1470201-4
	27.2	24.00±0.20	13	1-1470201-3
	25.2	22.00±0.15	12	1-1470201-2
	23.2	20.00±0.15	11	1-1470201-1
	21.2	18.00±0.15	10	1-1470201-0
	19.2	16.00±0.15	9	1470201-9
	17.2	14.00±0.10	8	1470201-8
	15.2	12.00±0.10	7	1470201-7
	13.2	10.00±0.10	6	1470201-6
11.2	8.00±0.08	5	1470201-5	
9.2	6.00±0.08	4	1470201-4	
7.2	4.00±0.05	3	1470201-3	
5.2	2.00±0.05	2	1470201-2	
HOUSING COLOR	DIM. B	DIM. A	POS.	PART NUMBER

DIMENSION : 0 PLC ± 1 PLC ±0.20 2 PLC ±0.10 3 PLC ±0.05 ANGLES ±	DWN	O. HU	TE Connectivity NAME 2.0 MM PITCH, CRIMP, VERTICAL HOUSING.	
	25-OCT-2002	J. CHENG		
MATERIAL SEE NOTE	APVD	J. WU	LOC DW A ₃ DRAWING NO C-1470201 REV B2 SCALE --- SHEET 1 OF 2	
	25-OCT-2002			
FINISH SEE NOTE	PRODUCT SPEC 108-57158		QUALIFICATION TEST REPORT 501-57248 WEIGHT	
	108-57158			

ECO-16-002887 B2

B1		REVISED PER ECO-11-005301	RK HMR	5APR11
LTR	REVISION RECORD	ECO	DWN CHK	DATE



35,000	1000	3-1470201-6
35,000	1000	3-1470201-5
40,000	1000	3-1470201-4
40,000	1000	3-1470201-3
45,000	1000	3-1470201-2
45,000	1000	3-1470201-1
60,000	1000	3-1470201-0
65,000	1000	2-1470201-9
80,000	1000	2-1470201-8
80,000	1000	2-1470201-7
100,000	1000	2-1470201-6
120,000	1000	2-1470201-5
140,000	1000	2-1470201-4
170,000	1000	2-1470201-3
260,000	1000	2-1470201-2
35,000	1000	1-1470201-6
35,000	1000	1-1470201-5
40,000	1000	1-1470201-4
40,000	1000	1-1470201-3
45,000	1000	1-1470201-2
45,000	1000	1-1470201-1
60,000	1000	1-1470201-0
65,000	1000	1470201-9
80,000	1000	1470201-8
80,000	1000	1470201-7
100,000	1000	1470201-6
120,000	1000	1470201-5
140,000	1000	1470201-4
170,000	1000	1470201-3
260,000	1000	1470201-2
APQ (PCS/CARTON)	PPQ (PCS/BAG)	PART NUMBER

UNLESS OTHERWISE SPECIFIED REMOVE BURRS, BREAK SHARP EDGE 0.4R MAX.

DWN	O. HU	APVD	J. WU	 Electronics	TYCO HOLDINGS (BERMUDA) VII LTD. TAIWAN BRANCH		
25-OCT-2002			25-OCT-2002				
CHK	J. CHENG	REL		SIZE	LOC	NUMBER	REV
25-OCT-2002				A3	DW	1470201	B2
TERMINAL	TYPE	FIRST USED					
--	--	--					

SEE SHEET 1.				
LTR	REVISION RECORD	ECN	DWN/CHK	DATE

SCALE: -- NAME: 2.0 MM PITCH, CRIMP, VERTICAL, HOUSING.

单击下面可查看定价，库存，交付和生命周期等信息

[>>TE Connectivity\(泰科\)](#)