

P	LTR	DESCRIPTION	DATE	DWN	APVD
	Y	TE LOGO, RESIN SUPPLIER AND RAL CHANGE	29AUG2019	KJK	PS

POS.	L±0.8	PART NUMBER
2	5.08	925369-2
3	7.62	925369-3
4	10.16	925369-4
5	12.70	925369-5
6	15.24	925369-6
7	17.78	925369-7
8	20.32	925369-8
9	22.86	925369-9
10	25.40	1-925369-0
11	27.94	1-925369-1
12	30.48	1-925369-2
13	33.02	1-925369-3
14	35.56	1-925369-4
15	38.10	1-925369-5
16	40.64	1-925369-6
17	43.18	1-925369-7
18	45.72	1-925369-8
19	48.26	1-925369-9
20	50.80	<del>2-925369-0</del>
21	53.34	<del>2-925369-1</del>
22	55.88	<del>2-925369-2</del>
23	58.42	<del>2-925369-3</del>
24	60.96	<del>2-925369-4</del>
25	63.50	<del>2-925369-5</del>
26	66.04	<del>2-925369-6</del>
27	68.58	<del>2-925369-7</del>
28	71.12	<del>2-925369-8</del>
29	73.66	<del>2-925369-9</del>
30	76.20	<del>3-925369-0</del>
31	78.74	<del>3-925369-1</del>
32	81.28	<del>3-925369-2</del>
33	83.82	<del>3-925369-3</del>
34	86.36	<del>3-925369-4</del>
35	88.90	<del>3-925369-5</del>
36	91.44	3-925369-6
37	93.98	<del>3-925369-7</del>
38	96.52	<del>3-925369-8</del>
39	99.06	3-925369-9
40	101.60	<del>4-925369-0</del>
41	104.14	<del>4-925369-1</del>
42	106.68	<del>4-925369-2</del>
43	109.22	4-925369-3
44	111.76	<del>4-925369-4</del>
45	114.30	<del>4-925369-5</del>
46	116.84	<del>4-925369-6</del>
47	119.38	<del>4-925369-7</del>
48	121.92	<del>4-925369-8</del>
49	124.46	<del>4-925369-9</del>
50	127.00	5-925369-0

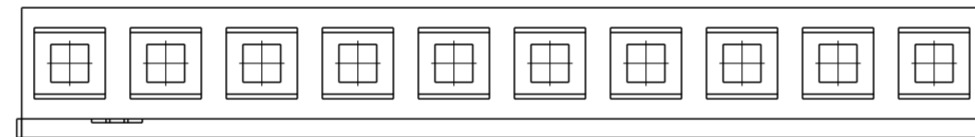
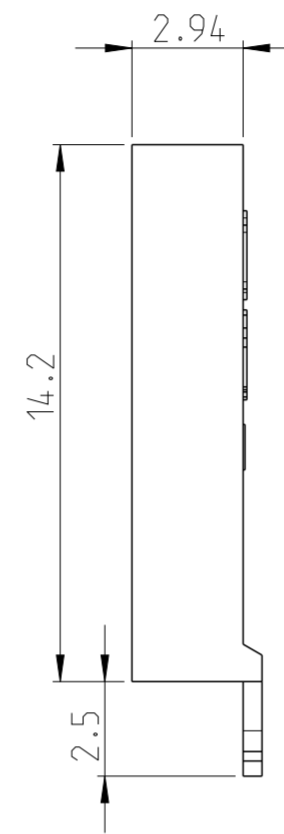
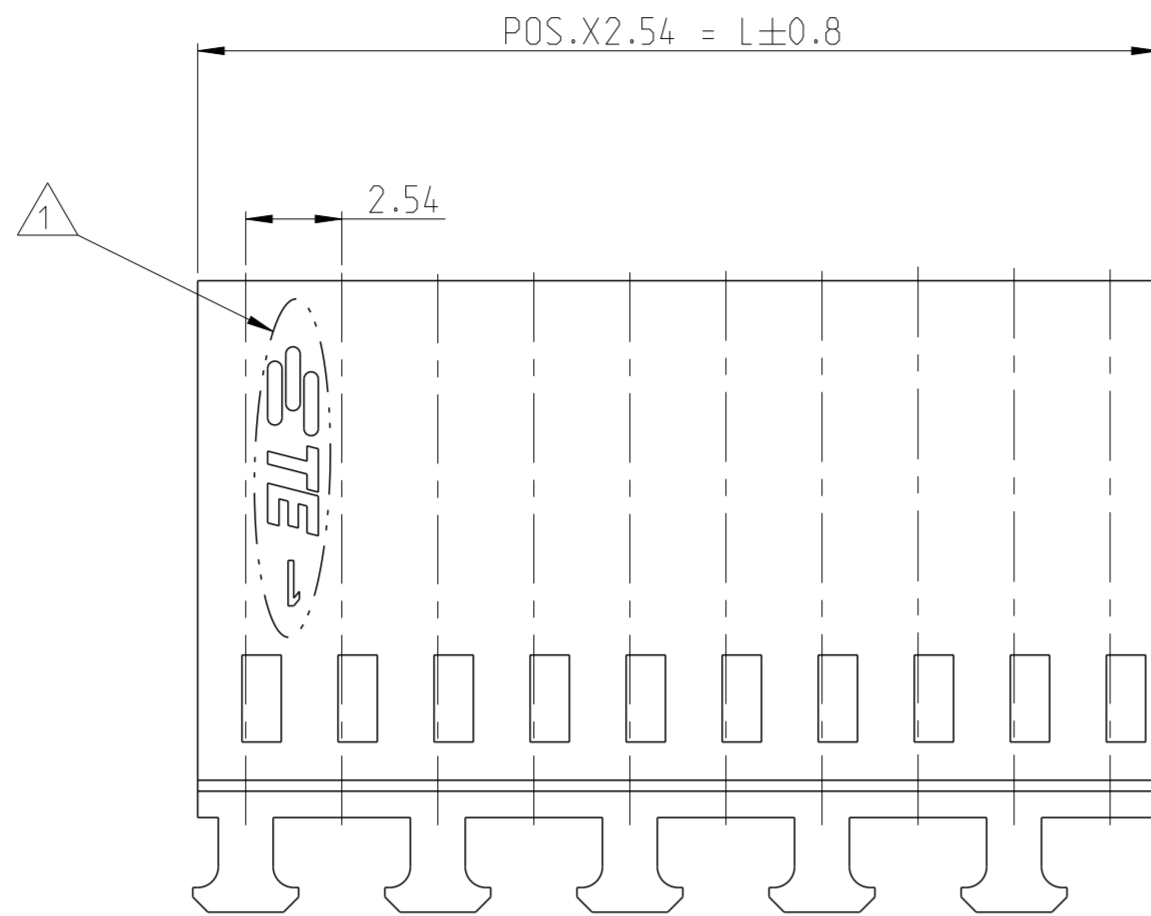
OBSOLETE

OBSOLETE

OBSOLETE

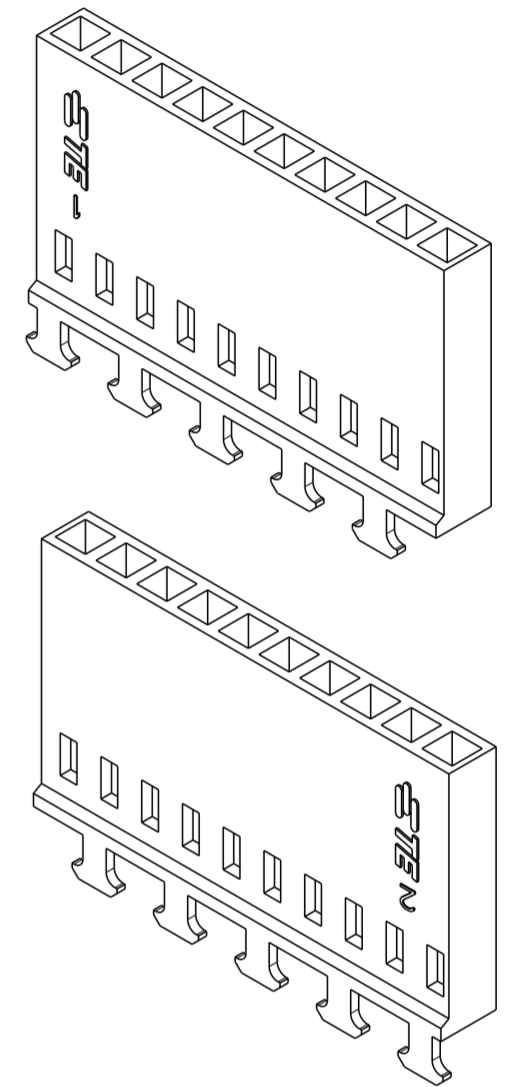
OBSOLETE

OBSOLETE



PN 1-925369-0 FROM DIFFERENT CAVITIES AS SHOWN BELOW

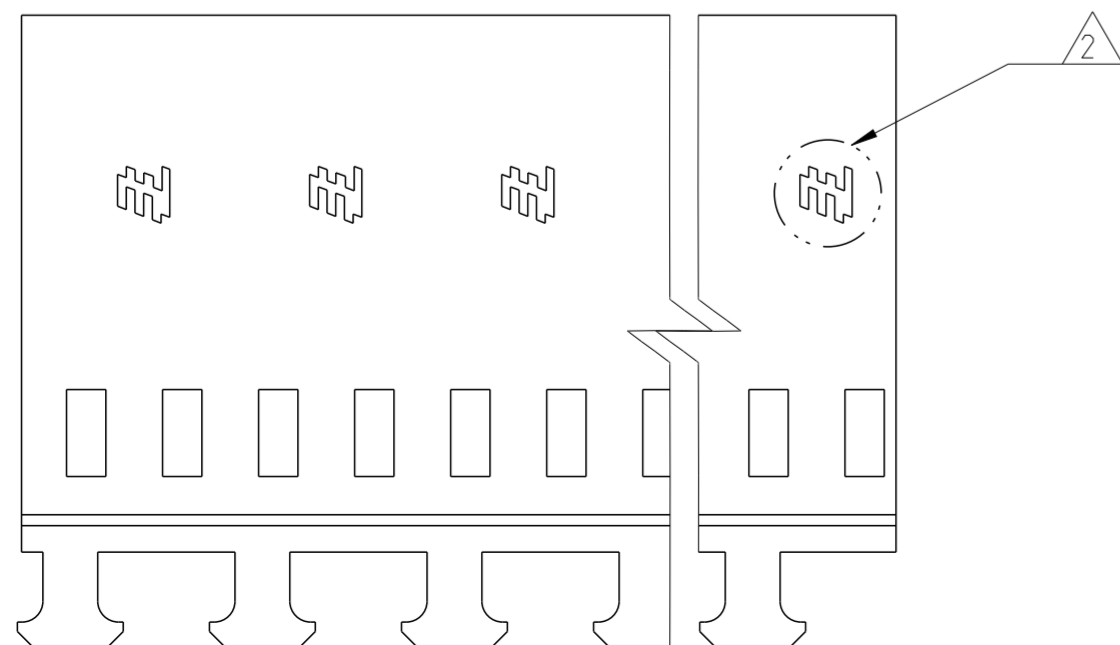
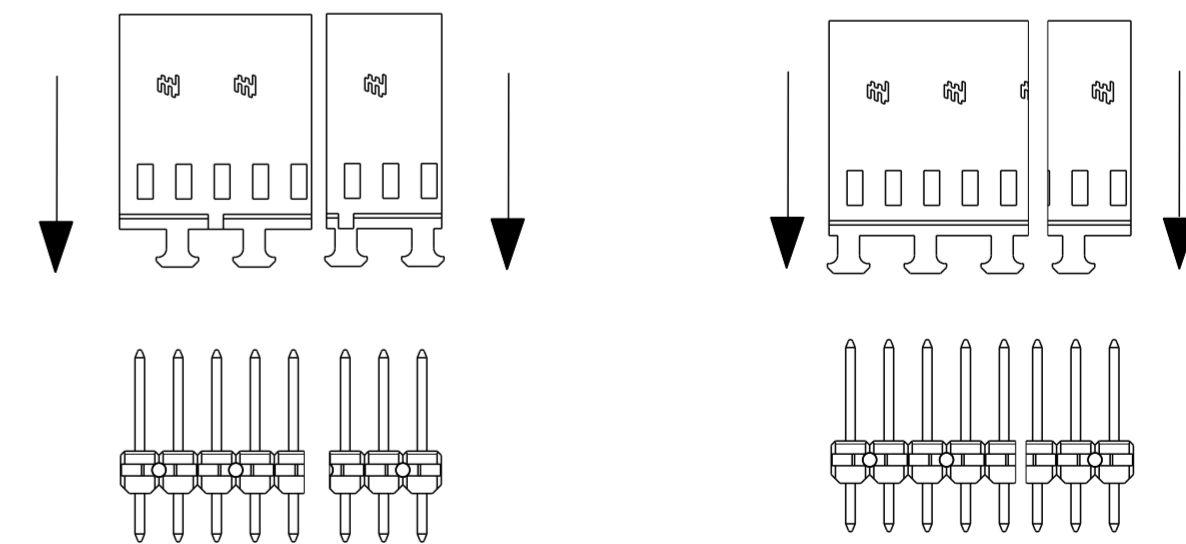
VIEW A  
SCALE 3:1



NOTES:

- 1 TE LOGO FOR 2 POSITION TO 19 POSITION PART NUMBERS  
TE LOGO CAN BE ON EITHER SIDE (LEFT OR RIGHT) OF THE HOUSINGS, REFER VIEW A
- 2 TE LOGO FOR 20 POSITION TO 50 POSITION PART NUMBERS.
- 3 PRODUCT SPECIFICATION -108-25020 (MOD IV STANDARD CONTACT PRESSURE)  
-108-25021 (MOD IV INTERMEDIATE CONTACT PRESSURE)  
-108-25007 (MOD V HIGH CONTACT PRESSURE)

POSITIONS OF LOCKING CHANGED CONDITIONAL OF PRODUCTION  
KNUPS LOCK ACCORDING ON THE LEFT OR RIGHT SIDE WITH PIN HEADER



THIS DRAWING IS A CONTROLLED DOCUMENT.		DWN KARTHIK J K 28AUG2019	TE Connectivity	
DIMENSIONS: mm		CHK HARI REDDY 28AUG2019		
TOLERANCES UNLESS OTHERWISE SPECIFIED: ±0.2mm		APVD PRASHANTH S 28AUG2019	NAME AMPMODU IV RECEPTACLE HOUSING SINGLE ROW, WITH STRAIN RELIEF	
MATERIAL PA66 GREEN RAL 6001		PRODUCT SPEC 3	RESTRICTED TO -	
FINISH -		APPLICATION SPEC 114-25003	SIZE A2	CAGE CODE 00779
		WEIGHT -	DRAWING NO G-925369	SCALE 5:1
		CUSTOMER DRAWING	SHEET 1 OF 1	REV Y

单击下面可查看定价，库存，交付和生命周期等信息

[>>TE Connectivity\(泰科\)](#)