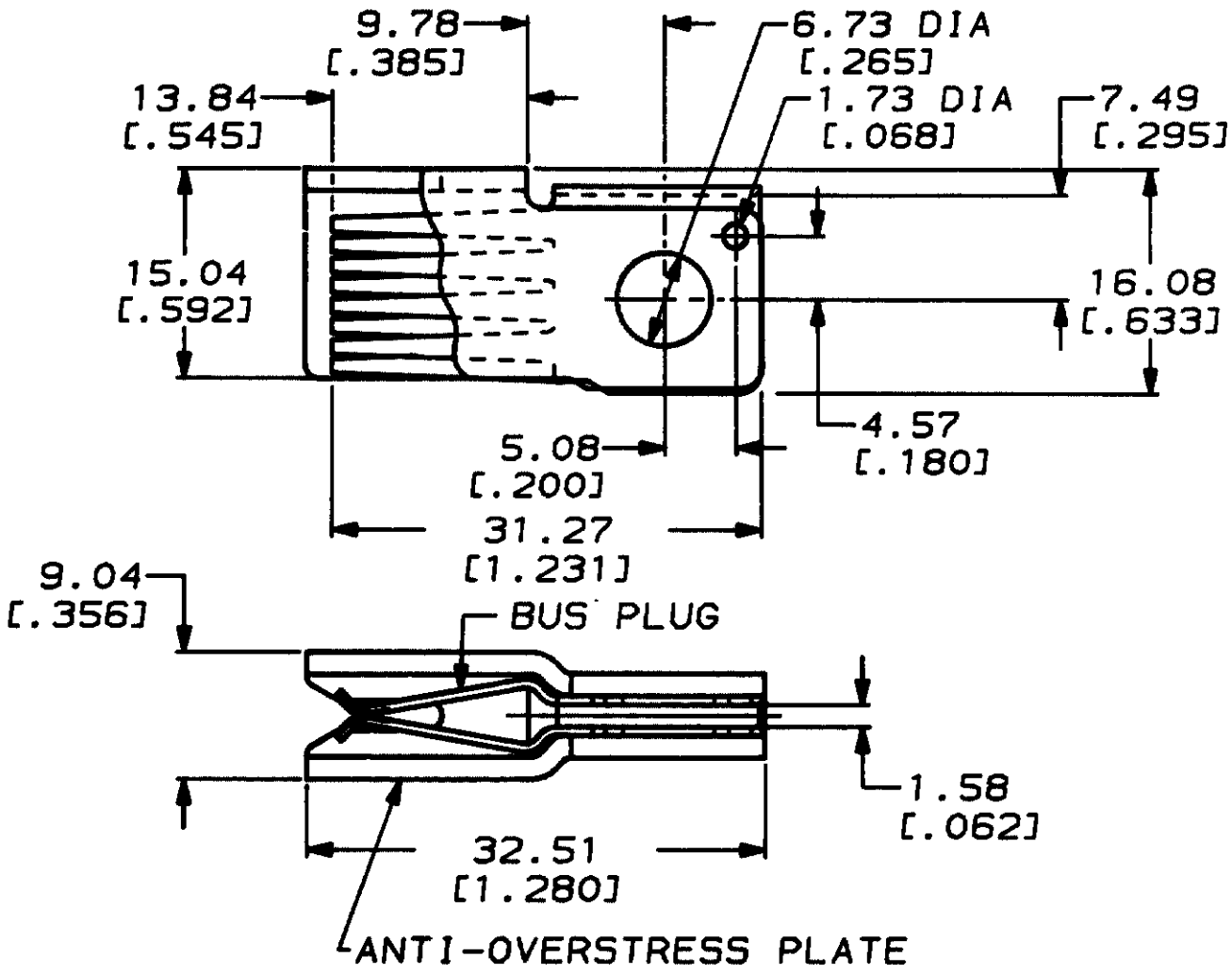


THIS DRAWING IS UNPUBLISHED. BY AMP OF CANADA LTD. ALL INTERNATIONAL RIGHTS RESERVED. ,19

LOC	DIST	P			F			LTR			REVISIONS		
BG	5												
				B	REVISION PER BG648			DATE	APPROVED				
								04/92	<i>[Signature]</i>				



1. PARTS ASSEMBLED AS SHOWN
2. ALL DIMENSIONS REFERENCE ONLY

METRIC

786104-1
PART NO

DO NOT SCALE PRINT.
UNLESS SPECIFIED
DIMENSIONS IN mm (IN)
TOLERANCES ON:
2 PLC DEC * -
3 PLC DEC * -
ANGLES * -

MATERIAL
BUS PLUG, COPPER ALLOY
ANTI-OVERSTRESS PLATE,
S.S.

FINISH
BUS PLUG, Ag/Ni
ANTI-OVERSTRESS PLATE,
PASSIVATED

DR 12-12-91 J HARD
CHK 12-12-91 J LANDIS
APPD 12-12-91 C WEIDLER
APPD 12-12-91 C WEIDLER
PRODUCT SPEC 108-1380
APPLICATION SPEC 114-2130
WEIGHT -

AMP AMP of CANADA Ltd. Markham, Ont.		
NAME AMP PDS 062F2 BUS PLUG W/GUIDE (SHORT)		
SIZE A	CAGE CODE 09482	DRAWING NO 786104
SCALE NTS	SHEET 1 of 1	

单击下面可查看定价，库存，交付和生命周期等信息

[>>TE Connectivity\(泰科\)](#)