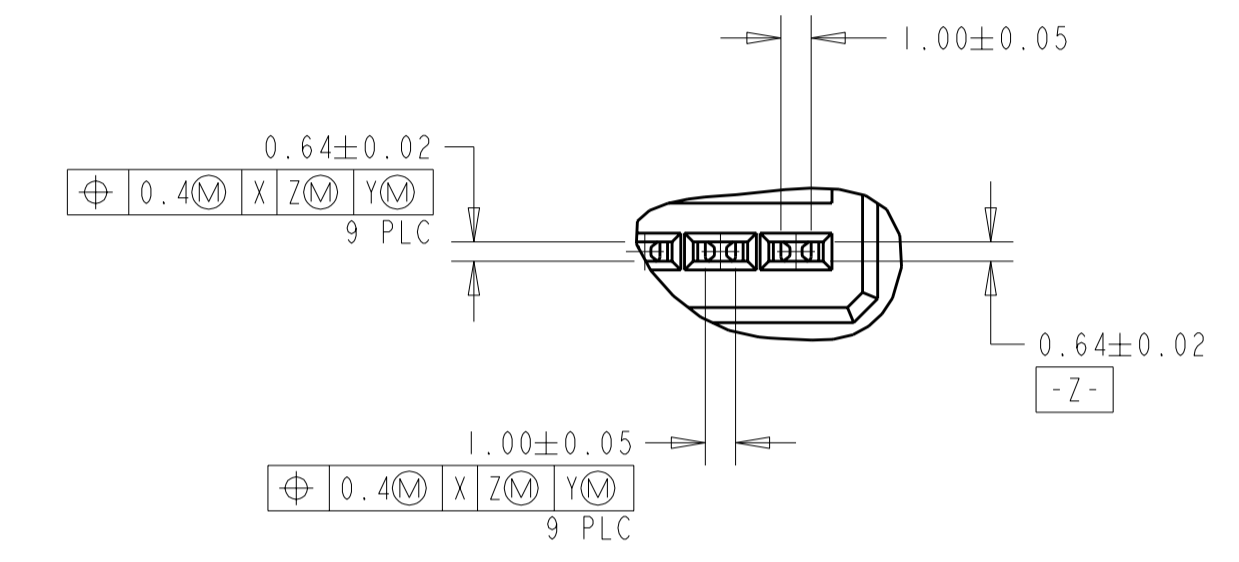
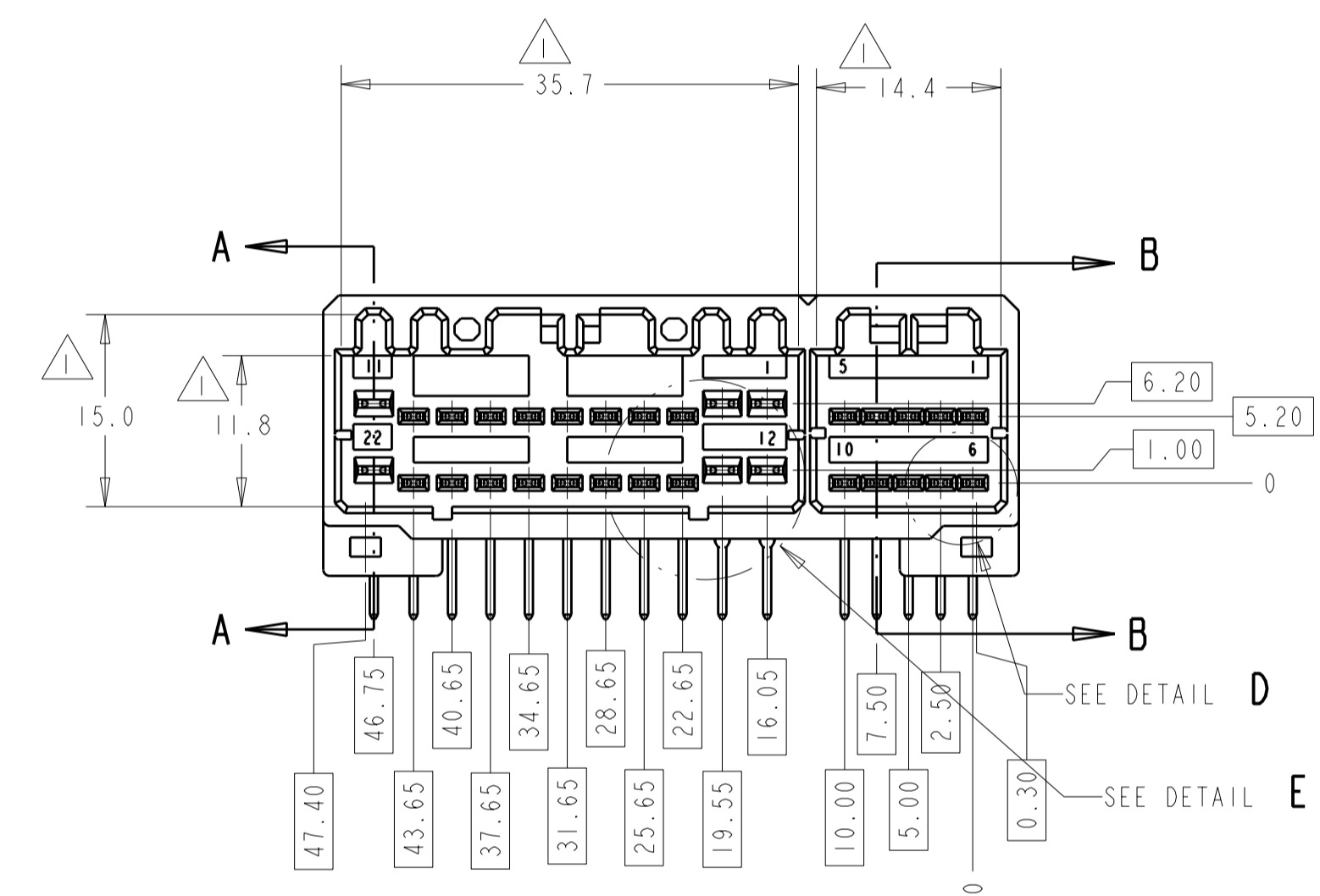
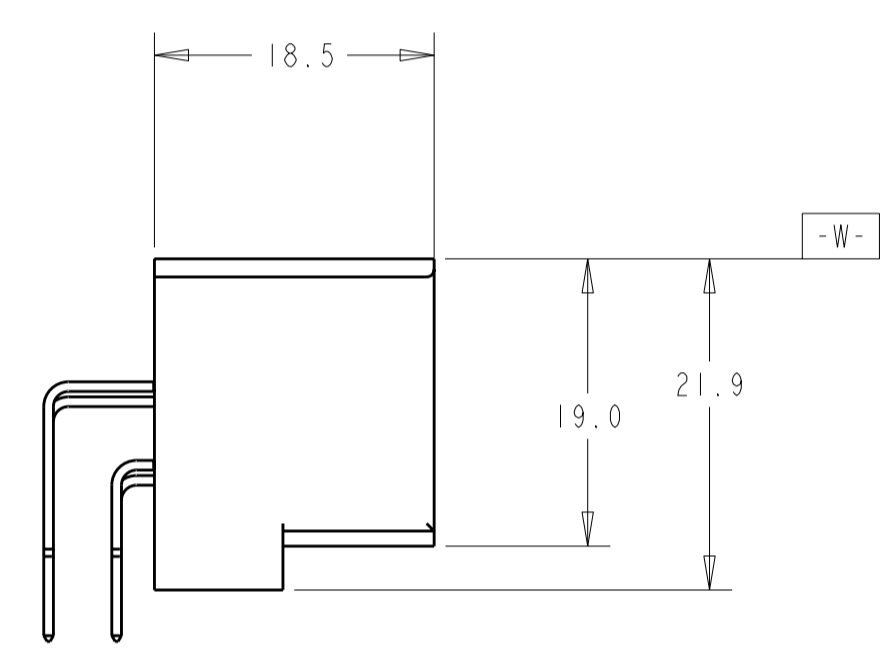
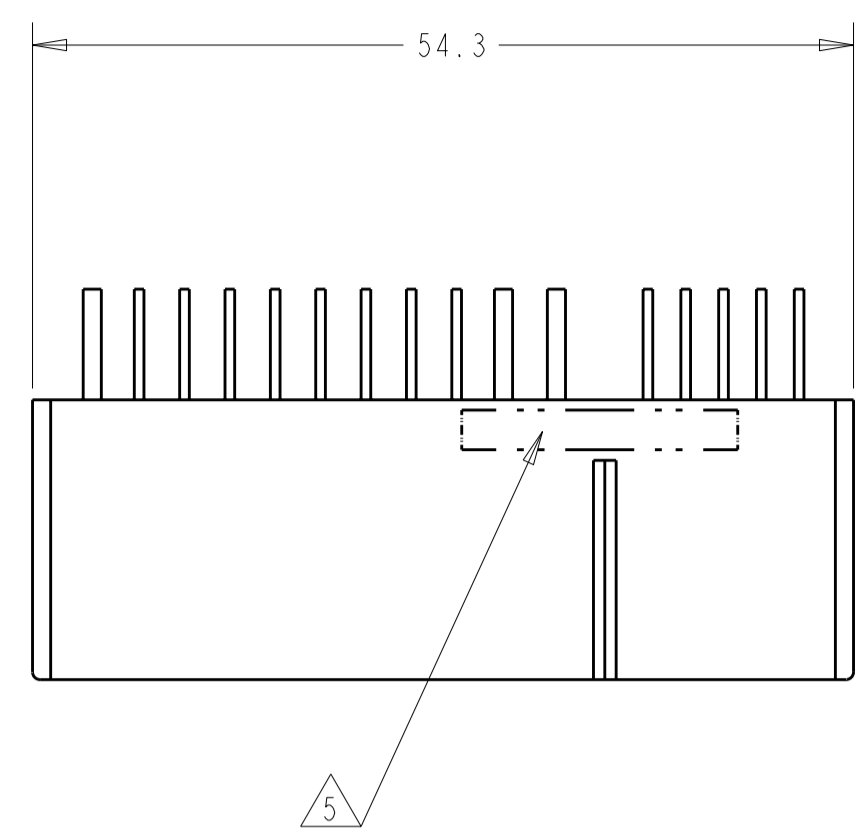
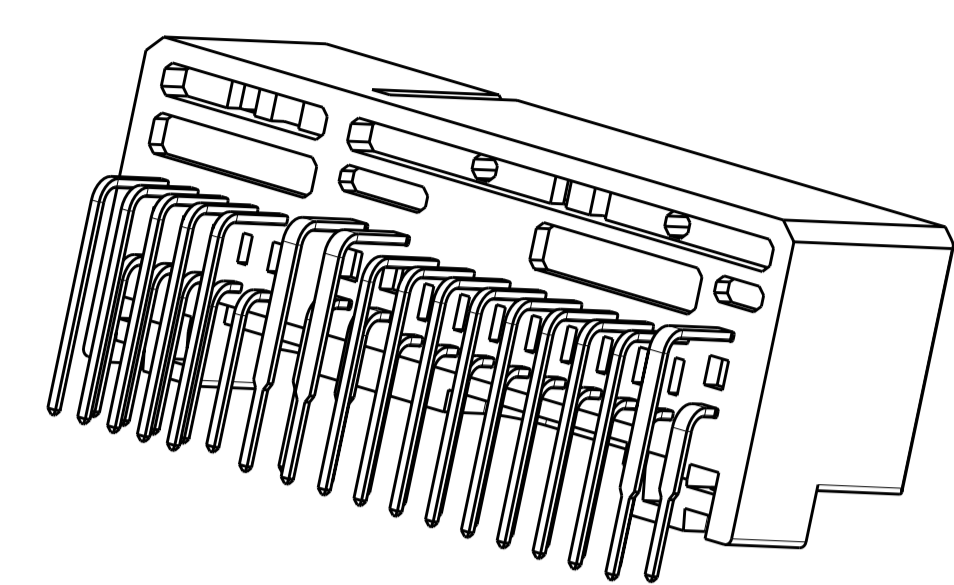
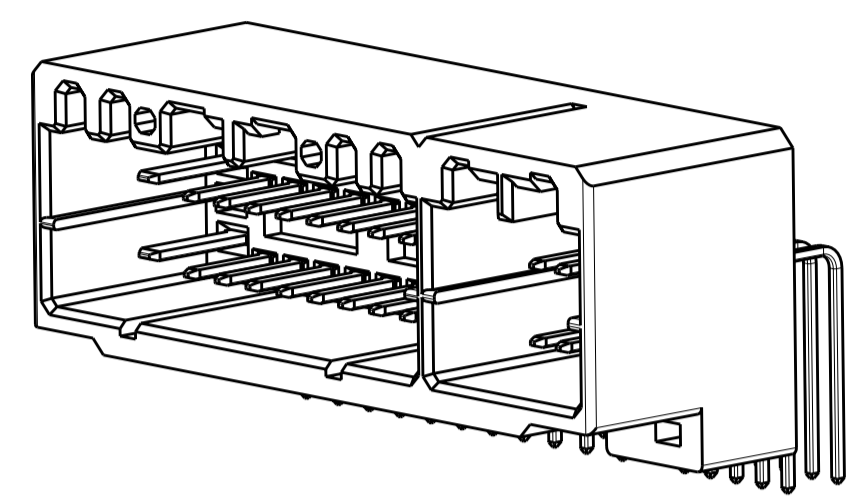
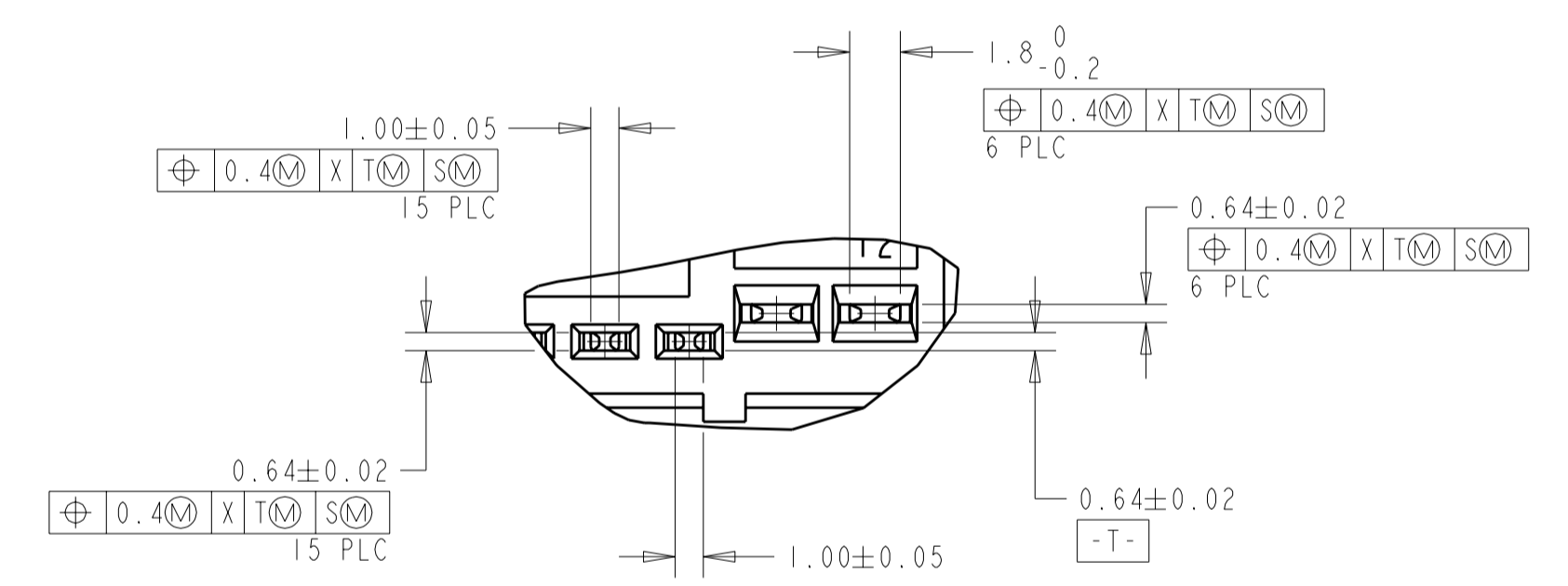


LOC	DIST	REVISIONS			
F	LTR	DESCRIPTION	DATE	DMN	APVD
F		RLSD PER EC OK80-0035-05	28FEB2005	RGV	RMC

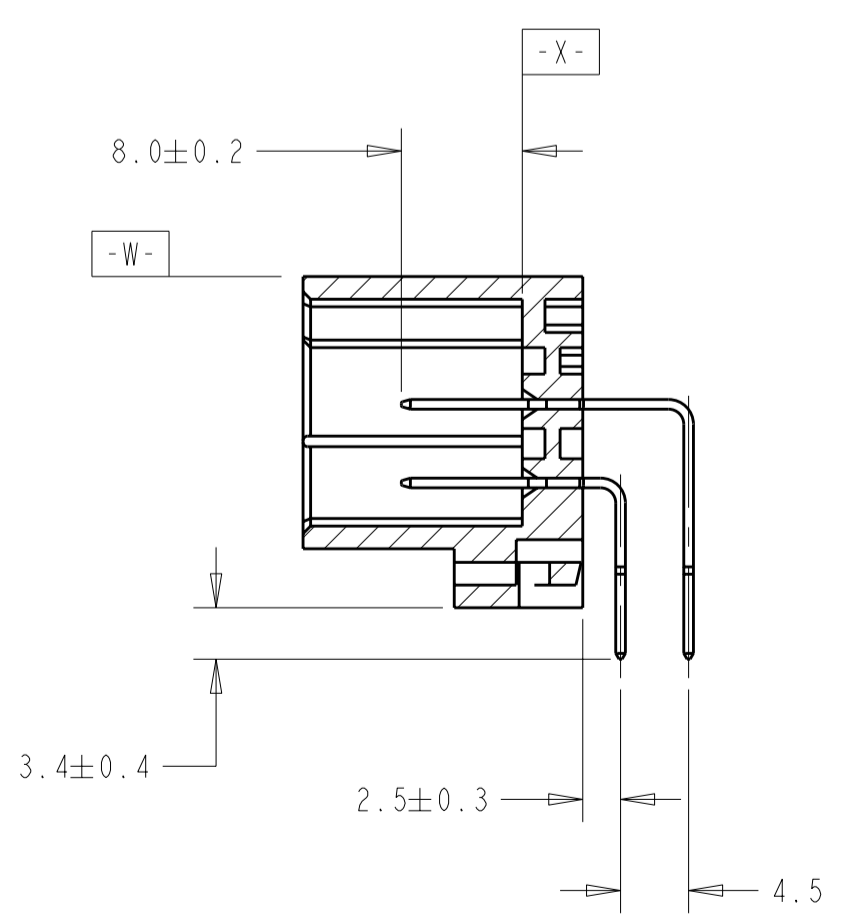
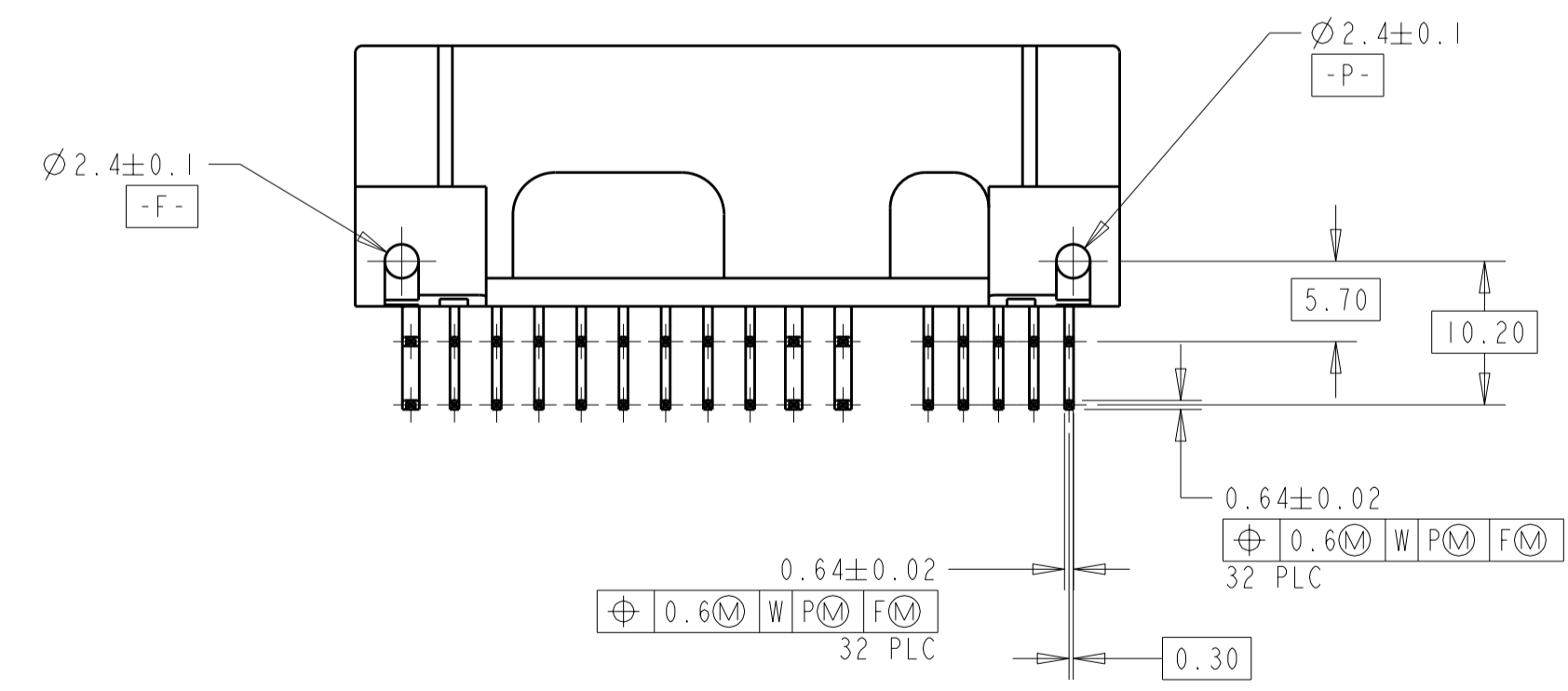
1. DIMENSION MUST BE HELD BETWEEN $-X-$ AND 2.0 FROM $-X-$
2. RECOMMENDED MOUNTING SCREW, 3mm DIA X 6mm LG, PAN HEAD, CLASS 2 TAPPING SCREW AS SPECIFIED IN JIS B1115 AND B1112.
3. DATUMS AND BASIC DIMENSIONS ESTABLISHED BY CUSTOMER.
4. MATING PLUGS: 22 POS 917989-1 THRU -6
10 POS 638207-6
5. DATE CODE



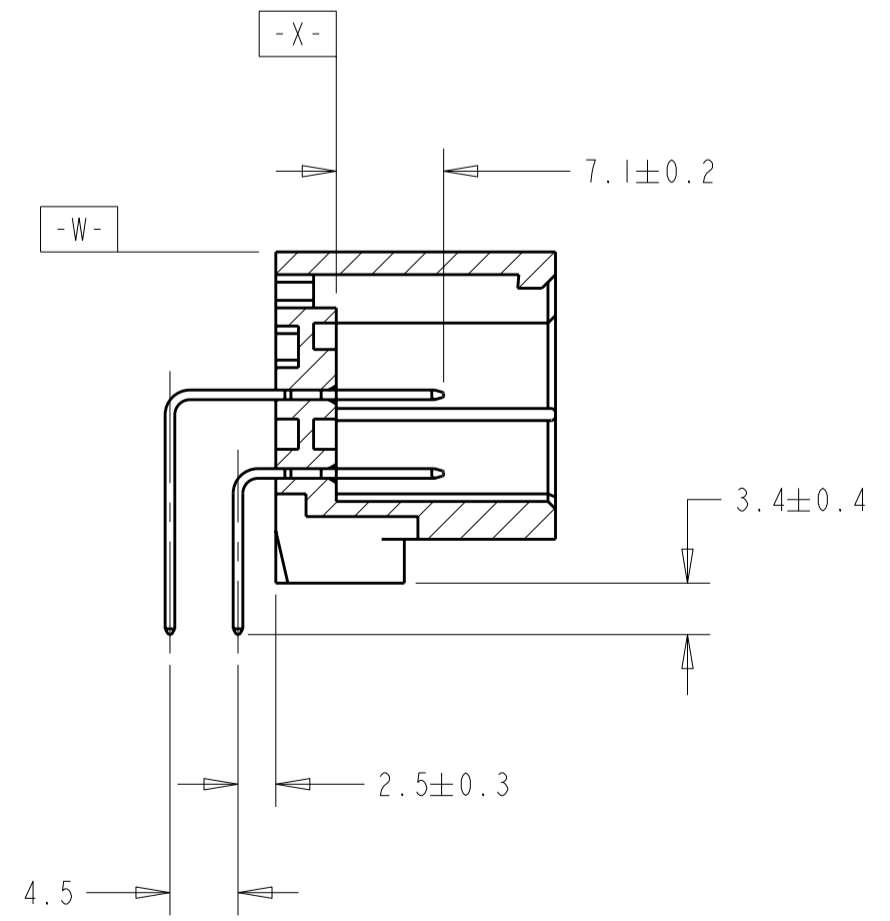
DETAIL D
SCALE 4:1



DETAIL E
SCALE 4:1



SECTION A-A
SCALE 2:1
(.070 TABS)

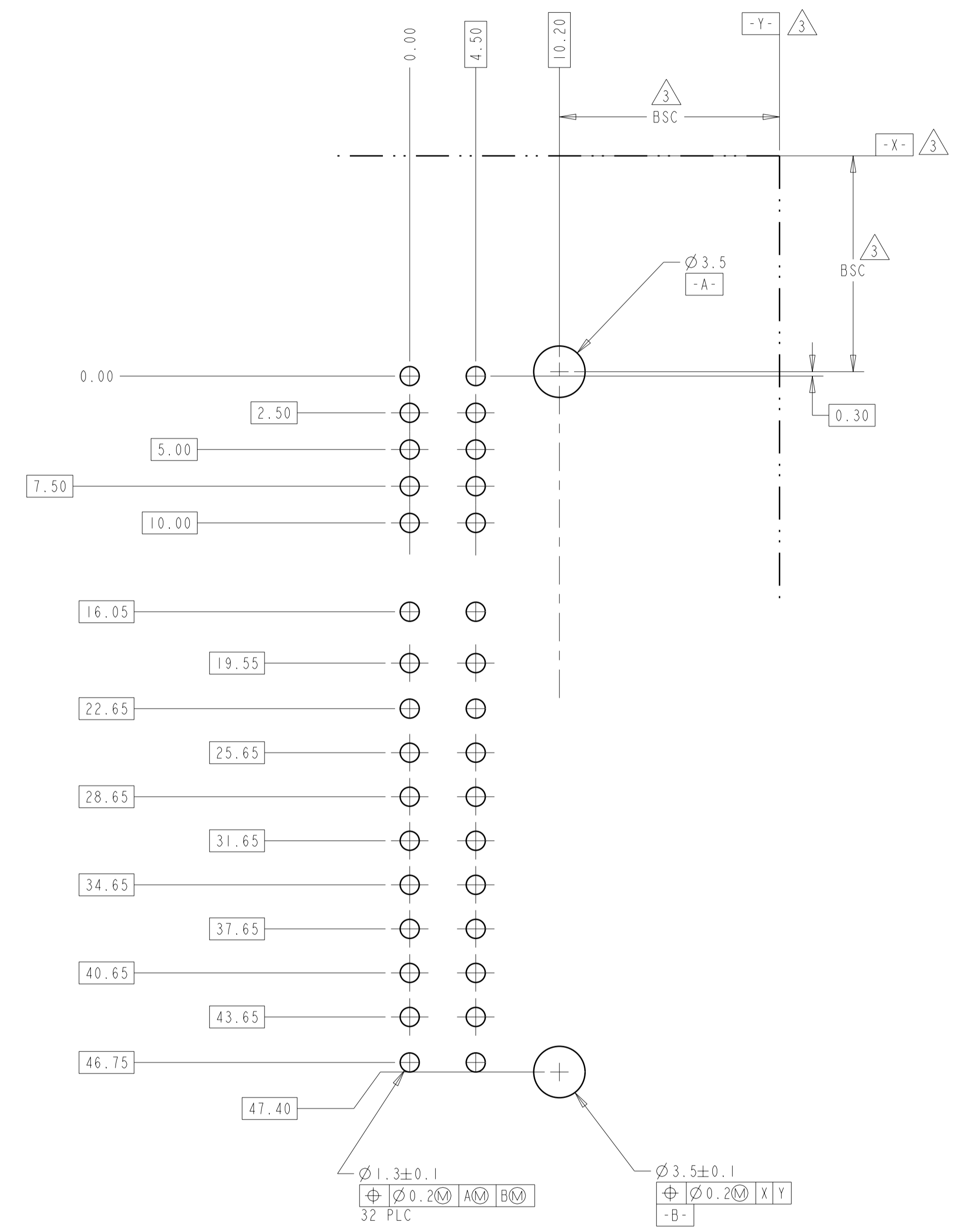


SECTION B-B
SCALE 2:1
(.040 TABS)

THIS AMP PROPRIETARY INFORMATION IS CONFIDENTIAL AND IS DISCLOSED TO YOU ON CONDITION THAT NO FURTHER DISCLOSURE IS MADE BY YOU TO ANYONE OTHER THAN AMP PERSONNEL WITHOUT WRITTEN AUTHORIZATION FROM AMP INCORPORATED, HARRISBURG, PA.

BRASS	TIN OVER NICKEL GOLD OVER NICKEL	PBT	GRAY	2-638211-6
MATERIAL	FINISH	MATERIAL	COLOR	PART NO
CONTACT		HOUSING		
DWN R. VESTAL 28FEB2005		Tyco Electronics Harrisburg, PA 17105-3608		
CHK R. COOPER 28FEB2005		NAME 040/070 32 POSITION CAP ASSEMBLY 11, HORIZONTAL		
APVD R. COOPER 28FEB2005		PRODUCT SPEC 108-5342		
DIMENSIONS:		APPLICATION SPEC		
mm		ANGLES		
MATERIAL SEE TABLE		FINISH SEE TABLE		
WEIGHT		SIZE CAGE CODE DRAWING NO		
CUSTOMER DRAWING		A11 00779 C=638211		
SCALE 2:1		SHEET 1 OF 2 REV F		

LOC	DIST	REVISIONS			
P	LTH	DESCRIPTION	DATE	DMN	APVD
-	-	SEE SHEET 1	-	-	-



P.C. BOARD LAYOUT
 SCALE 4:1

<small>THIS DRAWING IS UNPUBLISHED. IT IS THE PROPERTY OF TYCO ELECTRONICS CORPORATION. IT IS TO BE USED ONLY FOR THE PURPOSES AND IN THE MANNER AND BY THE ORGANIZATION FOR WHICH IT WAS PREPARED. ANY REPRODUCTION OR TRANSMISSION OF THIS DRAWING WITHOUT THE WRITTEN PERMISSION OF TYCO ELECTRONICS CORPORATION IS PROHIBITED.</small>		DWN R. VESTAL 28FEB2005 CHK R. COOPER 28FEB2005 APVD R. COOPER 28FEB2005	tyco Electronics Tyco Electronics Harrisburg, PA 17105-3608
DIMENSIONS: mm 		TOLERANCES UNLESS OTHERWISE SPECIFIED: 0 PLC ± 1 PLC ±0.3 2 PLC ±0.15 3 PLC ± 4 PLC ± ANGLES ±1°	NAME 040/070 32 POSITION CAP ASSEMBLY 11, HORIZONTAL PRODUCT SPEC APPLICATION SPEC SIZE CAGE CODE DRAWING NO A 00779 C=638211 RESTRICTED TO
MATERIAL FINISH		WEIGHT CUSTOMER DRAWING	SCALE 2:1 SHEET 2 OF 2 REV F

单击下面可查看定价，库存，交付和生命周期等信息

[>>TE Connectivity\(泰科\)](#)