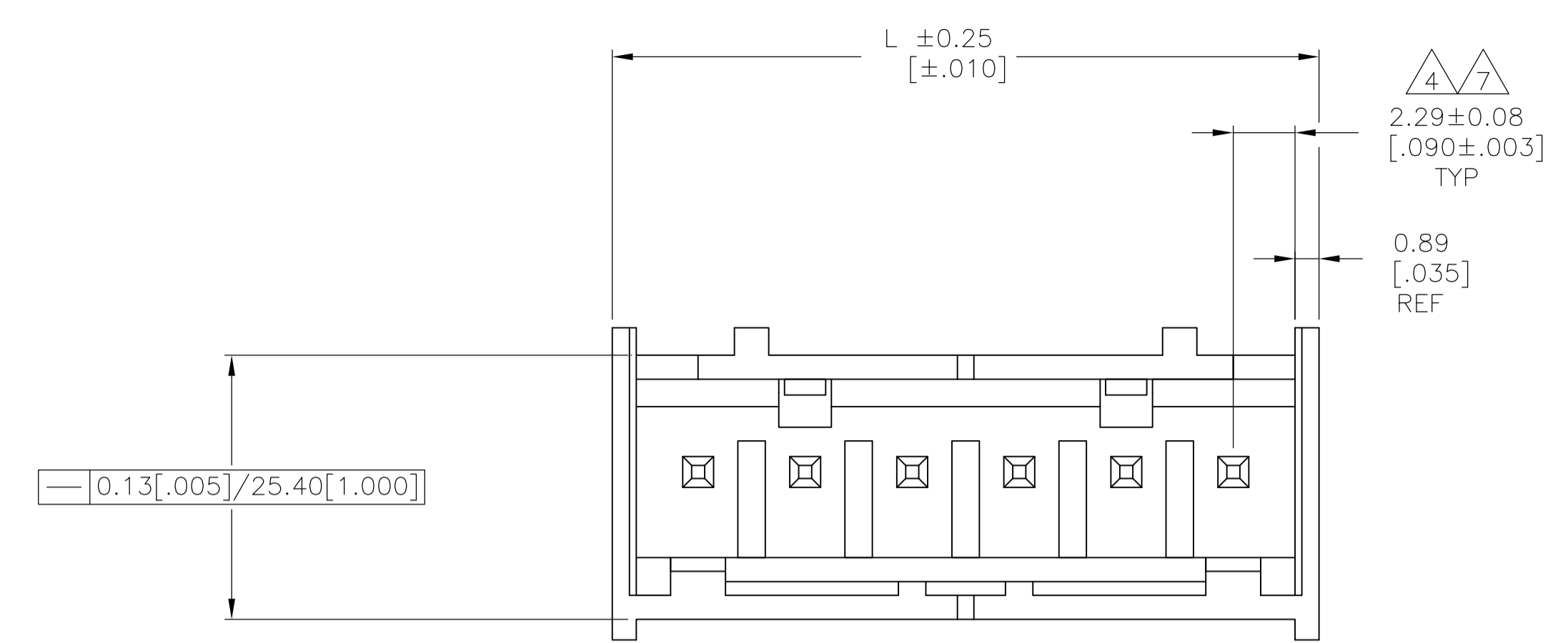


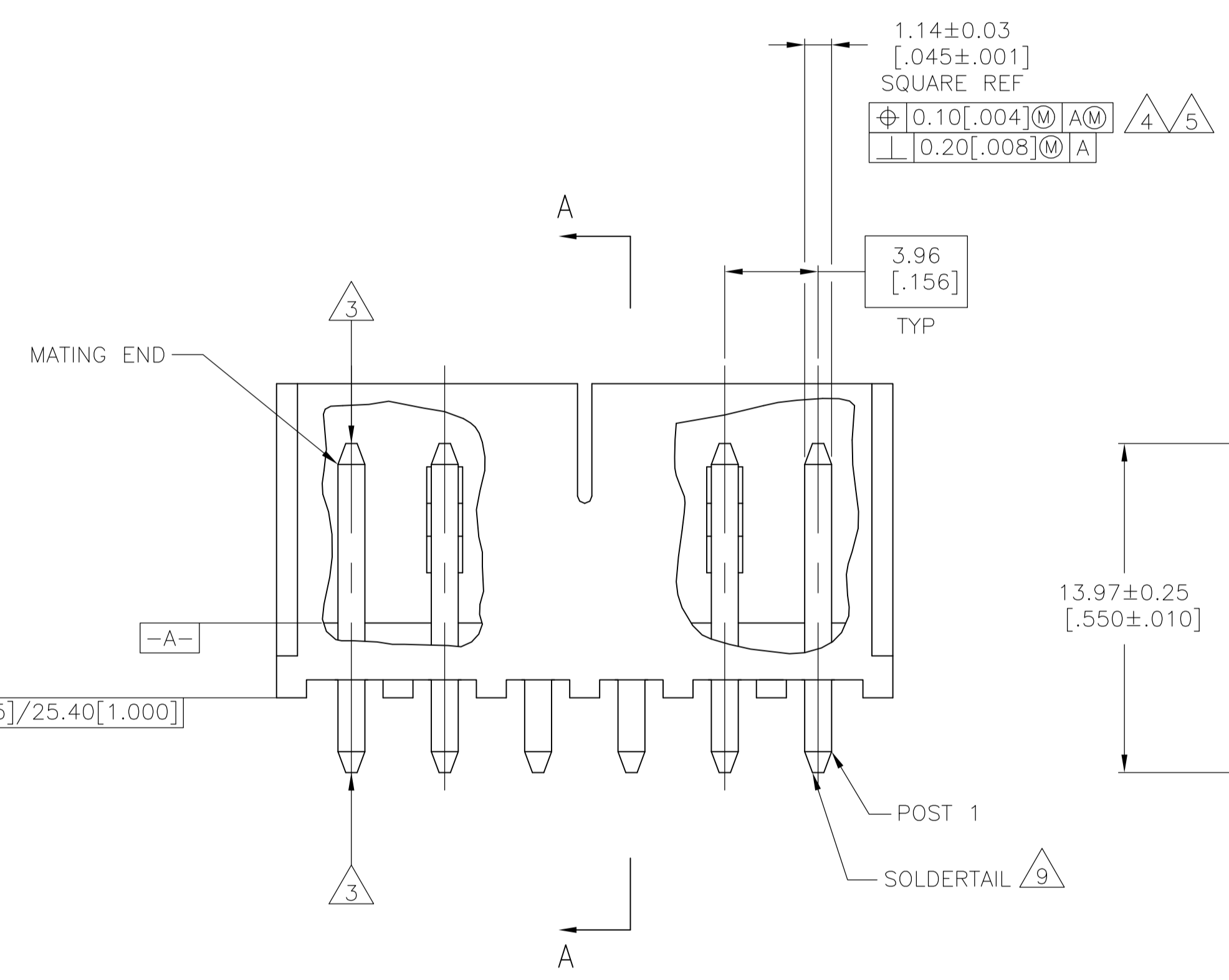
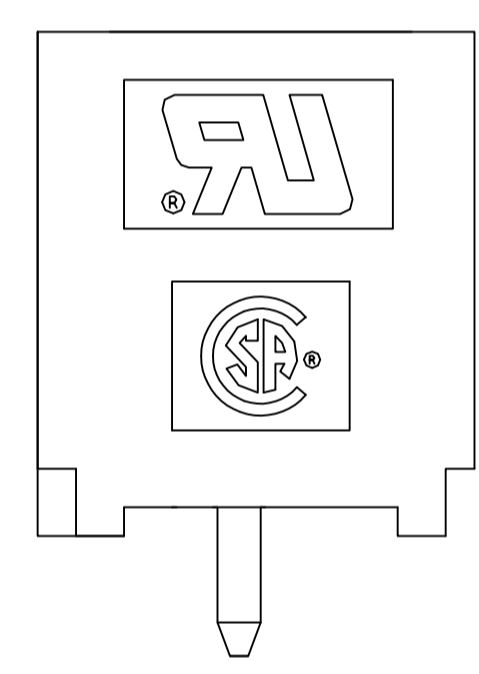
LOC		DIST		REVISIONS			
CM	0	REV	DATE	BY	CHK	APPV	
G1	REVISED	PER	ECR-15-007038	28SEP2015	NK	PQ	



2.29±0.08
[.090±.003]
TYP

0.89
[.035]
REF

0.13[.005]/25.40[1.000]



1.14±0.03
[.045±.001]
SQUARE REF

0.10[.004] M A

0.20[.008] M A

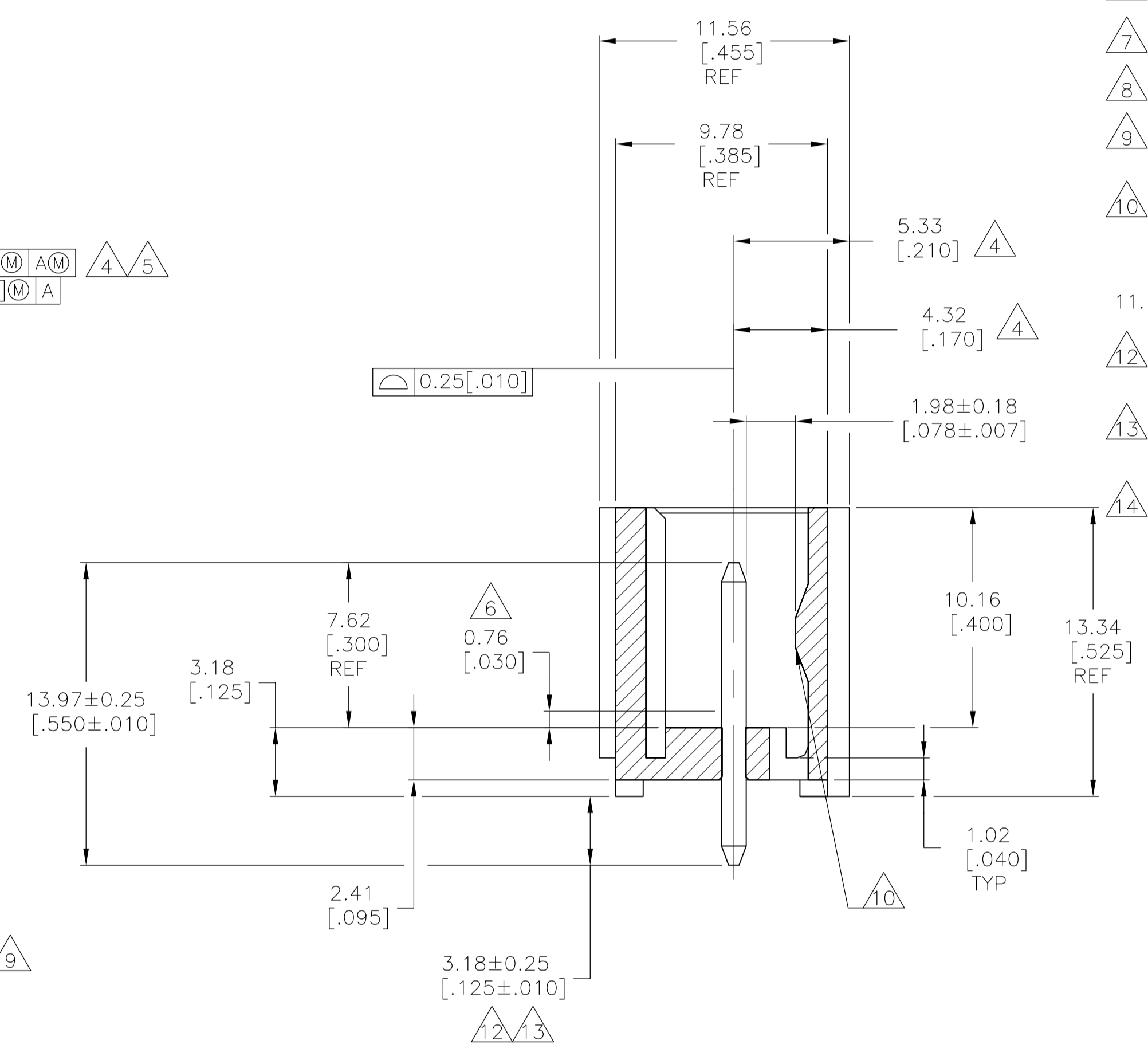
MATING END

3.96
[.156]
TYP

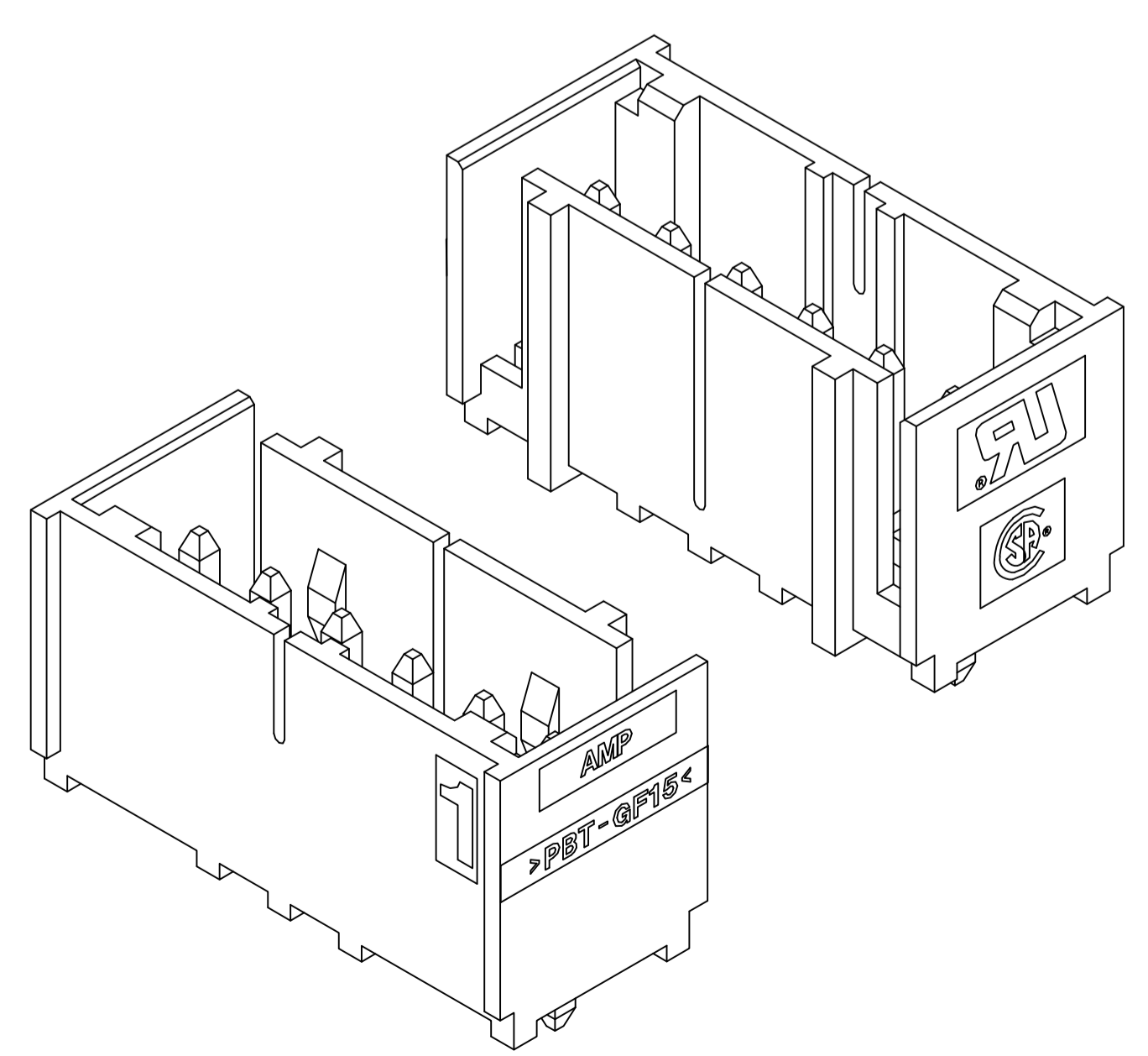
0.13[.005]/25.40[1.000]

POST 1

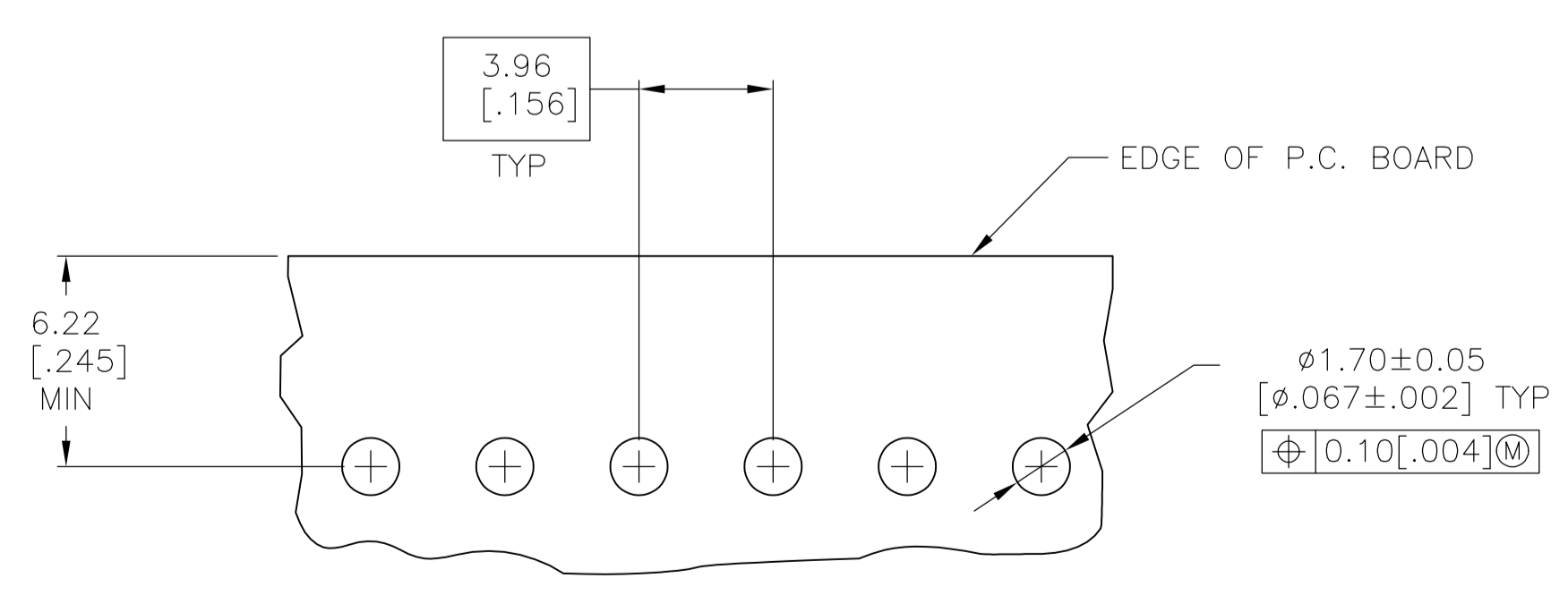
SOLDERTAIL



SECTION A-A



3-DIMENSIONAL MODEL NTS



RECOMMENDED MOUNTING HOLE PATTERN FOR 1.57[.062] THICK P.C. BOARD

- MATERIAL:
HOUSING - THERMOPLASTIC POLYESTER, GLASS FILLED, UL94-0.
POST - COPPER ALLOY
- FINISH:
HOUSING - BLACK
POST - SEE NOTES 12 AND 13.
- POST TO WITHSTAND 3LBS (16N) MIN AXIAL FORCE IN THIS DIRECTION WITHOUT DISLODGING.
- APPLIES AT -A-.
- APPLIES WHEN HEADER IS STRAIGHT.
- PLASTIC PROJECTIONS PERMITTED IN THIS ZONE.
- COORDINATE DIMENSIONS APPLIES FROM CENTER OF ACTUAL FEATURE.
- SOLDER SIDE OF BOARD IS SHOWN.
- POST SOLDER TAIL MUST COMPLY WITH AMP SOLDERABILITY SPEC 109-11-2.
- LATCH DETENT FEATURE APPEARS 1 PLACE ON EACH END OF PART (MAX OF 2 PER PART) ON ALL POSITIONS 4 THRU 12. THE LATCH APPEARS ONLY ONE PLACE ON 2 & 3 POSITION PARTS.
- DIMENSIONS IN BRACKETS ARE IN INCHES.
- MATTE TIN PLATE 0.00381 - 0.00889 [.000150 - .000350] THICK, OVER NICKEL UNDERPLATE 0.00127 [.000050] MIN THICK.
- MATTE TIN PLATE 0.00381 - 0.00889 [.000150 - .000350] THICK, OVER NICKEL UNDERPLATE 0.00127 [.000050] MIN THICK.
- OBSOLETE PARTS: OBSOLETE CIS STREAMLINING PER D.RENAUD/D.SINISI

647123-6 SHOWN

REV	DATE	BY	CHK	APPV	DESCRIPTION	NO. OF POSN	PART NUMBER
13	49.94	1.966	12	3-647123-2			
	45.97	1.810	11	3-647123-1			
	42.01	1.654	10	3-647123-0			
	38.05	1.498	9	2-647123-9			
	34.09	1.342	8	2-647123-8			
	30.12	1.186	7	2-647123-7			
	26.16	1.030	6	2-647123-6			
	22.20	.874	5	2-647123-5			
	18.24	.718	4	2-647123-4			
	14.27	.562	3	2-647123-3			
	10.31	.406	2	2-647123-2			
12	49.94	1.966	12	1-647123-2			
	45.97	1.810	11	1-647123-1			
	42.01	1.654	10	1-647123-0			
	38.05	1.498	9	1-647123-9			
	34.09	1.342	8	1-647123-8			
	30.12	1.186	7	1-647123-7			
	26.16	1.030	6	1-647123-6			
	22.20	.874	5	1-647123-5			
	18.24	.718	4	1-647123-4			
	14.27	.562	3	1-647123-3			
	10.31	.406	2	1-647123-2			

THIS DRAWING IS A CONTROLLED DOCUMENT.

DIMENSIONS: mm [INCHES]	TOLERANCES UNLESS OTHERWISE SPECIFIED:	DIN S CARPENTER 22JUL03	NAME
0 PLC ± -	1 PLC ± -	CHK D BOSSI 22JUL03	MTA-156 SHROUDED HEADER ASSEMBLY, STRAIGHT .045 SQUARE POST, TIN W/O RETENTION PEG
2 PLC ± -	3 PLC ± -	APPV D BOSSI 22JUL03	PRODUCT SPEC
4 PLC ± -	ANGLES ± -	APPLICATION SPEC	SIZE
MATERIAL	FINISH	WEIGHT	SCALE
			5:1

STE TE Connectivity

CUSTOMER DRAWING SCALE 5:1 SHEET 1 OF 1 REV G1

单击下面可查看定价，库存，交付和生命周期等信息

[>>TE Connectivity\(泰科\)](#)