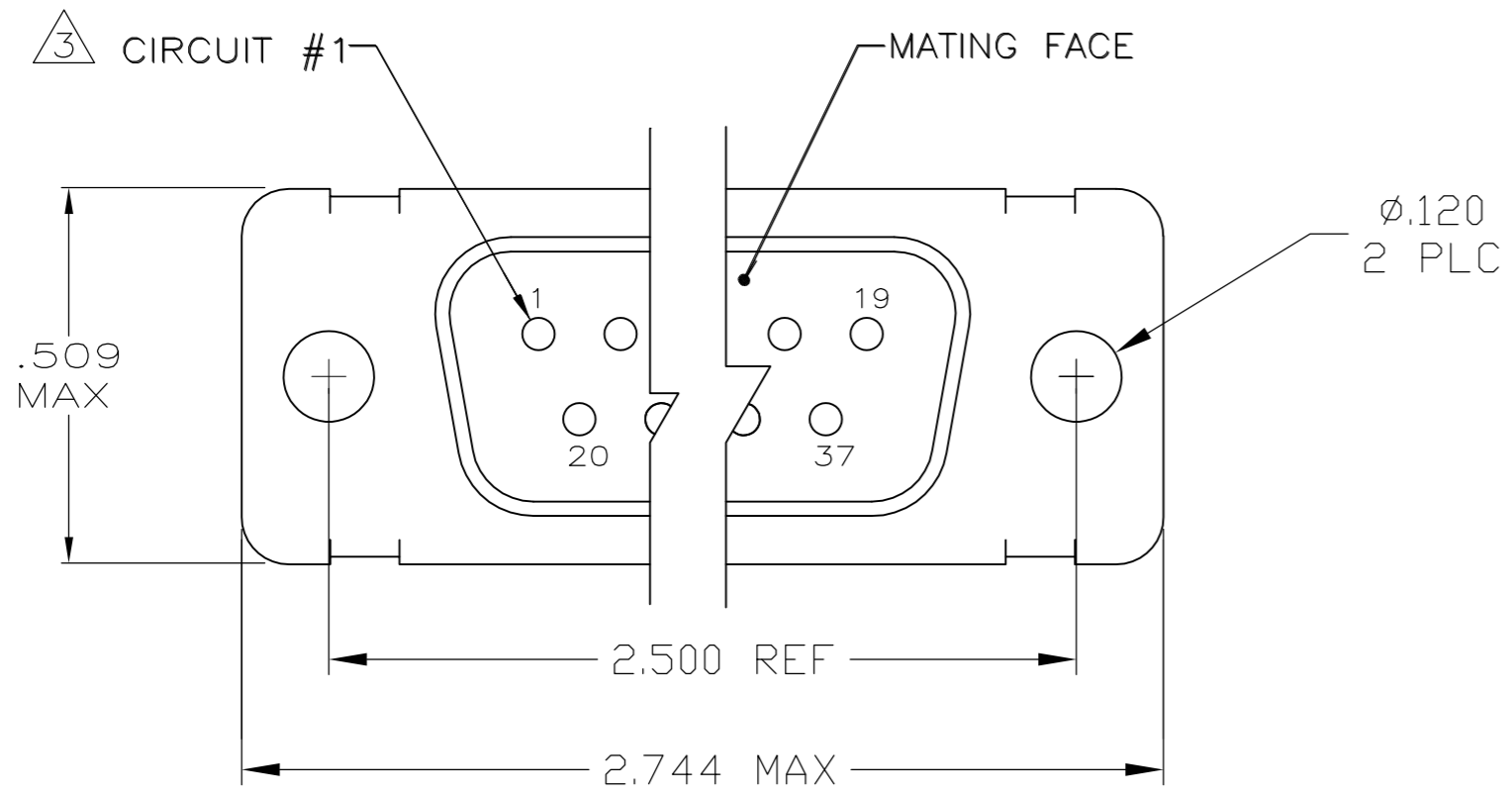
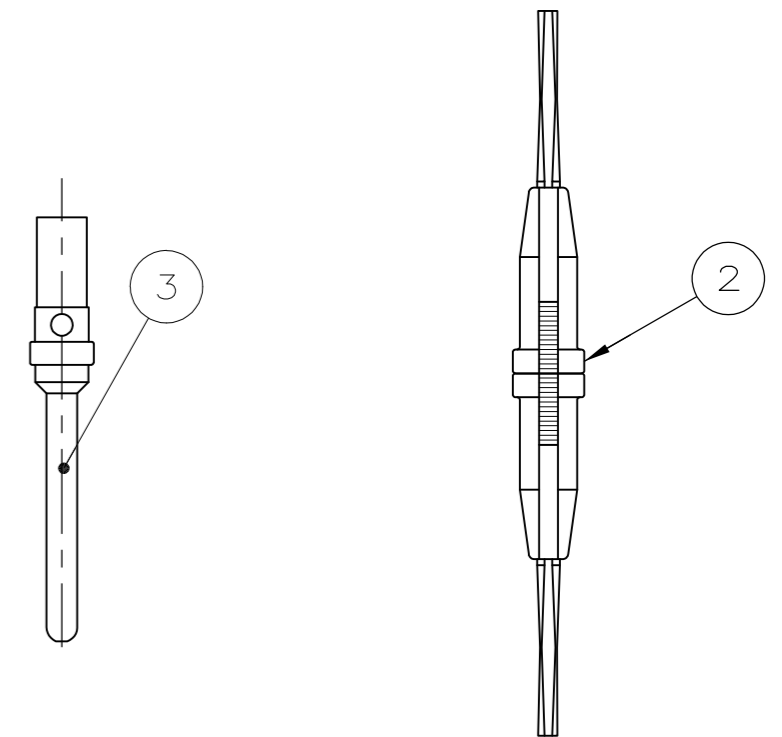
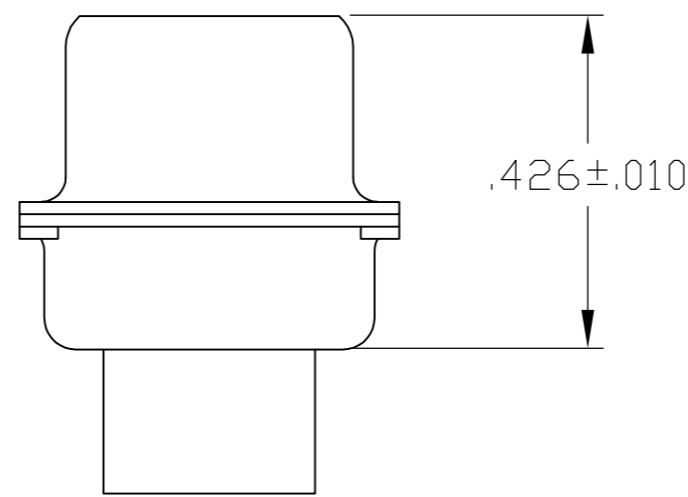
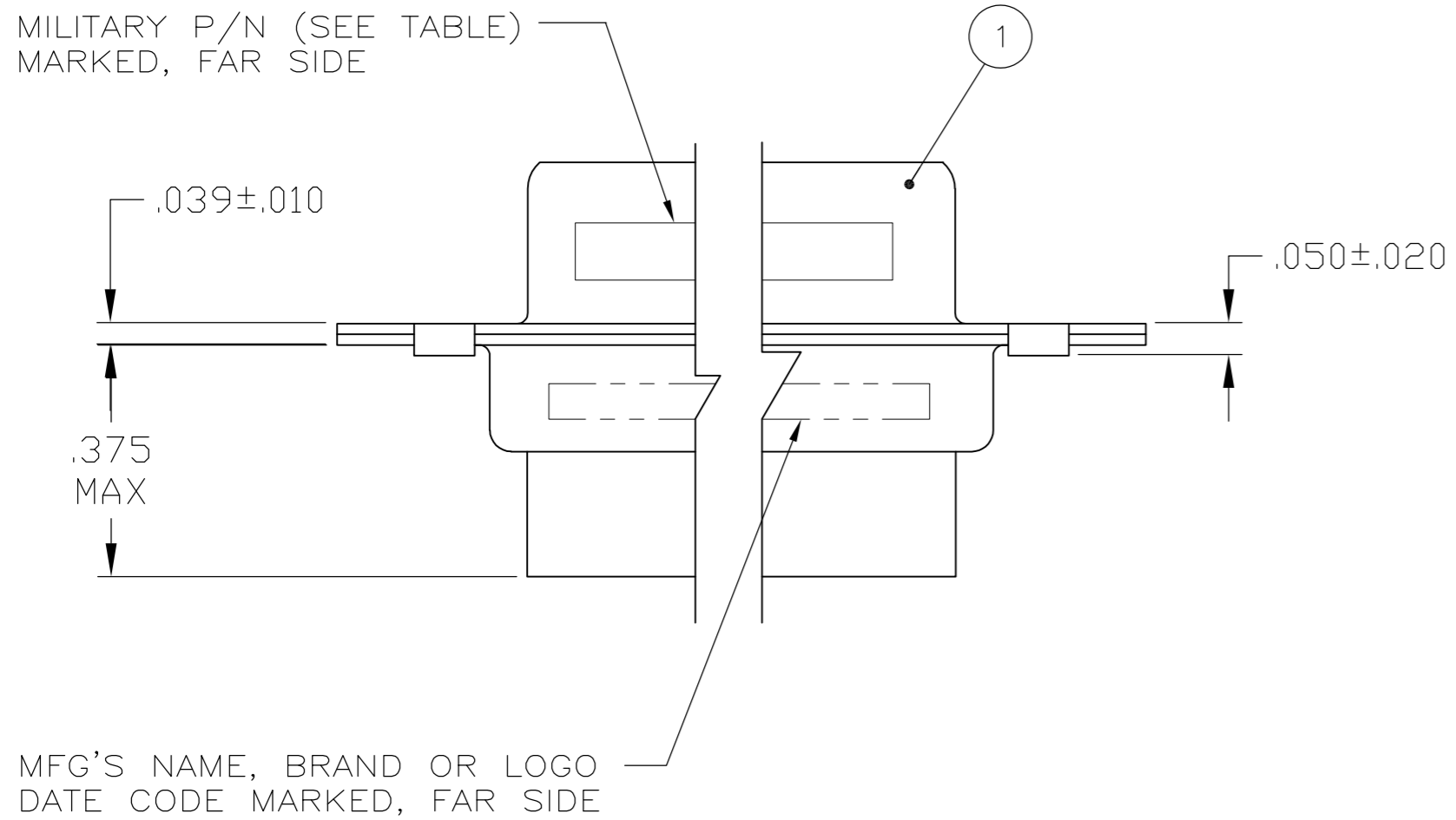


THIS DRAWING IS UNPUBLISHED. RELEASED FOR PUBLICATION  
 © COPYRIGHT BY TYCO ELECTRONICS CORPORATION. ALL INTERNATIONAL RIGHTS RESERVED.

LOC		DIST		REVISIONS			
P	LTR	DESCRIPTION	DATE	DWN	APVD		
	K	REV PER ECO 10-012636	08JUL10	PY	RL		



1 FOR CONNECTOR ASSEMBLIES, TE CONTACT PART NOS. 205089-1 MUST BE ORDERED SEPARATELY. CONNECTORS WITH CONTACTS ARE SUPPLIED WITH CONTACT 205089-1



OBSELETE	205562-5	M24308/8-9F	205089-1	91067-2	205168-2	205562-5
SUPERSEDED BY 206802-2 AND 205089-1	205562-4	M24308/8-4F	205089-1	-	205168-2	205562-4
	205562-3	M24308/4-9F	205089-1	91067-2	205168-1	205562-3
	205562-2	M24308/4-4F	205089-1	-	205168-1	205562-2
SUPERSEDED BY 205168-1 AND 91067-2	205562-1	-	-	91067-2	205168-1	205562-1
	TE P/N MARKED ON PACKAGE	MILITARY P/N MARKED ON PACKAGE	3 PIN CONTACT QTY. = 37	2 INSERTION/EXTRACTION TOOL QTY. = 1	1 PLUG ASSY QTY. = 1	PART NUMBER

THIS DRAWING IS A CONTROLLED DOCUMENT.

DWN P. YEAGER 11MAR09	Tyco Electronics Corporation Harrisburg, PA 17105-3608
CHK R. LEASE 12MAR09	
APVD R. LEASE 12MAR09	
PRODUCT SPEC	
APPLICATION SPEC	NAME AMPLIMITE, KIT,HDM-20, SERIES, PLUG, SIZE 4, 37 POSITION
WEIGHT -	SIZE A2 CAGE CODE 00779 DRAWING NO C=205562 RESTRICTED TO -
CUSTOMER DRAWING	SCALE 4:1 SHEET 1 of 1 REV K

DIMENSIONS:	TOLERANCES UNLESS OTHERWISE SPECIFIED:
INCHES	0 PLC ± -
	1 PLC ± -
	2 PLC ± -
	3 PLC ± .005
	4 PLC ± -
	ANGLES ± -
MATERIAL -	FINISH -

单击下面可查看定价，库存，交付和生命周期等信息

[>>TE Connectivity\(泰科\)](#)