

THIS DRAWING IS UNPUBLISHED.

RELEASED FOR PUBLICATION

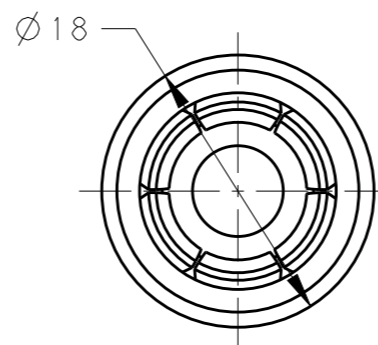
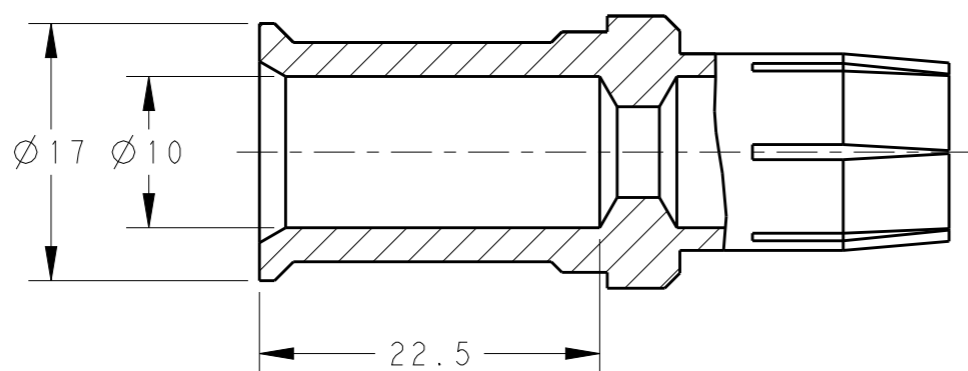
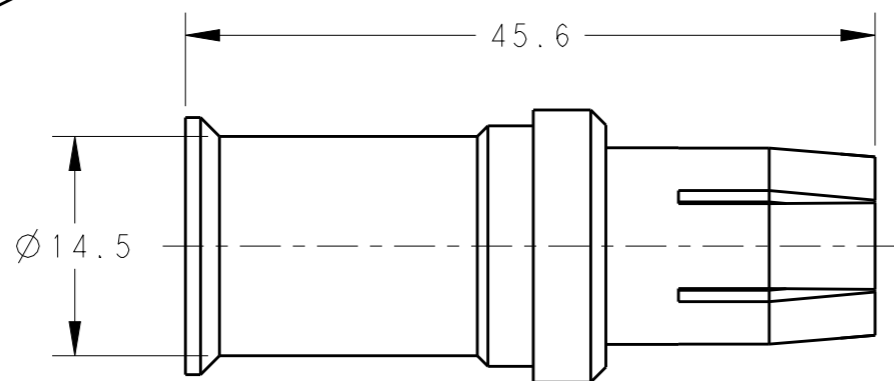
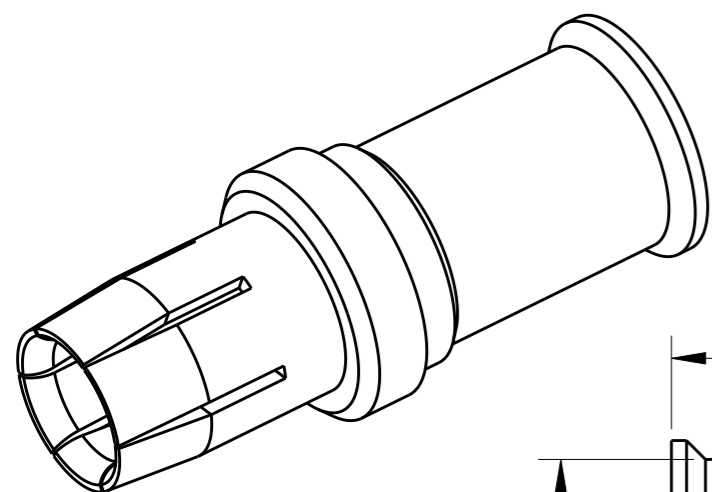
20

© COPYRIGHT 20 BY -

ALL RIGHTS RESERVED.

REVISIONS

| P | LTR | DESCRIPTION   | DATE      | DWN | APVD |
|---|-----|---------------|-----------|-----|------|
|   | A   | INITIAL       | 11MAY2015 | DW  | CW   |
|   | A1  | ECR-17-018349 | 14DEC2017 | DW  | CW   |
|   |     |               |           |     |      |
|   |     |               |           |     |      |



NOTES:

- TECHNICAL CHARACTERISTICS:  
 CONTACT MATERIAL: BRASS  
 SURFACE PLATING:  
     SILVER PLATING:  $\geq 2\mu\text{m}$   
 CONTACT RESISTANCE:  $\leq 0.5\text{m}\Omega$   
 WIRE RANGE:  $50\text{mm}^2$   
 OPERATION TEMPERATURE:  $-40\sim+125^\circ\text{C}$

注释:

- 技术参数:  
 公针材料: 黄铜  
 表面电镀:  
     镀银:  $\geq 2\mu\text{m}$   
 接触电阻:  $\leq 0.5\text{m}\Omega$   
 接线范围:  $50\text{mm}^2$   
 工作温度:  $-40\sim+125^\circ\text{C}$

|  |                        |  |  |                                    |
|--|------------------------|--|--|------------------------------------|
| T2060002050-000                        | CHF-50                 | CHF-50, SILVER PLATING<br>HMN-001母针 $50\text{mm}^2$ , 镀银 | 50   | 22.5                               |
| PART NUMBER<br>料号                      | PART DESCRIPTION<br>描述 |  | WIRE GAUGE ( $\text{mm}^2$ )<br>线规 ( $\text{mm}^2$ ) | STRIPPING LENGTH (mm)<br>剥线长度 (mm) |
| THIS DRAWING IS A CONTROLLED DOCUMENT. |                        | DWN 11MAY2015<br>David Wang                              |  |                                    |
| DIMENSIONS:<br>mm                      |                        | CHK 11MAY2015<br>Chris Wang                              |  |                                    |
| TOLERANCES UNLESS OTHERWISE SPECIFIED: |                        | APVD 11MAY2015<br>Xiang Xu                               | NAME<br>CHF-50<br>HM SOCKET CONTACT                  |                                    |
| 0 PLC $\pm$ -                          |                        | PRODUCT SPEC<br>108-137057                               | SIZE   |                                    |
| 1 PLC $\pm$ -                          |                        | APPLICATION SPEC<br>114-137057                           | CAGE CODE  |                                    |
| 2 PLC $\pm$ -                          |                        | WEIGHT   | DRAWING NO   |                                    |
| 3 PLC $\pm$ -                          |                        | Customer Drawing   | A300779  |                                    |
| 4 PLC $\pm$ -                          |                        |  | G-T2060002050000                                     |                                    |
| ANGLES $\pm$ -                         |                        |  | RESTRICTED TO  |                                    |
| FINISH                                 |                        |  | SCALE  |                                    |
| -                                      |                        |  | 2:1  |                                    |
| -                                      |                        |  | SHEET  |                                    |
|  |                        |  | 1 OF 1   |                                    |
|  |                        |  | REV  |                                    |
|  |                        |  | A1   |                                    |

单击下面可查看定价，库存，交付和生命周期等信息

[>>TE Connectivity\(泰科\)](#)