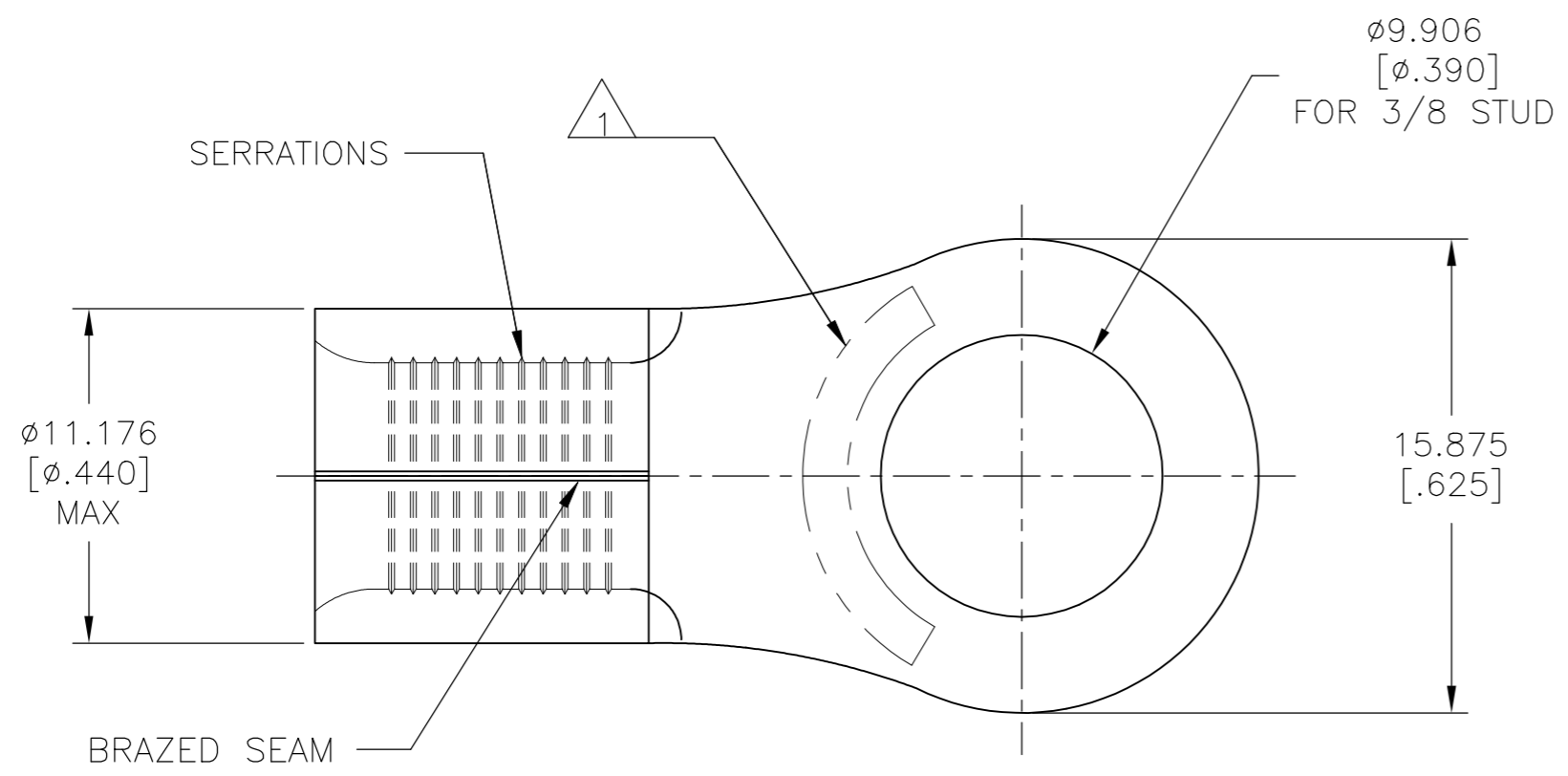


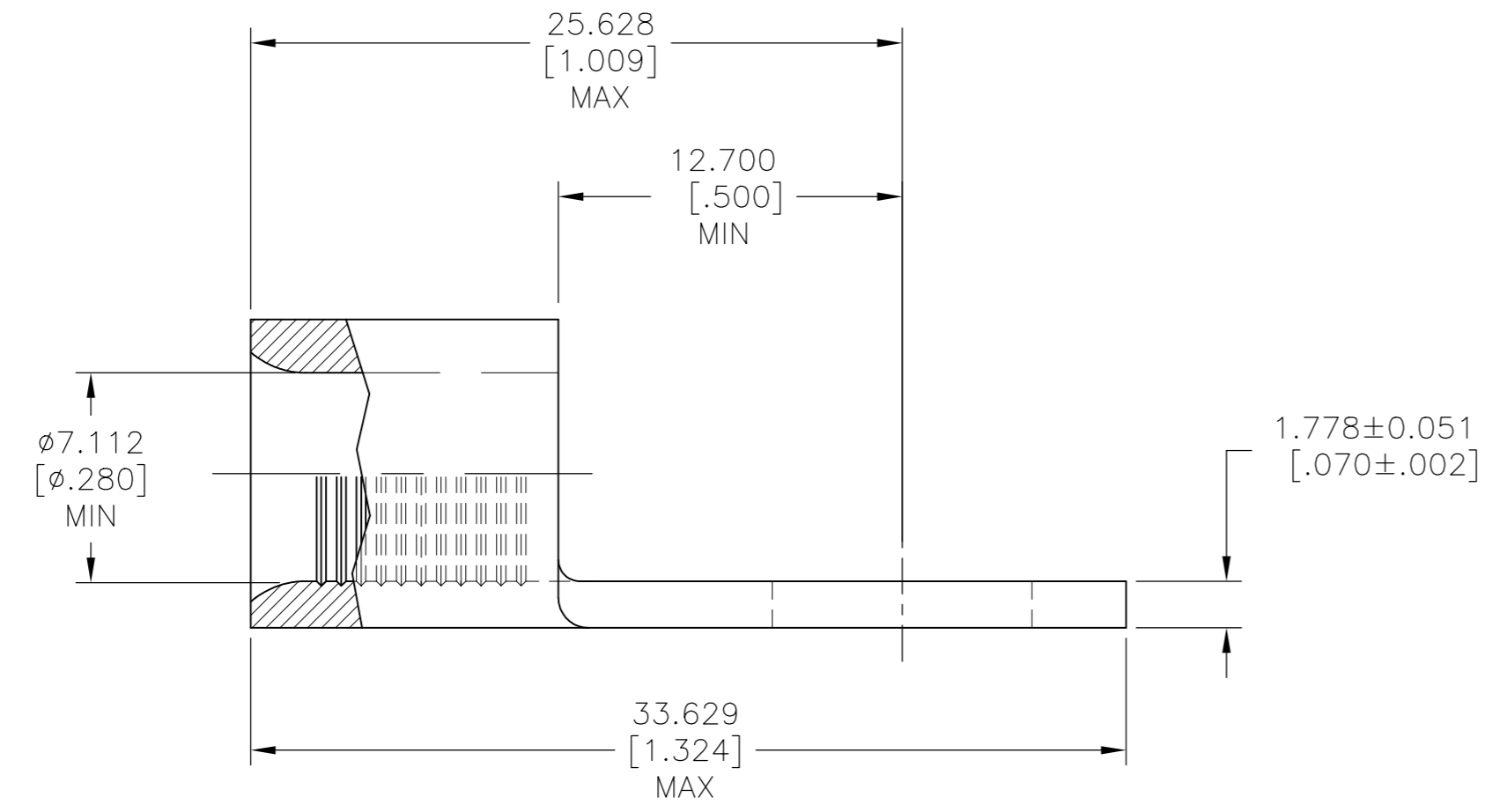
THIS DRAWING IS UNPUBLISHED. RELEASED FOR PUBLICATION  
 © COPYRIGHT - By - ALL RIGHTS RESERVED.

REVISIONS					
P	LTR	DESCRIPTION	DATE	DWN	APVD
G2		REVISED PER ECO-16-008889	15JUN2016	NK	DR
G3		REVISED PER ECR-17-001629	23FEB2017	RS	DR
G4		REVISED PER ECO-17-008806	20FEB2018	RS	DR



<b>AMP</b> WIRE RANGE	<b>UL</b> Listed FILE E13288	<b>LR7189</b> Certified
4 AWG SOLID OR STRANDED	4 AWG STRANDED	4 AWG SOLID OR STRANDED

- 1 STAMP AMP 4W\* APPROX AS SHOWN
- 2 TIN PLATE 0.00254 [0.00100] MIN THK PER ASTM B-545
- 3 NOTE DELETED
- 4 COPPER PER ASTM B-152, ANNEALED
- 5 MEETS MS20659-112, CLASS 2
- 6 NOTE DLETED
- 7 UL 486 A-B OR SAE AS 7928



100	LOOSE PIECE	2	31812 5
QTY	PACKAGE TYPE	FINISH	PART NO.

AMP INCORPORATED CUSTOMER SERVICE SYSTEMS		
FOR ADDITIONAL PRODUCT INFORMATION OR COPIES OF DRAWINGS AND TECHNICAL DOCUMENTS	PRODUCT INFORMATION CENTER 1-800-522-6752	MAX RECOMMENDED OPERATING TEMPERATURE: 170°C [338°F] MAX
FOR APPLICATION TOOLING INFORMATION	TOOLING ASSISTANCE CENTER 1-800-722-1111	VOLTAGE RATING: N/A
FOR ORDER ENTRY	1-800-526-5142	CIRCULAR MIL AREA: 16.8-26.7mm² [33,100-52,600] SOLID OR STRANDED

THIS DRAWING IS A CONTROLLED DOCUMENT.		DWN TA BRINKMAN 3-29-93	<b>STE</b> TE Connectivity Ltd.	
DIMENSIONS: mm [INCHES]		CHK DA PATTERSON 3-29-93	NAME	
TOLERANCES UNLESS OTHERWISE SPECIFIED:		APVD JL MECKLEY 3-29-93	PRODUCT SPEC	
0 PLC ± -	1 PLC ± -	2 PLC ± -	APPLICATION SPEC	
3 PLC ± 0.127[.005]	4 PLC ± -	ANGLES ± -	SIZE CAGE CODE DRAWING NO RESTRICTED TO	
MATERIAL	FINISH	WEIGHT	A2 00779 C-31812	-
4	SEE TABLE	CUSTOMER DRAWING	SCALE 4:1	SHEET 1 OF 1 REV G4

单击下面可查看定价，库存，交付和生命周期等信息

[>>TE Connectivity\(泰科\)](#)