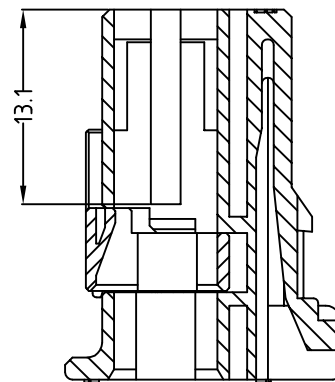
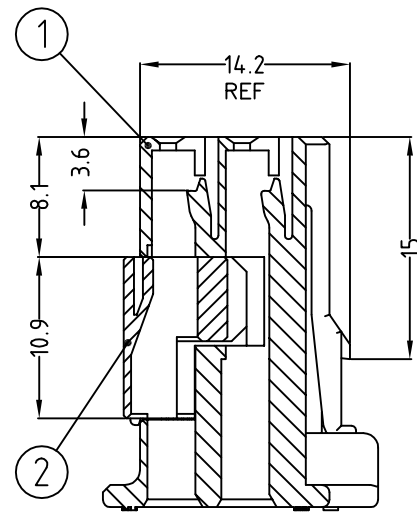
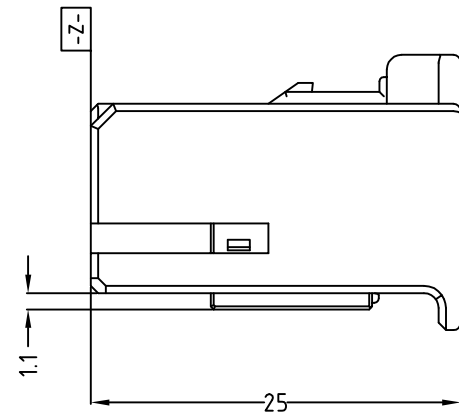
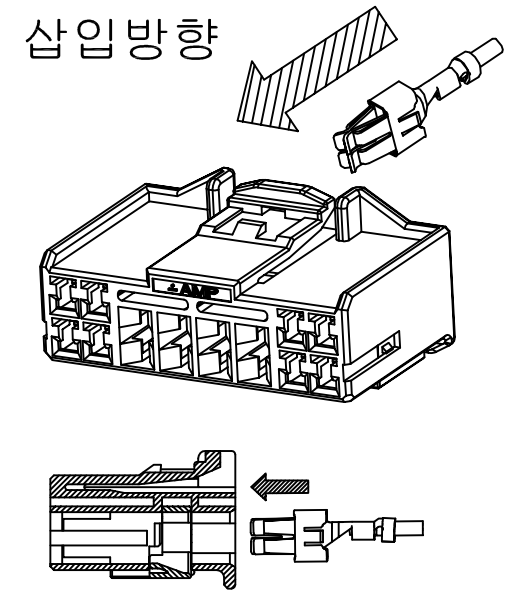
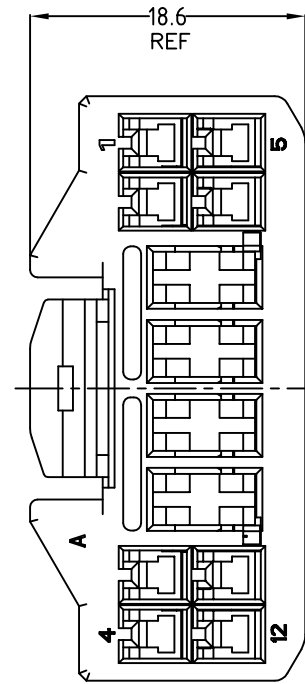
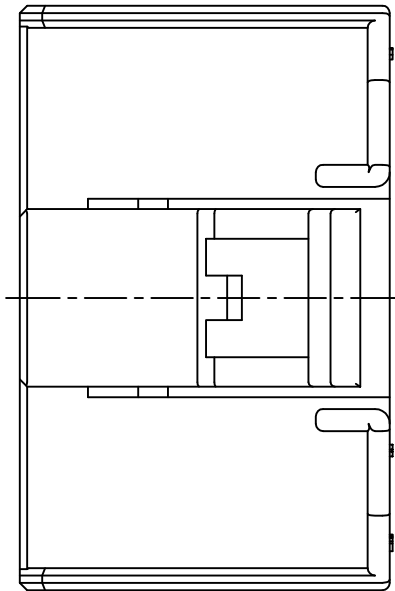
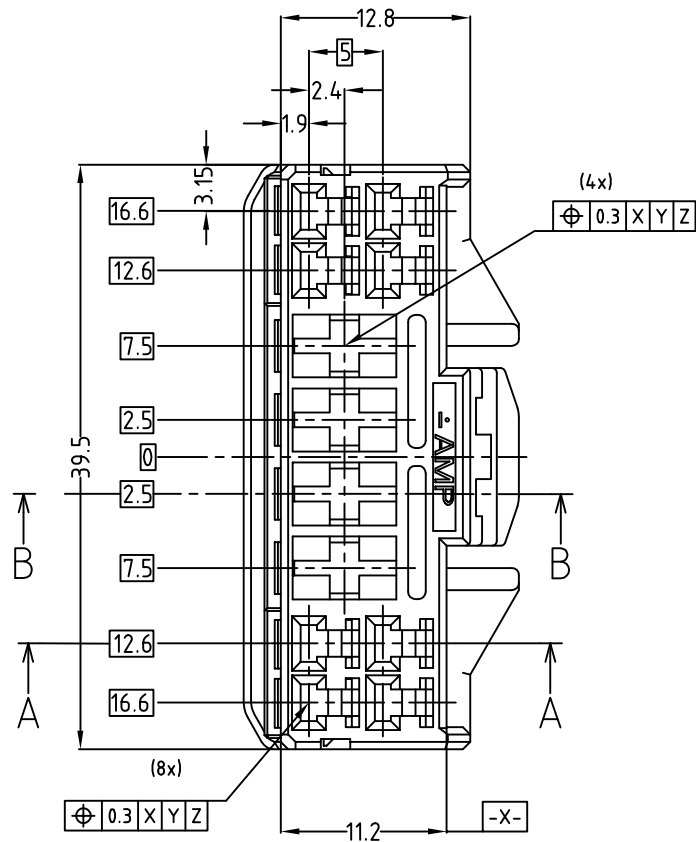


THIS DRAWING IS UNPUBLISHED. RELEASED FOR PUBLICATION  
 © COPYRIGHT BY TYCO ELECTRONICS CORPORATION, ALL RIGHTS RESERVED.

LOC	DIST	REVISIONS					
		P	LTR	DESCRIPTION	DATE	DWN	APVD
DS	-		A2	REVISED (ECR-06-024059)	25.JAN.'07	CM	JK
			A3	REVISED (ECR-09-019350)	31.AUG.'09	KT	HG
			A4	REVISED (ECR-12-019821)	15.NOV.'12	JM	HG



A-A

B-B

NOTE

- 1. APPLIED CONTACT P/N;  
 090 II- 368083, 368084, 368085  
 090 III- 1743654, 1743655, 1743656  
 S.P.T.-927840-2,927831-2,927827-2,927829-2,964203-1,964204-1
- 2. APPLICABLE PRODUCT SPEC NO. ; 108-61046

-주기-

- 1. 적용단자 P/N. ; 090 II - 368083, 368084, 368085  
 090 III - 1743654, 1743655, 1743656  
 S.P.T. - 927840-2, 927831-2, 927827-2, 927829-2, 964203-1, 964204-1
- 2. 적용제품 규격서 ; 108-61046

ASSY P/N	DESCRIPTION
936372-4	090/250 HYB 12P PLUG ASSY
936372-1	090/250 HYB 12P PLUG ASSY

NO.	COLOR	MATERIAL	DESCRIPTION	QTY
2	NATURAL	PBT	DBL HSG	1
1	BROWN	PBT	PLUG HSG	1
	NATURAL	PBT	PLUG HSG	1

THIS DRAWING IS A CONTROLLED DOCUMENT FOR TYCO ELECTRONICS CORPORATION  
 IT IS SUBJECT TO CHANGE AND THE CONTROLLING ENGINEERING ORGANIZATION  
 SHOULD BE CONTACTED FOR THE LATEST REVISION.

DIMENSIONS: MM	TOLERANCES UNLESS OTHERWISE SPECIFIED: 0 <XX<10 ± 0.2 10<XX<30 ± 0.25 30<XX ± 0.3 ANGLES ± 3°
MATERIAL	FINISH
SEE TABLE	

DWN JM JEON	NAME <b>.090/.250 HYBRID 12P PLUG ASSEMBLY</b>
CHK JW JUNG	
APVD HG CHO	
PRODUCT SPEC -	
APPLICATION SPEC -	SIZE A3
WEIGHT -	CAGE CODE 00779
CUSTOMER DRAWING	DRAWING NO C-936372



RESTRICTED TO	-
SCALE	2/1
SHEET	1 OF 1
REV	A4

单击下面可查看定价，库存，交付和生命周期等信息

[>>TE Connectivity\(泰科\)](#)