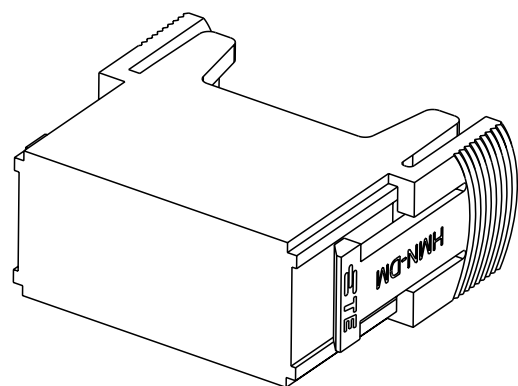
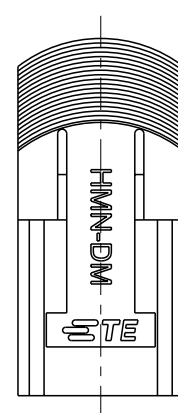
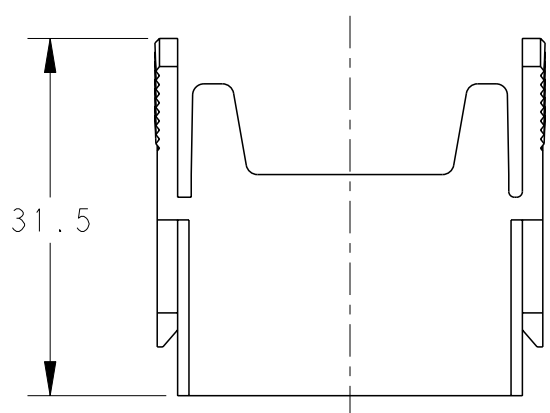
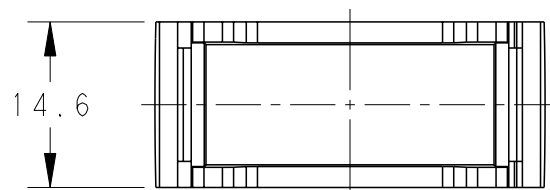


THIS DRAWING IS UNPUBLISHED. RELEASED FOR PUBLICATION 20  
 © COPYRIGHT 20 BY - ALL RIGHTS RESERVED.

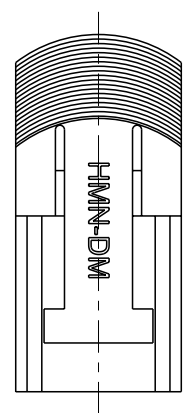
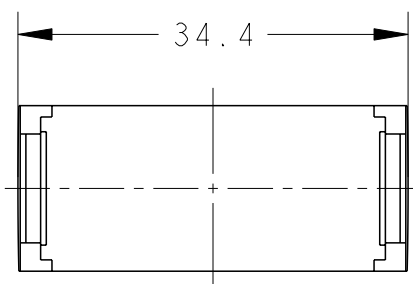
REVISIONS					
P	LTR	DESCRIPTION	DATE	DWN	APVD
	A	INITIAL	20APR2015	DW	CW
	A1	ECR-16-000089	05JAN2016	DW	CW



T3110009902-000 SHOWN  
带TE LOGO



T3110009902-000 SHOWN  
带TE LOGO



T3110009902-001 SHOWN, ALL DIMENSIONS ARE SAME AS T3110009902-000, EXCEPT WITHOUT LOGO  
不带 LOGO

NOTES:  
 1. TECHNICAL CHARACTERISTICS:  
 INSULATION MATERIAL: PC  
 OPERATION TEMPERATURE: -40°C~+125°C  
 BLIND MODULE

注释:  
 1. 技术参数:  
 绝缘材料: PC  
 工作温度: -40°C~+125°C  
 空白模块

T3110009902-001	HMN-DM WITHOUT LOGO
T3110009902-000	HMN-DM WITH LOGO
PART NUMBER	DESCRIPTION

THIS DRAWING IS A CONTROLLED DOCUMENT.

DIMENSIONS: mm	TOLERANCES UNLESS OTHERWISE SPECIFIED:
	0 PLC ±-
	1 PLC ±-
	2 PLC ±-
	3 PLC ±-
	4 PLC ±-
	ANGLES ±-
MATERIAL	FINISH
-	-
-	-

DWN	20APR2015
David Wang	
CHK	20APR2015
Chris Wang	
APVD	20APR2015
Xiang Xu	
PRODUCT SPEC	-
APPLICATION SPEC	-
WEIGHT	-
Customer Drawing	

TE Connectivity		NAME	
		HMN-DM	
SIZE	CAGE CODE	DRAWING NO	RESTRICTED TO
A3	00779	©-T3110009902000	-
SCALE		SHEET	REV
3:2		1 OF 1	A1

单击下面可查看定价，库存，交付和生命周期等信息

[>>TE Connectivity\(泰科\)](#)