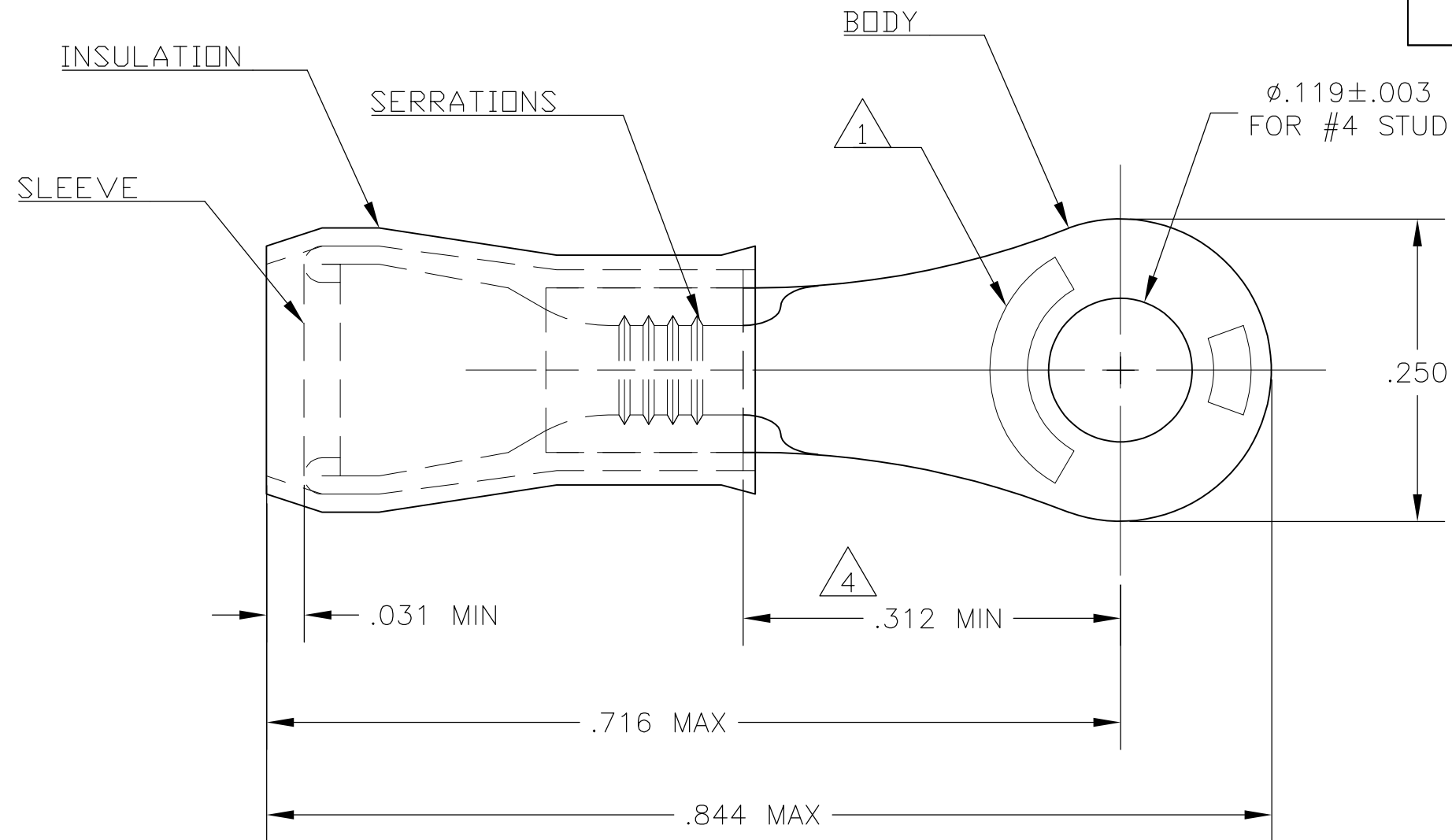


THIS DRAWING IS UNPUBLISHED. RELEASED FOR PUBLICATION  
 © COPYRIGHT BY TYCO ELECTRONICS CORPORATION. ALL RIGHTS RESERVED.

LOC	DIST	REVISIONS					
G	14	P	LTR	DESCRIPTION	DATE	DWN	APVD
		F1		REDRAWN PER ECR 09-016745	28JUL09	JR	TM

<b>AMP</b> WIRE RANGE	Listed FILE E13288	LR7189 Certified
22-16 AWG SOLID OR STRANDED	22-16 AWG SOLID OR STRANDED	22-16 AWG SOLID OR STRANDED



- ① STAMP "AMP 22-18\* 1-2"  
MARKING 22-18 FOR MILITARY  
COMMERCIAL RANGE 22-16
- 2 FOR .105-.140 WIRE INSULATION DIA
- 3 TONGUE MATL THK IS .031±.002
- ④ APPLIES FROM THE METAL EDGE OF  
THE BARREL TO THE CENTER OF  
THE STUD.

1	330648 ON TAPE	BODY & SLEEVE: COPPER PER ASTM B-152 TIN PL PER ASTM B-545 INSULATION: NYLON - RED (MIL-M-20693) TYPE I	2-330648-1
1	LOOSE PIECE		330648
QTY	PACKAGE TYPE	MATERIAL & FINISH	PART NO

<b>AMP INCORPORATED CUSTOMER SERVICE SYSTEMS</b>		MAX RECOMMENDED OPERATING TEMPERATURE: 105°C [221°F]
FOR ADDITIONAL PRODUCT INFORMATION OR COPIES OF DRAWINGS AND TECHNICAL DOCUMENTS	PRODUCT INFORMATION CENTER 1-800-522-6752	VOLTAGE RATING: 300V MAX
FOR APPLICATION TOOLING INFORMATION	TOOLING ASSISTANCE CENTER 1-800-722-1111	CIRCULAR MIL AREA: 0.26-1.65mm <sup>2</sup> [509-3260] SOLID OR STRANDED
FOR ORDER ENTRY	1-800-526-5142	THIS DRAWING IS A CONTROLLED DOCUMENT FOR AMP INCORPORATED. IT IS SUBJECT TO CHANGE AND THE CONTROLLING ENGINEERING ORGANIZATION SHOULD BE CONTACTED FOR THE LATEST REVISION.

THIS DRAWING IS A CONTROLLED DOCUMENT.	
DIMENSIONS: MM [ INCHES ]	TOLERANCES UNLESS OTHERWISE SPECIFIED:
	0 PLC ± - 1 PLC ± - 2 PLC ± - 3 PLC ± - 4 PLC ± - ANGLES ± 5'
MATERIAL	FINISH
-	-

DWN jr_ruth 24JUL09	Tyco Electronics Corporation Harrisburg, PA 17105-3608	
CHK TOM MICHIELUTTI 24JUL09	NAME	
APVD TOM MICHIELUTTI 24JUL09	RING TONGUE, PIDG, WIRE SIZE: 22-16	
PRODUCT SPEC	SIZE	CAGE CODE
-	A3	00779
APPLICATION SPEC	DRAWING NO	RESTRICTED TO
-	G-330648	-
WEIGHT	CUSTOMER DRAWING	SCALE
-	-	8:1
SHEET		REV
1 OF 1		F1

单击下面可查看定价，库存，交付和生命周期等信息

[>>TE Connectivity\(泰科\)](#)