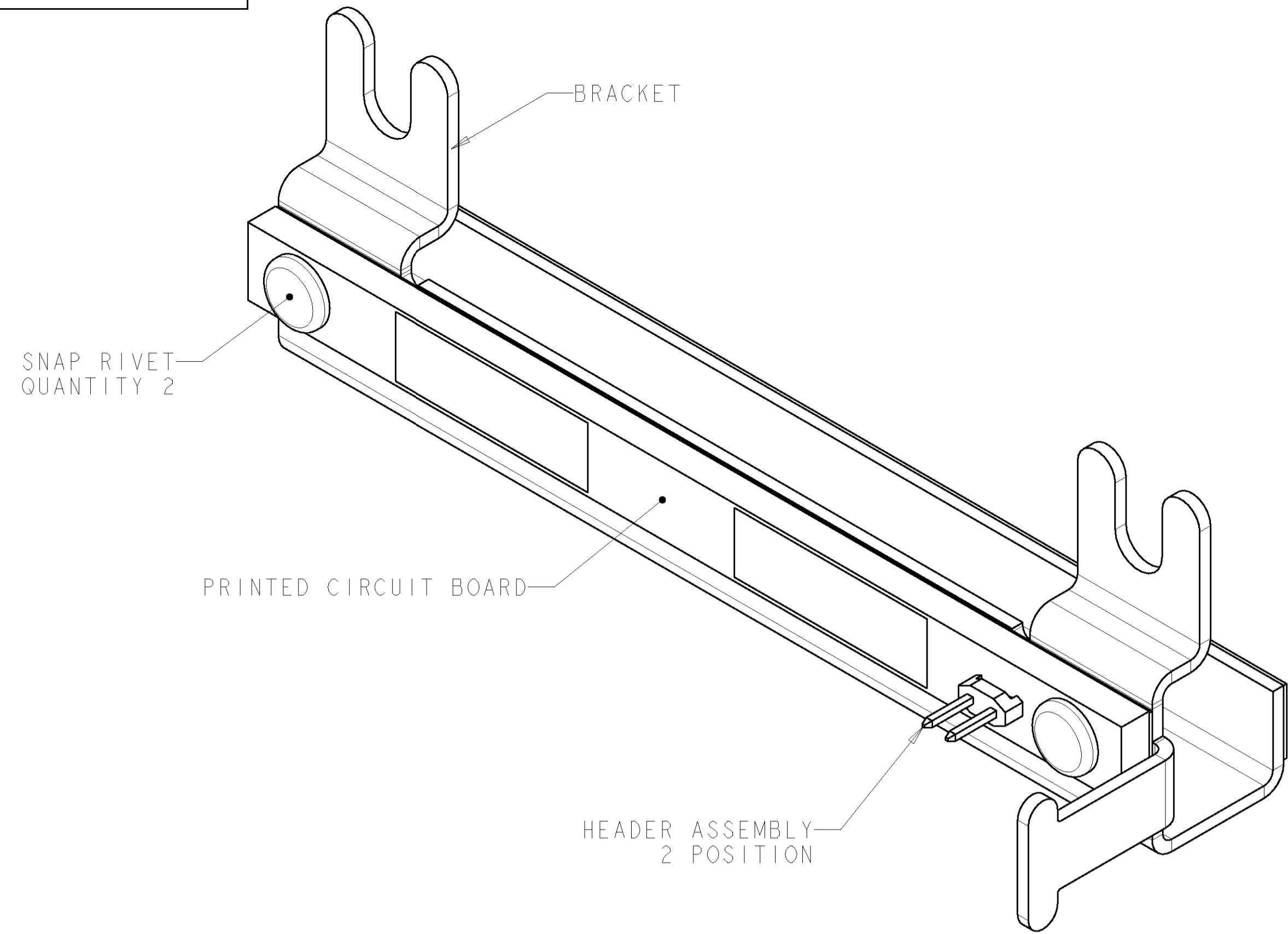
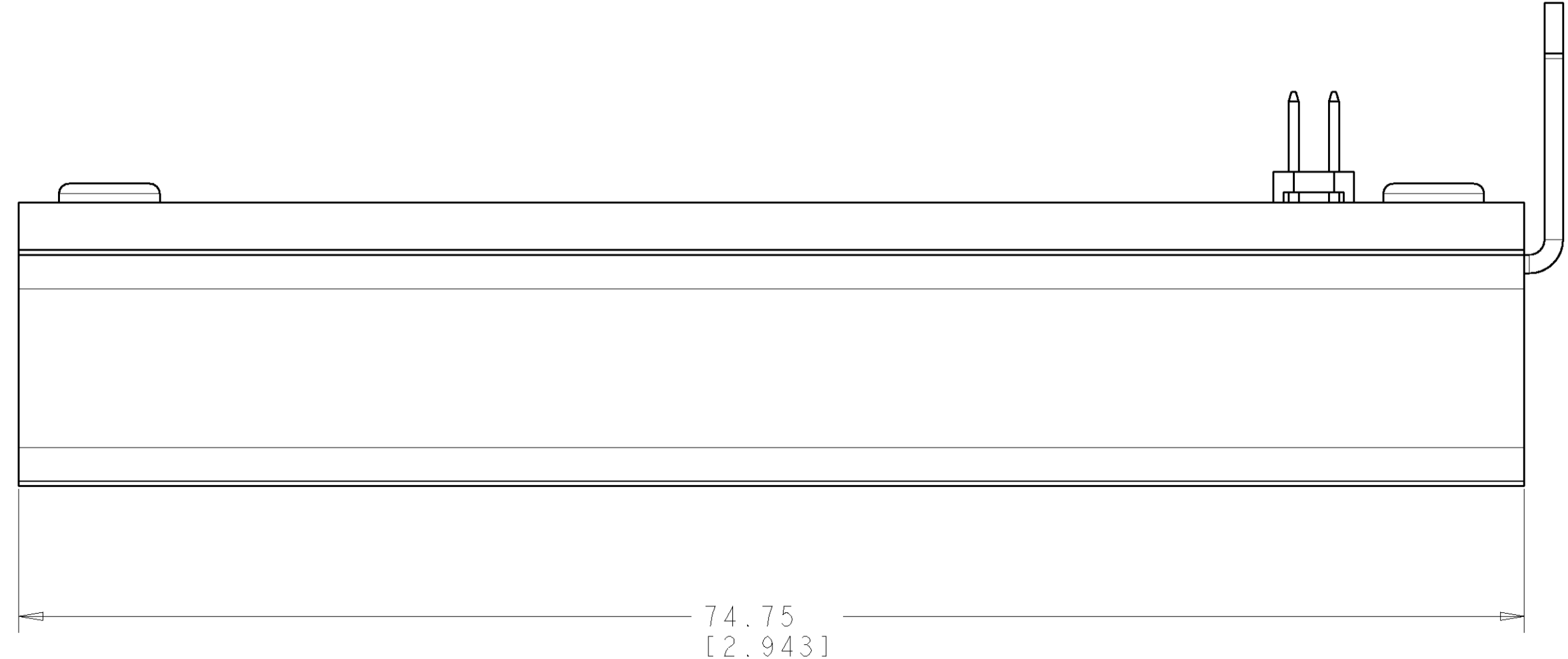
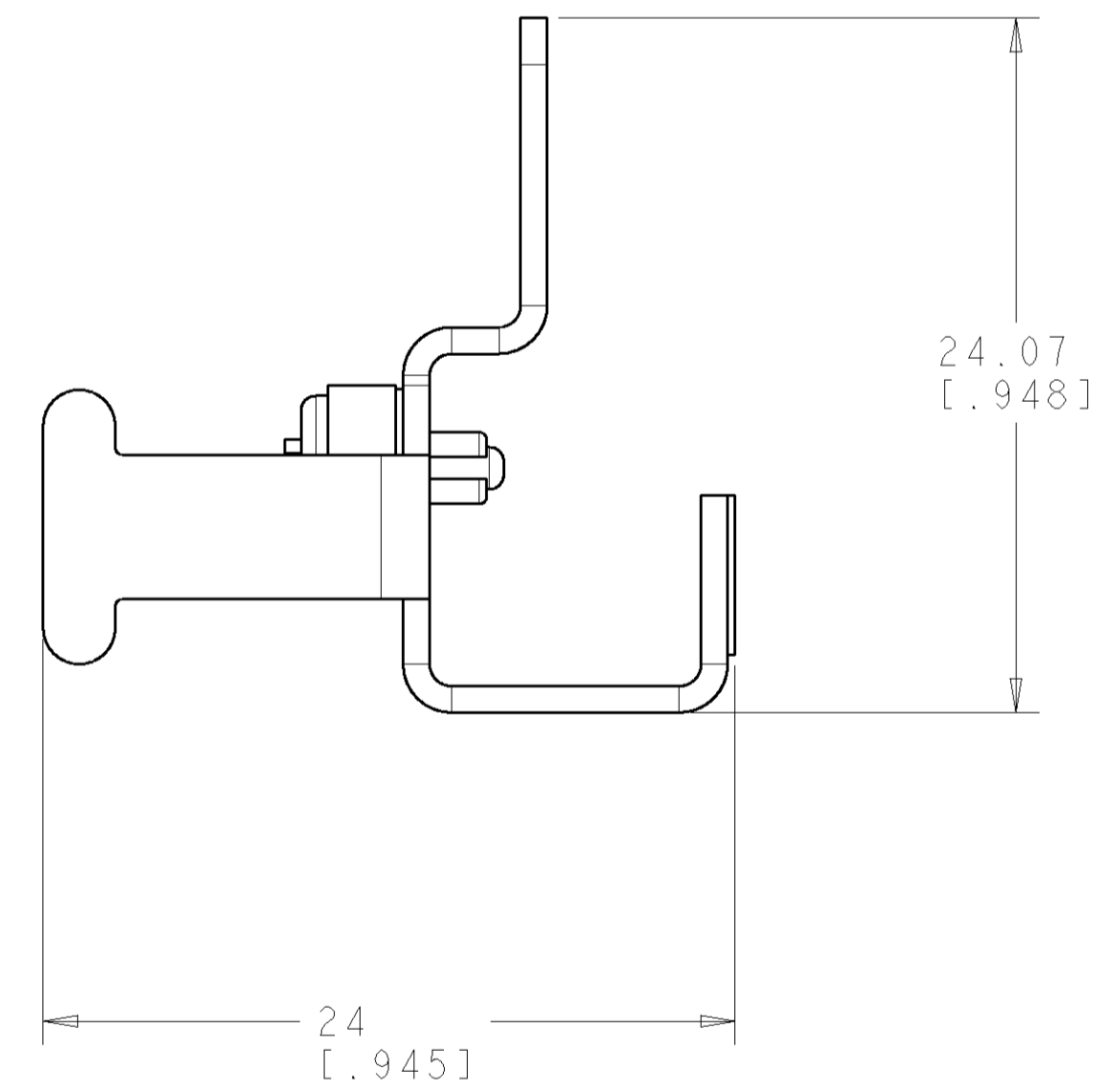
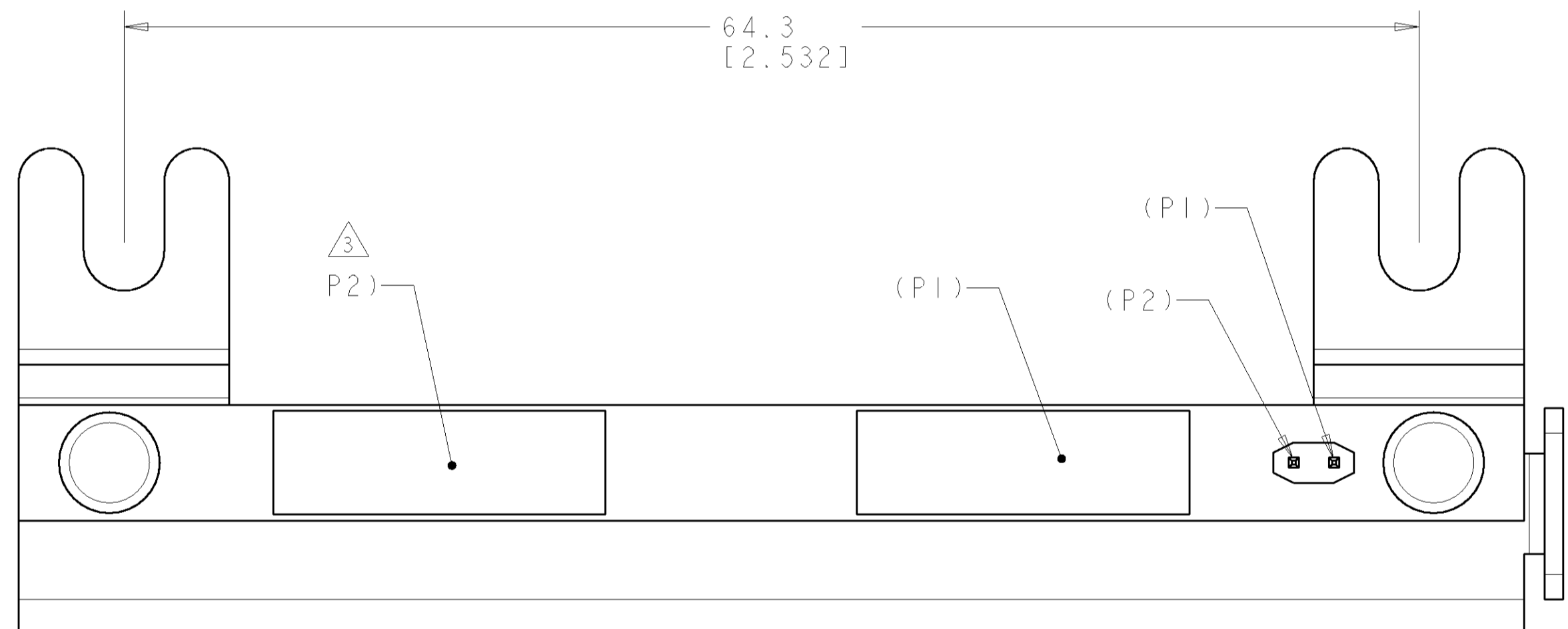


LOC		DIST		REVISIONS			
HM	00	P	LTR	DESCRIPTION	DATE	DWN	APVD
		A		RLSD; NPR NS004-136	08NOV2004	GG	PP
		B		ADD: -2; EC 0660-0004-05	25JAN2005	GG	MD



- ⚠ MATERIAL:
 PRINTED CIRCUIT BOARD - LAMINATED PLASTIC FR-4.
 ADHESIVE TAPE - MYLAR, 0.38 [0.015] THICK WITH ADHESIVE.
 HOUSING - THERMOPLASTIC, UL94V-0, BLACK.
 CONTACTS - COPPER ALLOY.
 BRACKET - COLD ROLL STEEL, BLACK.
 RIVETS - NYLON.
- ⚠ ALL DIMENSIONS SHOWN ARE NOMINAL.
- ⚠ (P_) CALLOUTS ARE FOR PIN TO PAD REFERENCE ONLY.



0.40 [0.016]	1479890-2
2.36 [0.093]	1479890-1
PCB THICKNESS	PART NUMBER

<small>THE DIMENSIONS TO WHICH THIS DRAWING IS REFERRED ARE THE DIMENSIONS OF THE PARTS AS MANUFACTURED UNLESS OTHERWISE SPECIFIED BY THIS DRAWING OR BY THE CUSTOMER'S DRAWING. DIMENSIONS TO WHICH THIS DRAWING IS REFERRED ARE THE DIMENSIONS OF THE PARTS AS MANUFACTURED UNLESS OTHERWISE SPECIFIED BY THIS DRAWING OR BY THE CUSTOMER'S DRAWING.</small>		DWN: G. GARRETT 08NOV2004 ENR: P. PEPE 08NOV2004 APVD: P. PEPE 08NOV2004	tyco Electronics Tyco Electronics Harrisburg, PA 17105-3608
DIMENSIONS: MM [INCHES]	TOLERANCES UNLESS OTHERWISE SPECIFIED: 0 PLC ± .2 1 PLC ± .1 2 PLC ± .1 3 PLC ± .1 4 PLC ± .1 ANGLES ± .1	PRODUCT SPEC APPLICATION SPEC WEIGHT CUSTOMER DRAWING	NAME: KIT, 2 PORT SENSOR STRIP, AMPTRAC SIZE: A 00779 C=1479890 SCALE: 4:1 SHEET 1 OF 1 REV B

单击下面可查看定价，库存，交付和生命周期等信息

[>>TE Connectivity\(泰科\)](#)