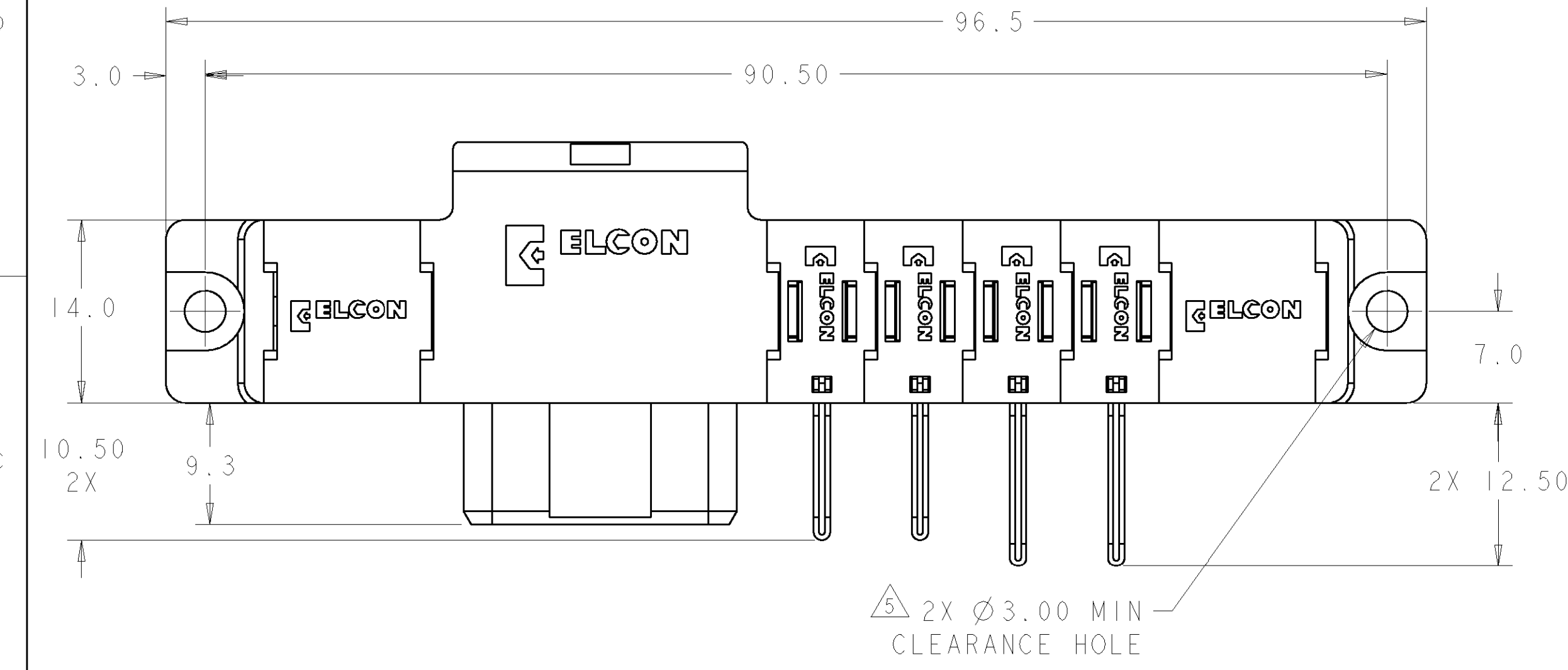


LOC	DIST	REVISIONS				
P	LTR	DESCRIPTION	DATE	DWN	APVD	
GP	00	A	NEW RELEASE	20JUL2007	RG PD	



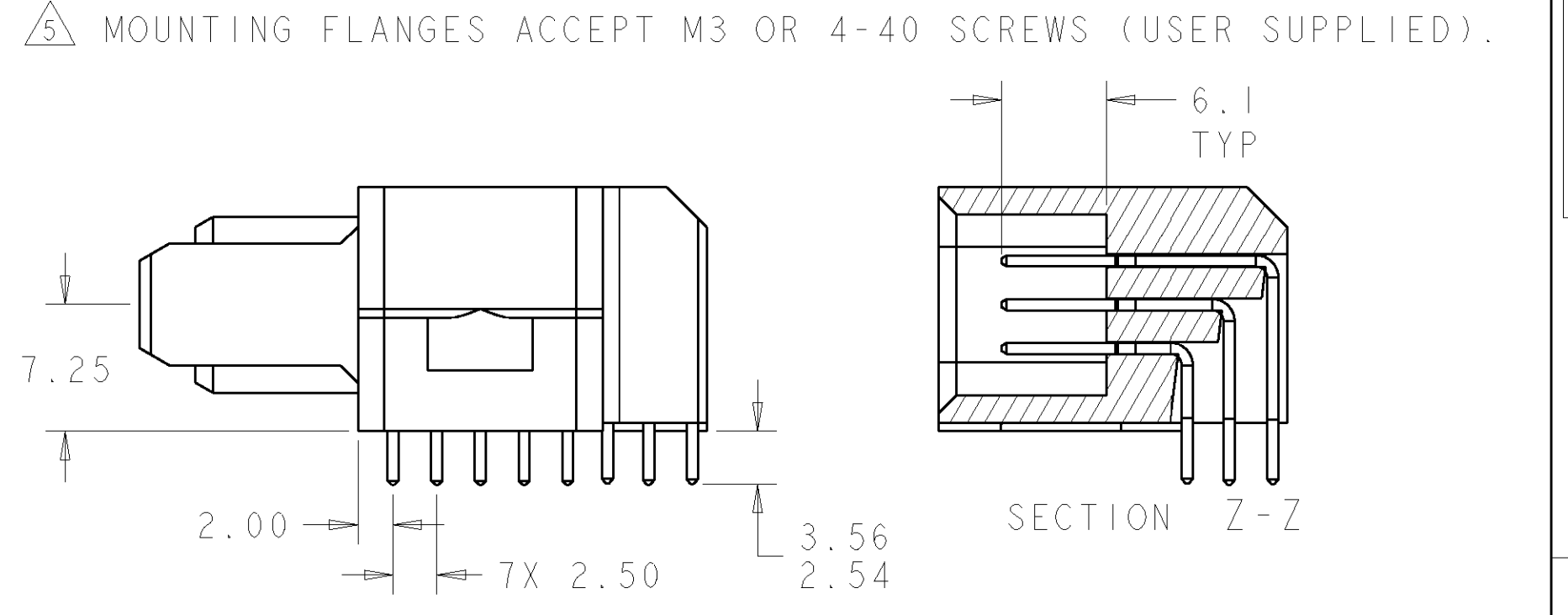
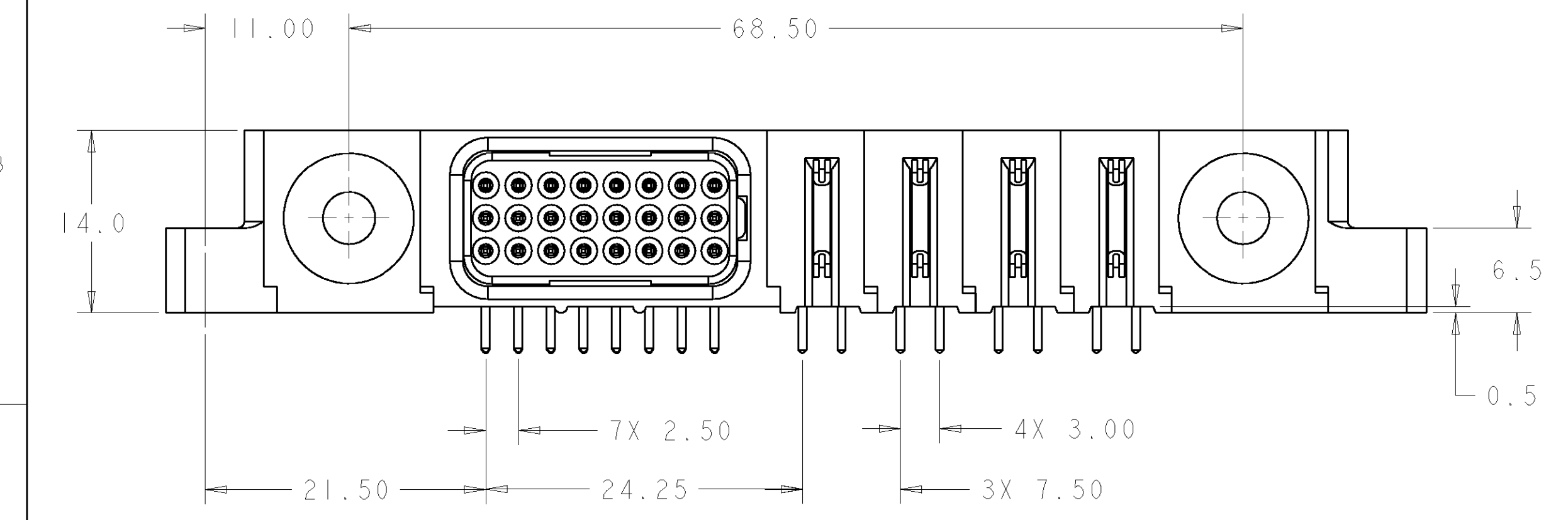
- PART NUMBER CHANGES AND OR DESIGN CHANGES AFFECTING ITEM INTERCHANGEABILITY REQUIRE PRIOR TYCO ELECTRONICS APPROVAL AND AUTHORIZATION BY REVISION TO THIS DRAWING.
- MATERIAL:
 INSULATORS - THERMOPLASTIC, GLASS REINFORCED, COLOR: BLACK
 UL94V-0 FLAMMABILITY RATED.
 SIGNAL CONTACTS: PHOSPHOR BRONZE ALLOY
 POWER CONTACTS - PHOSPHOR BRONZE ALLOY, COPPER ALLOY
 CROWN BANDS: BERYLLIUM COPPER ALLOY
- FINISH:
 CONTACTS - GOLD PLATE 0.76µm MIN. THK., OVER NICKEL 1.27µm MIN. THK.
 SOLDER TAILS, TIN 3.05µm MIN. THK. OVER NICKEL 1.27µm MIN. THK.

△ ITEMS PROVIDED TO THIS SPECIFICATION TO BE PERMANENTLY IDENTIFIED PER THE FOLLOWING IDENTIFIER LABEL

YEAR WEEK

TYCO ELECTRONICS P/N DATE CODE (e.g. 0106)

XXXXXXXX-X XXXX

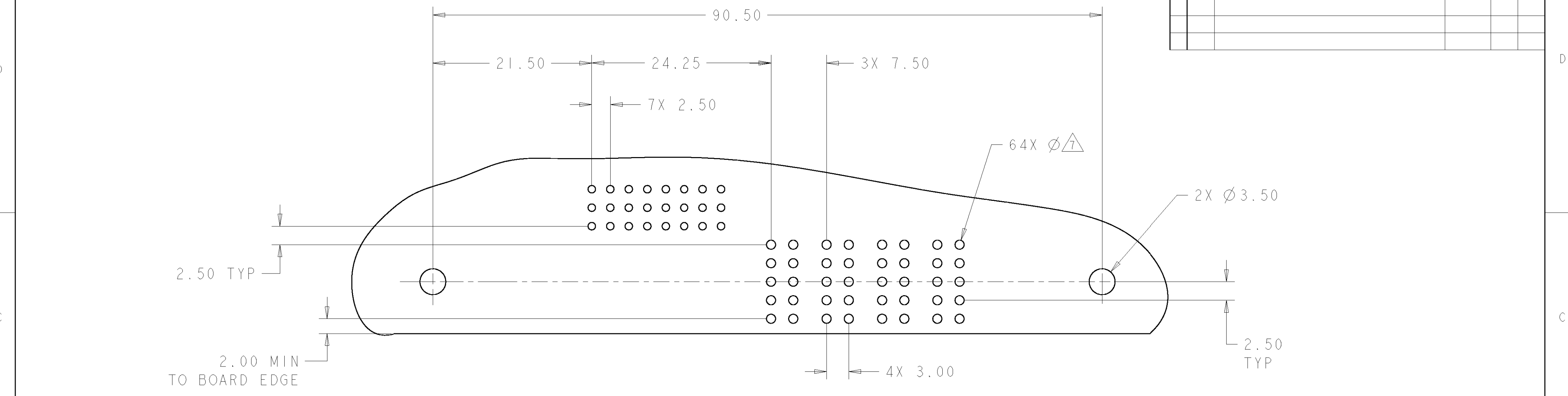


ELCON FLATPAQ		AS SHOWN		6646744-1	
		DESCRIPTION		PART NUMBER	
ELCON FLATPAQ		Tyco Electronics		Harrisburg, PA 17105-3608	
		NAME		SOCKET CONNECTOR, RIGHT ANGLE SOLDER TAILS FLATPAQ	
AMP 1471-9 REV 31MAR2000		SIZE		RESTRICTED TO	
		CAGE CODE		-	
Downloaded From Onevac.com		DRAWING NO		A200779	
		SCALE		3:1	
Pro/ENGINEER DRAWING		SHEET		OF 3	
		REV		A	

THIS DRAWING IS A CONTROLLED DOCUMENT FOR TYCO ELECTRONICS CORPORATION. IT IS SUBJECT TO CHANGE AND THE CONTROLLING ENGINEERING ORGANIZATION SHOULD BE CONTACTED FOR THE LATEST REVISION.		DWN	20JUL2007
		CHK	20JUL2007
		APVD	20JUL2007
DIMENSIONS:		TOLERANCES UNLESS OTHERWISE SPECIFIED:	
mm		0 PLC ±	
		1 PLC ±.5 [.02]	
		2 PLC ±.25 [.010]	
		3 PLC ±	
		4 PLC ±	
		ANGLES ±	
MATERIAL		FINISH	
		CUSTOMER DRAWING	

THIS DRAWING IS UNPUBLISHED. RELEASED FOR PUBLICATION 20
 © COPYRIGHT 20 BY TYCO ELECTRONICS CORPORATION. ALL RIGHTS RESERVED.

LOC	DIST	REVISIONS					
GP	00	P	LTR	DESCRIPTION	DATE	DWN	APVD
		-		SEE SHEET 1	-	-	-



PRINTED CIRCUIT LAYOUT
 COMPONENT SIDE

CONNECTOR	CATALOG MODULE #	QTY	SIZE NO.	CONTACT QTY	MATING PIN	MAX. CURRENT (PER CONTACT)	CONTACT SPACING	VOLTAGE RATING
SOCKET	FP303	1	22	24	.64 [.025] SQ.	3 amps	2.50 [.0984]	125
	FPI05	2	8	2	1.25 X 7.00 [.049 X .276]	35 amps	7.50 [.2953]	250
	FPI06	2	8	2	1.25 X 7.00 [.049 X .276]	35 amps	7.50 [.2953]	250
	FP506	2	RIGHT ANGLE GUIDE SOCKET					
	FP500	1	LEFT MOUNTING FLANGE					
	FP501	1	RIGHT MOUNTING FLANGE					

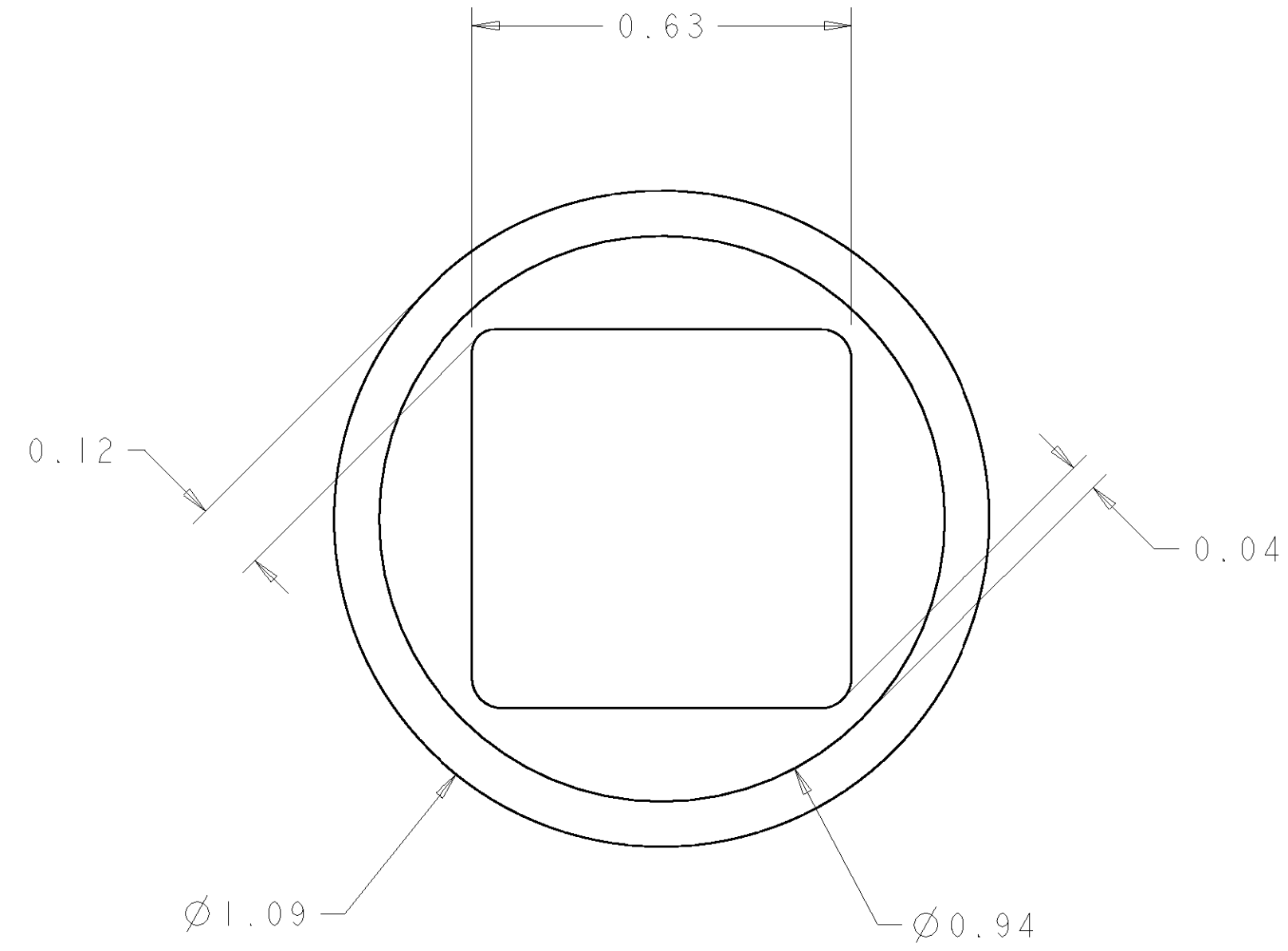
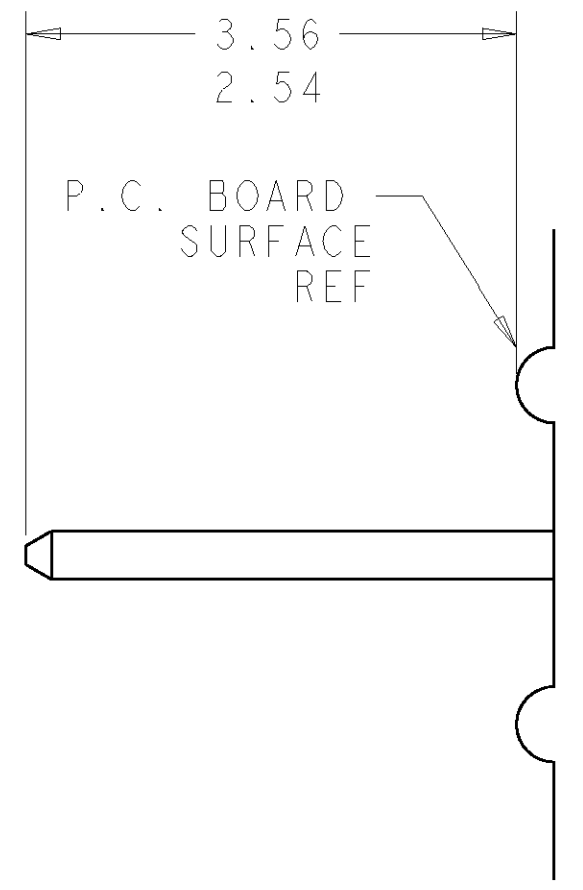
<small>THIS DRAWING IS A CONTROLLED DOCUMENT FOR TYCO ELECTRONICS CORPORATION. IT IS SUBJECT TO CHANGE AND THE CONTROLLING ENGINEERING ORGANIZATION SHOULD BE CONTACTED FOR THE LATEST REVISION.</small>		DWN R. GRZYBOWSKI 20 JUL 2007 CHK P. DAMATO 20 JUL 2007 APVD S. FLICKINGER 20 JUL 2007	Tyco Electronics Harrisburg, PA 17105-3608
DIMENSIONS: mm 	TOLERANCES UNLESS OTHERWISE SPECIFIED: 0 PLC ±.5 [.02] 1 PLC ±.25 [.010] 2 PLC ±.25 [.010] 3 PLC ±. 4 PLC ±. ANGLES ±1 FINISH	NAME: SOCKET CONNECTOR, RIGHT ANGLE SOLDER TAILS FLATPAQ PRODUCT SPEC: - APPLICATION SPEC: - WEIGHT: -	SIZE: A2 CAGE CODE: 00779 DRAWING NO: 6646744 RESTRICTED TO: -
MATERIAL: -		CUSTOMER DRAWING	
		SCALE: 3:1	SHEET 2 OF 3 REV A

ELCON FLATPAQ

THIS DRAWING IS UNPUBLISHED. RELEASED FOR PUBLICATION 20

© COPYRIGHT 20 BY TYCO ELECTRONICS CORPORATION. ALL RIGHTS RESERVED.

LOC	DIST	REVISIONS			
P	LTR	DESCRIPTION	DATE	DWN	APVD
GP	00	-	SEE SHEET 1	-	-



6. SOLDER PIN DETAIL
SCALE 10 : 1

7 SOLDER TERMINATION AREA
SCALE 40:1
RECOMMENDED PRINTED CIRCUIT HOLE
FINISHED HOLE: $\varnothing 1.02$ [.040] $\pm .08$ [.003]
DRILLED HOLE: $\varnothing 1.15$ [.0453] $\pm .013$ [.0005]
COPPER PLATE: .025 [.0010] MIN (PER SURFACE)
TIN PLATE: .008 [.0003] MIN. (PER SURFACE)

ELCON **FLATPAQ**

<small>THIS DRAWING IS A CONTROLLED DOCUMENT FOR TYCO ELECTRONICS CORPORATION IT IS SUBJECT TO CHANGE AND THE CONTROLLING ENGINEERING ORGANIZATION SHOULD BE CONTACTED FOR THE LATEST REVISION.</small>		DWN R. GRZYBOWSKI 20 JUL 2007 CHK P. DAMATO 20 JUL 2007 APVD S. FLICKINGER 20 JUL 2007	Tyco Electronics Harrisburg, PA 17105-3608
DIMENSIONS: mm	TOLERANCES UNLESS OTHERWISE SPECIFIED: 0 PLC \pm 1 PLC $\pm .5$ [.02] 2 PLC $\pm .25$ [.010] 3 PLC \pm 4 PLC \pm ANGLES ± 1 FINISH	NAME PRODUCT SPEC APPLICATION SPEC WEIGHT	NAME SOCKET CONNECTOR, RIGHT ANGLE SOLDER TAILS FLATPAQ SIZE CAGE CODE DRAWING NO RESTRICTED TO A200779 C-6646744 -
MATERIAL -		CUSTOMER DRAWING	SCALE 3:1 SHEET 3 OF 3 REV A

单击下面可查看定价，库存，交付和生命周期等信息

[>>TE Connectivity\(泰科\)](#)