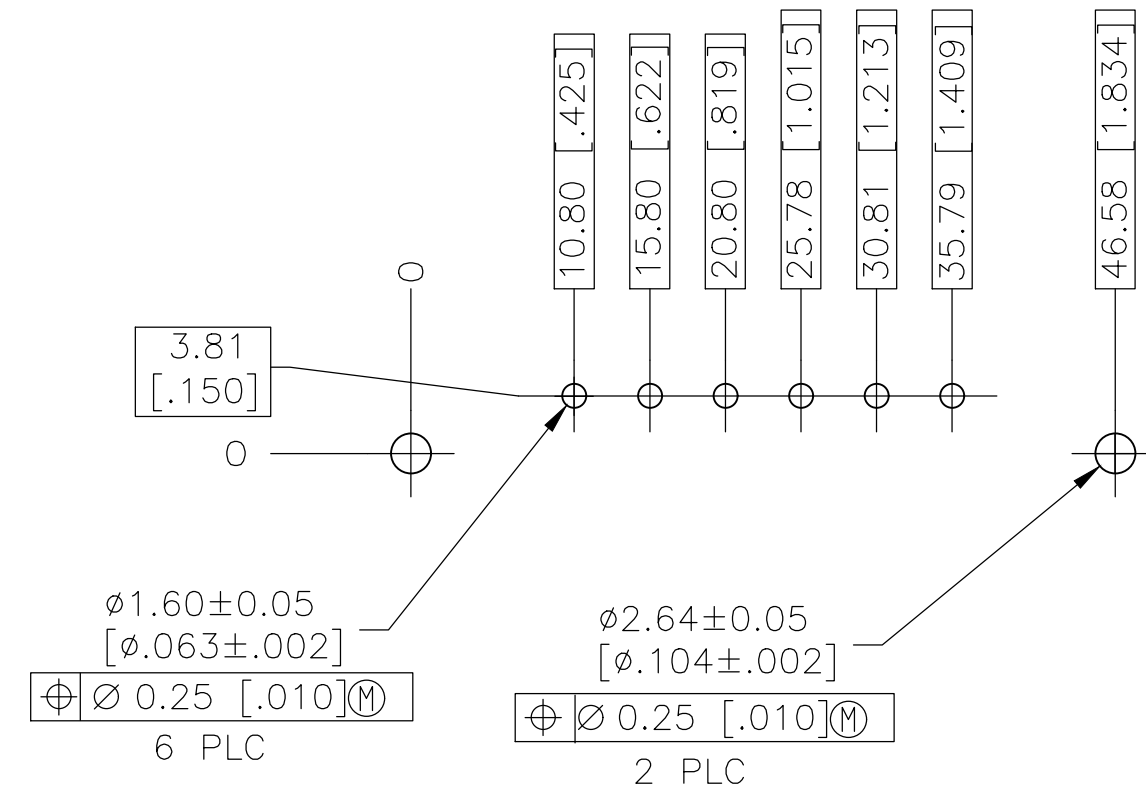
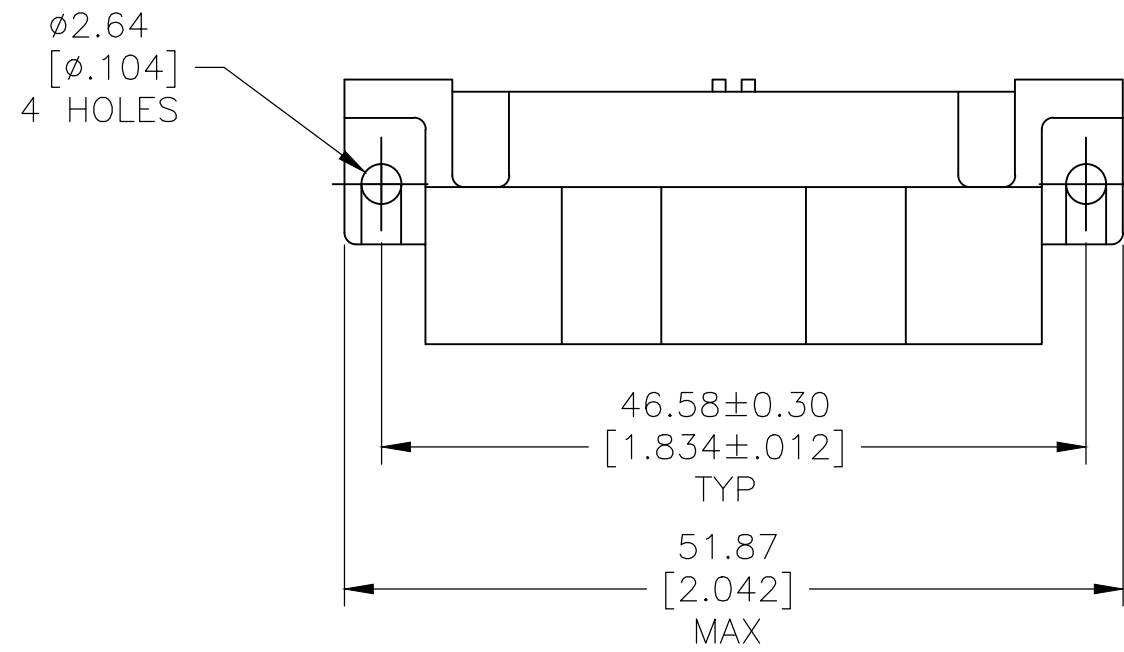
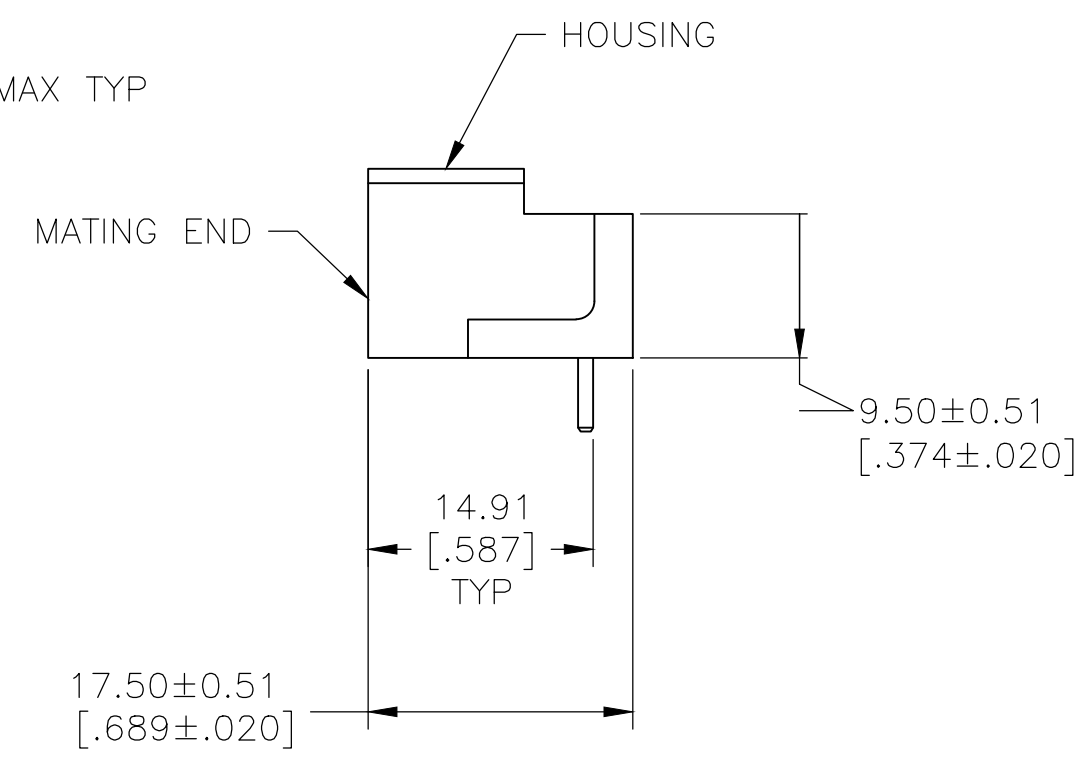
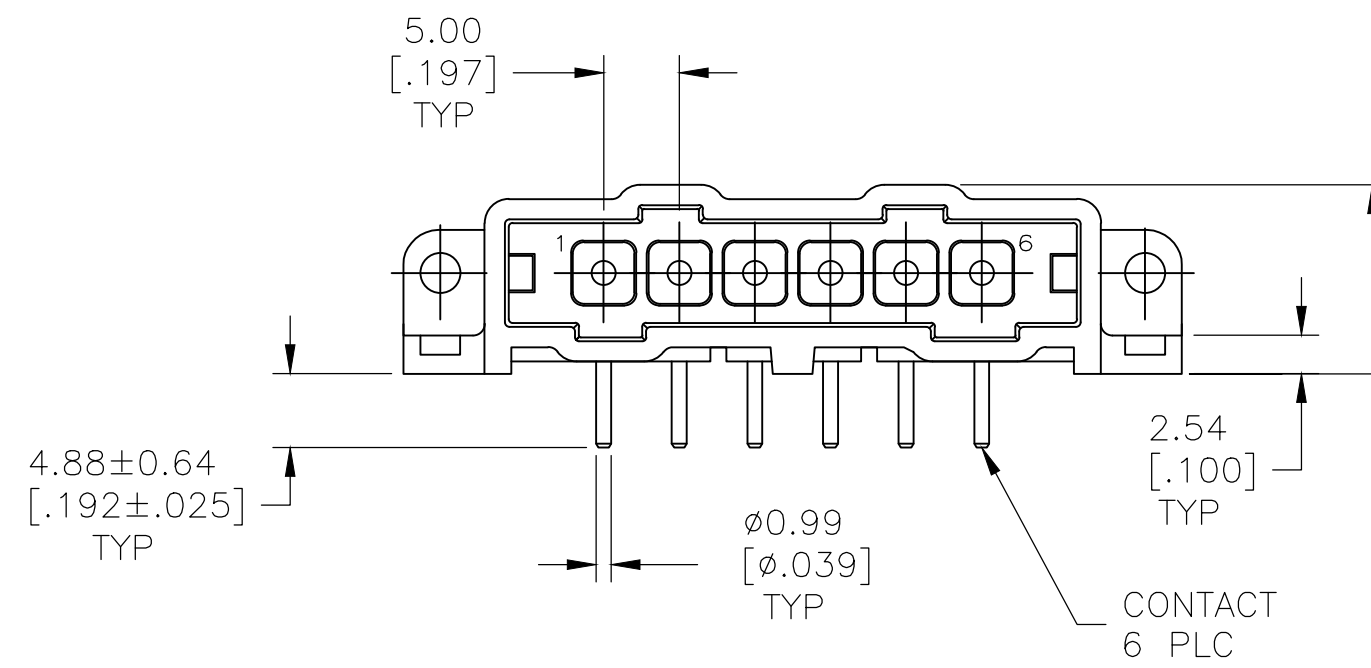


THIS DRAWING IS UNPUBLISHED. RELEASED FOR PUBLICATION  
 © COPYRIGHT - TE Connectivity Ltd. ALL RIGHTS RESERVED.

REVISIONS					
P	LTR	DESCRIPTION	DATE	DWN	APVD
L		REVISED PER ECO-18-000443	18JAN2018	RS	MZ
M		REVISED PER ECO-20-001562	04FEB2020	SG	MZ



RECOMMENDED PC BOARD LAYOUT



- ① HOUSING MATERIAL: PA66, BLACK, UL 94 V-0 RATED
- ② BRASS PER ASTM B36.
- ③  $3.81 \mu\text{m}$  [0.000150] MIN TIN-LEAD OVER  $2.54 \mu\text{m}$  [0.000100] MIN COPPER OR  $1.27 \mu\text{m}$  [0.000050] MIN NICKEL.
- ④  $0.76 \mu\text{m}$  [0.000030] MIN GOLD FOR A LENGTH OF  $5.08$  [0.200] MIN FROM MATING END,  $3.81 \mu\text{m}$  [0.000150] MIN TIN-LEAD FOR A LENGTH OF  $5.51$  [0.217] MIN FROM OPPOSITE END, BOTH OVER  $1.27 \mu\text{m}$  [0.000050] MIN NICKEL.
- ⑤  $.000150$  MIN TIN OVER  $.000100$  MIN CU, OR  $.000050$  MIN TIN.
- ⑥  $0.76 \mu\text{m}$  [0.000030] MIN GOLD FOR A LENGTH OF  $5.08$  [0.200] MIN FROM MATING END,  $3.81 \mu\text{m}$  [0.000150] MIN TIN FOR A LENGTH OF  $5.51$  [0.217] MIN FROM OPPOSITE END, BOTH OVER  $1.27 \mu\text{m}$  [0.000050] MIN NICKEL.

FINISH	PART NO
⑥	207378-7
⑤	207378-6
④	207378-3
③	207378-1

THIS DRAWING IS A CONTROLLED DOCUMENT.		DWN	L.SIPE	07/07/92	TE Connectivity Ltd.
DIMENSIONS: mm [INCHES]		CHK	R.STONE	7-24-92	
TOLERANCES UNLESS OTHERWISE SPECIFIED:		APVD	A.TRAVIS	7-24-92	
0 PLC ± - 1 PLC ± - 2 PLC ± 0.25 [0.010] 3 PLC ± - 4 PLC ± - ANGLES ± -		PRODUCT SPEC	NAME		
MATERIAL	HOUSING: ①	FINISH	CONTACTS: SEE TBL		PIN HEADER ASSY, 6 POSN, IN-LINE, RIGHT ANGLE, SMALL METRIC CONNECTOR, METRIMATE
CUSTOMER DRAWING		WEIGHT	-		SIZE: A2 CAGE CODE: 00779 DRAWING NO: C=207378
SCALE: 2:1		SHEET: 1 of 1	REV: M		RESTRICTED TO: -

单击下面可查看定价，库存，交付和生命周期等信息

[>>TE Connectivity\(泰科\)](#)