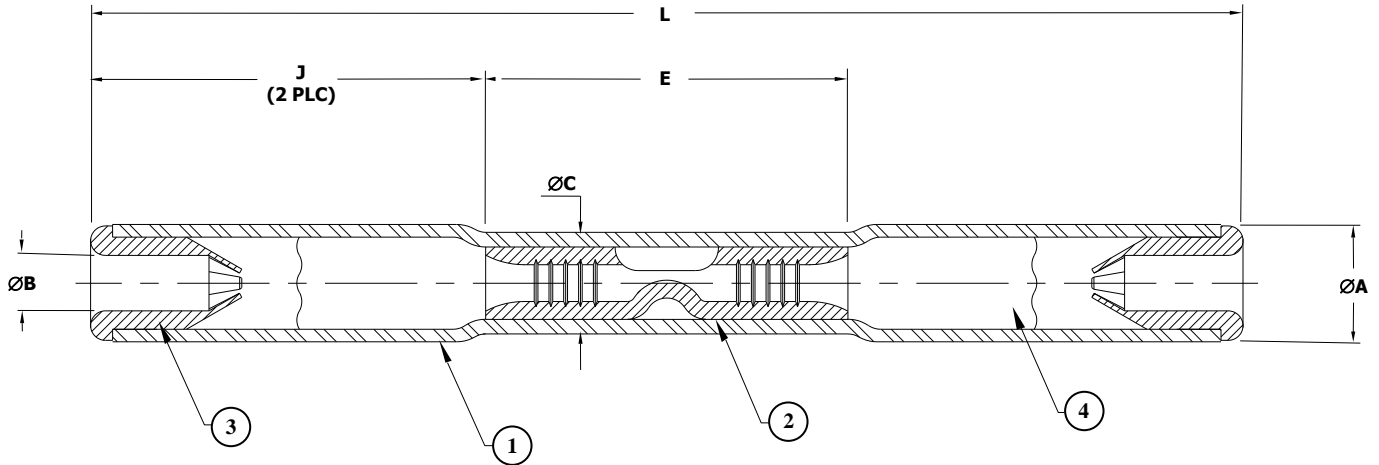


## CUSTOMER DRAWING




| PART NUMBER   | WIRE RANGE  | L ± 1.0<br>(±0.040) | ØA ± 0.5<br>(±0.020) | ØB ± 0.25<br>(±0.010) | ØC ± 0.5<br>(±0.020) | E ± 0.25<br>(±0.010) | J ± 0.50<br>(±0.020) | END CAP<br>COLOR CODE<br>(BOTH ENDS) |
|---------------|-------------|---------------------|----------------------|-----------------------|----------------------|----------------------|----------------------|--------------------------------------|
| D-436-36-COLD | 26-24-22-20 | 36.8<br>(1.450)     | 4.2<br>(0.165)       | 2.0<br>(0.080)        | 3.7<br>(0.145)       | 12.1<br>(0.475)      | 12.7<br>(0.500)      | RED                                  |
| D-436-37-COLD | 18-16       | 37.7<br>(1.484)     | 5.1<br>(0.200)       | 2.9<br>(0.115)        | 4.5<br>(0.175)       | 14.3<br>(0.565)      | 11.8<br>(0.464)      | BLUE                                 |
| D-436-38-COLD | 14-12       | 37.7<br>(1.484)     | 5.9<br>(0.235)       | 3.8<br>(0.150)        | 5.2<br>(0.205)       | 14.3<br>(0.565)      | 11.8<br>(0.464)      | YELLOW                               |

### MATERIALS

- INSULATION SLEEVE: Transparent clear, radiation cross-linked modified polyvinylidene fluoride.
- CRIMP:  
Base Metal: Copper Alloy 101 or 102 per ASTM B-75, Annealed  
Plating: Tin-plate per ASTM-B545
- END CAPS: Thermoplastic, Color Coded (See Table)
- GEL: Clear silicone-based Gel.

### APPLICATION

- These parts are designed to provide immersion resistant in-line splices of 1 to 1 wires falling within size range listed above.
- Crimp splices using a Tyco Electronics AD-1381 Crimp Tool.
- Install Cold Crimp Splices per Tyco Electronics RPIP-1102.
- This document takes precedence over documents reference herein.
- Temperature range: -65°C to +150°C.

|  |   |  |   |            |                   |
|--|---|--|---|------------|-------------------|
|  <b>TE Connectivity</b> |   |  | TITLE:<br><b>IMMERSION RESISTANT CRIMP SPLICE<br/>                 150 DEG C, ROHS COMPLIANT<br/>                 COLD APPLIED SPLICE</b> |            |                   |
| Unless otherwise specified dimensions are in millimeters.<br>[Inches dimensions are shown in brackets]     |   | Raychem<br>Devices   | DOCUMENT NO.:<br><b>D-436-3X-COLD</b>   |            |                   |
| TOLERANCES:<br>0.00 N/A<br>0.0 N/A<br>0 N/A  | ANGLES: N/A<br><br>ROUGHNESS<br>IN MICRON | Tyco Electronics reserves the right to amend this drawing at any time. Users should evaluate the suitability of the product for their application. | REV: B2   |            | DATE: 03/SEP/2021 |
| REVISED BY:<br>RANJITHA B  | CAGE CODE:<br>06090                       |  | ECO NUMBER:<br>ECN-21-116268  | SCALE: NTS | SIZE: A           |

© 2010-2019 TE Connectivity Corporation. All rights reserved.

If this document is printed it becomes uncontrolled. Check for the latest revision

单击下面可查看定价，库存，交付和生命周期等信息

[>>TE Connectivity\(泰科\)](#)