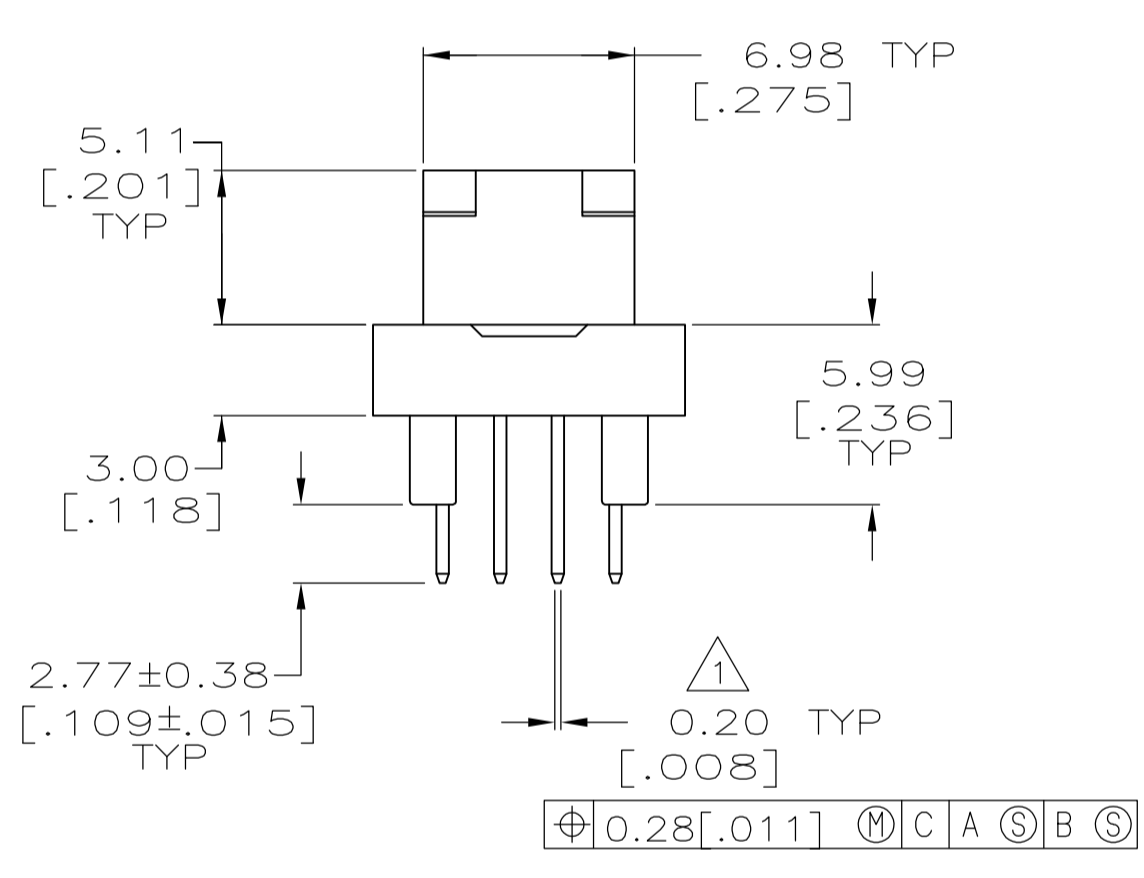
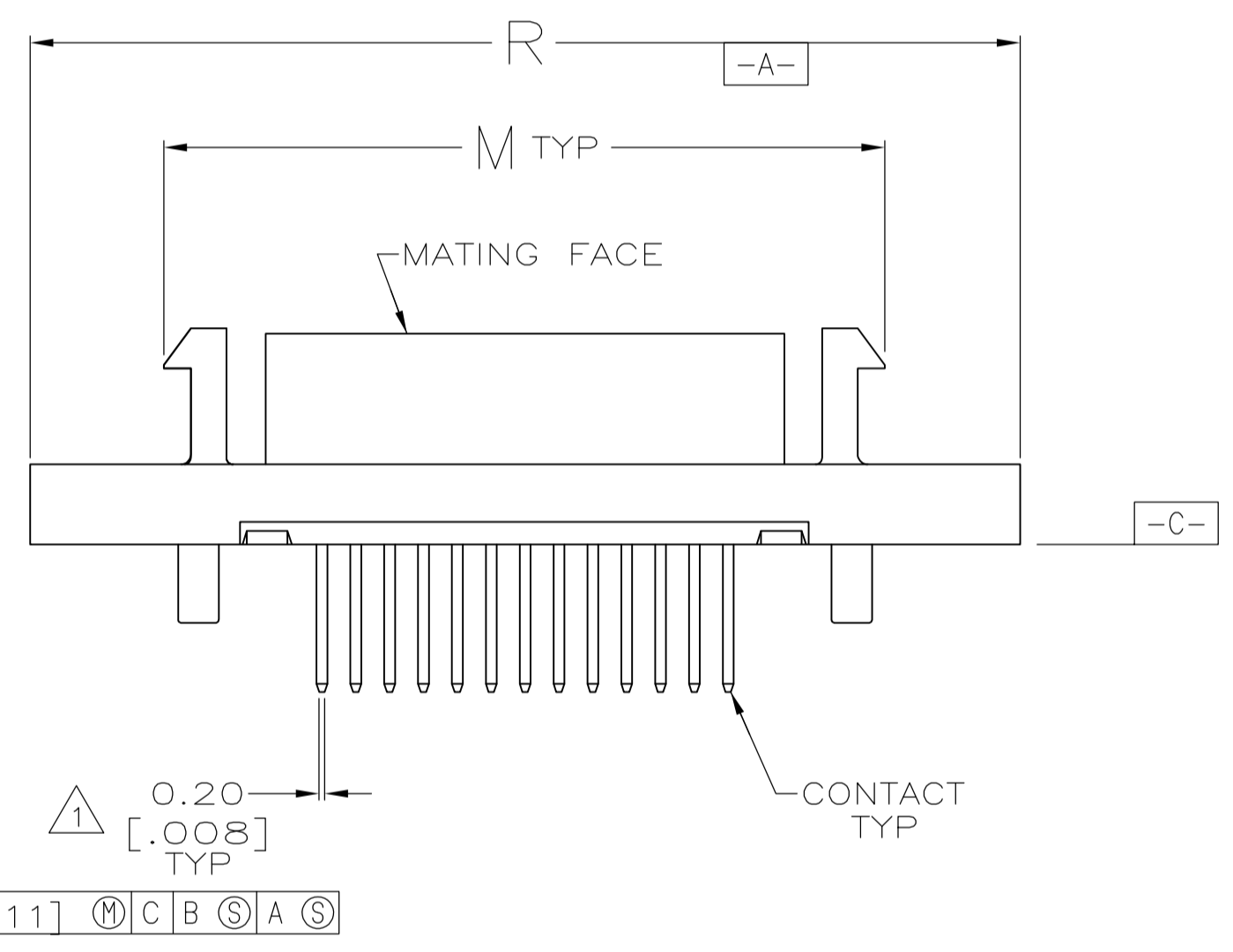
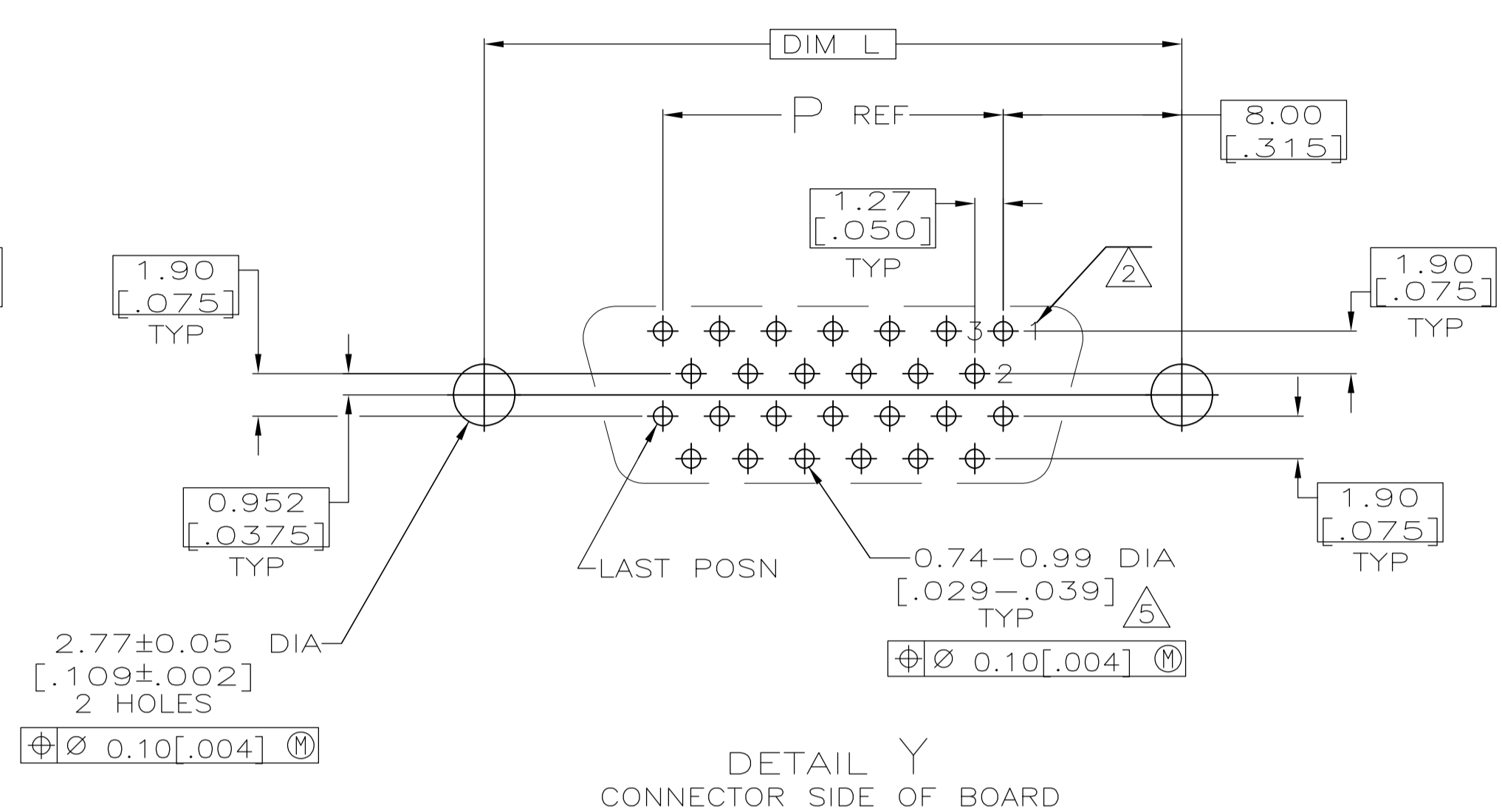
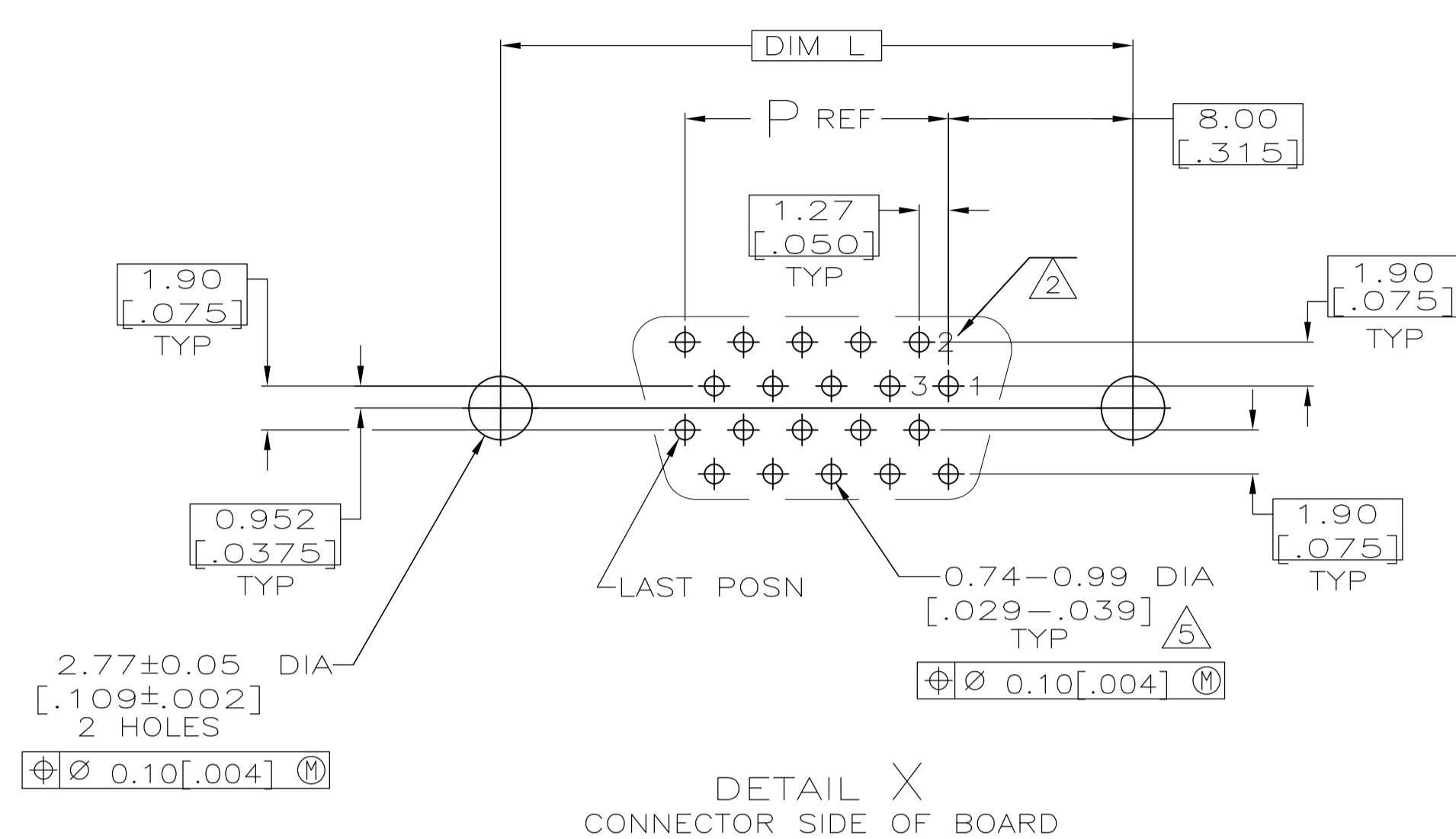
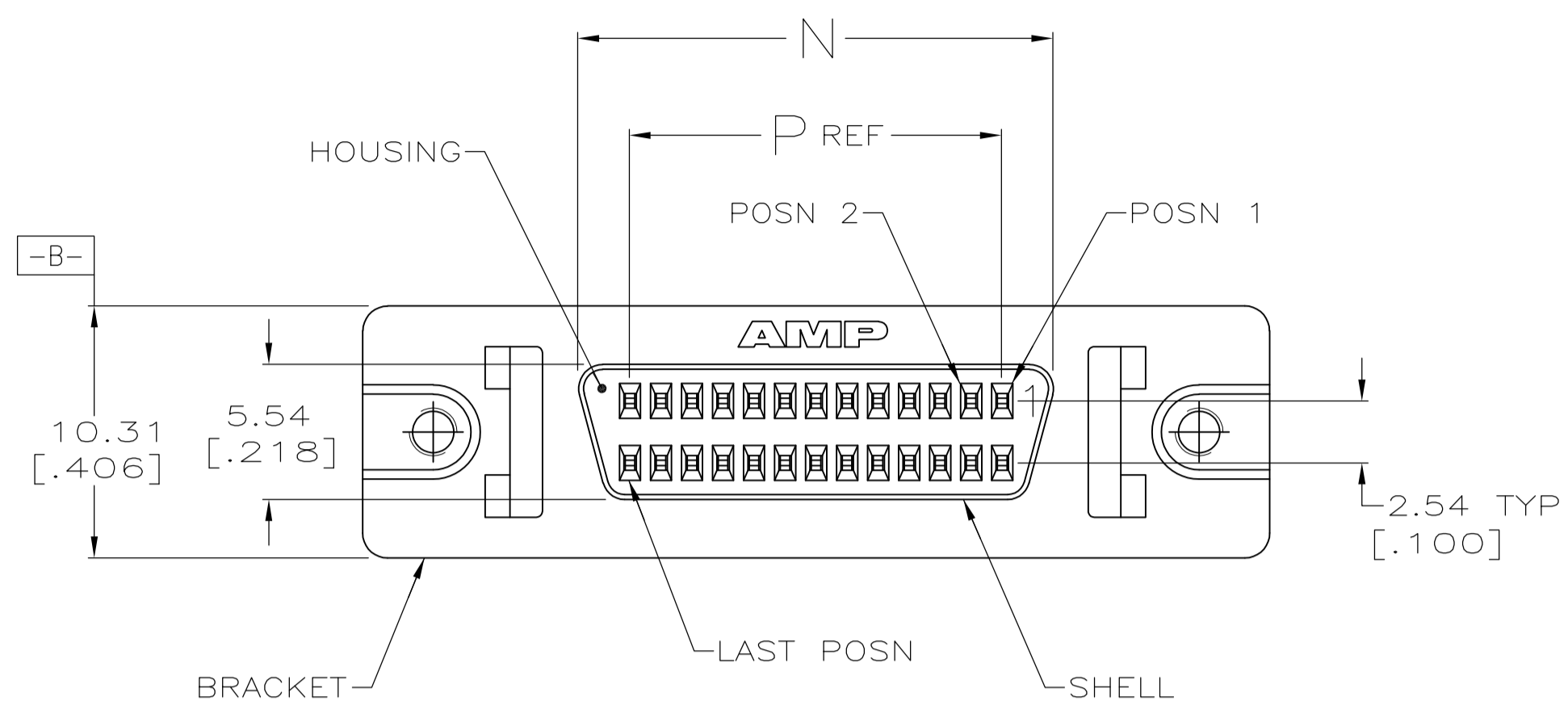
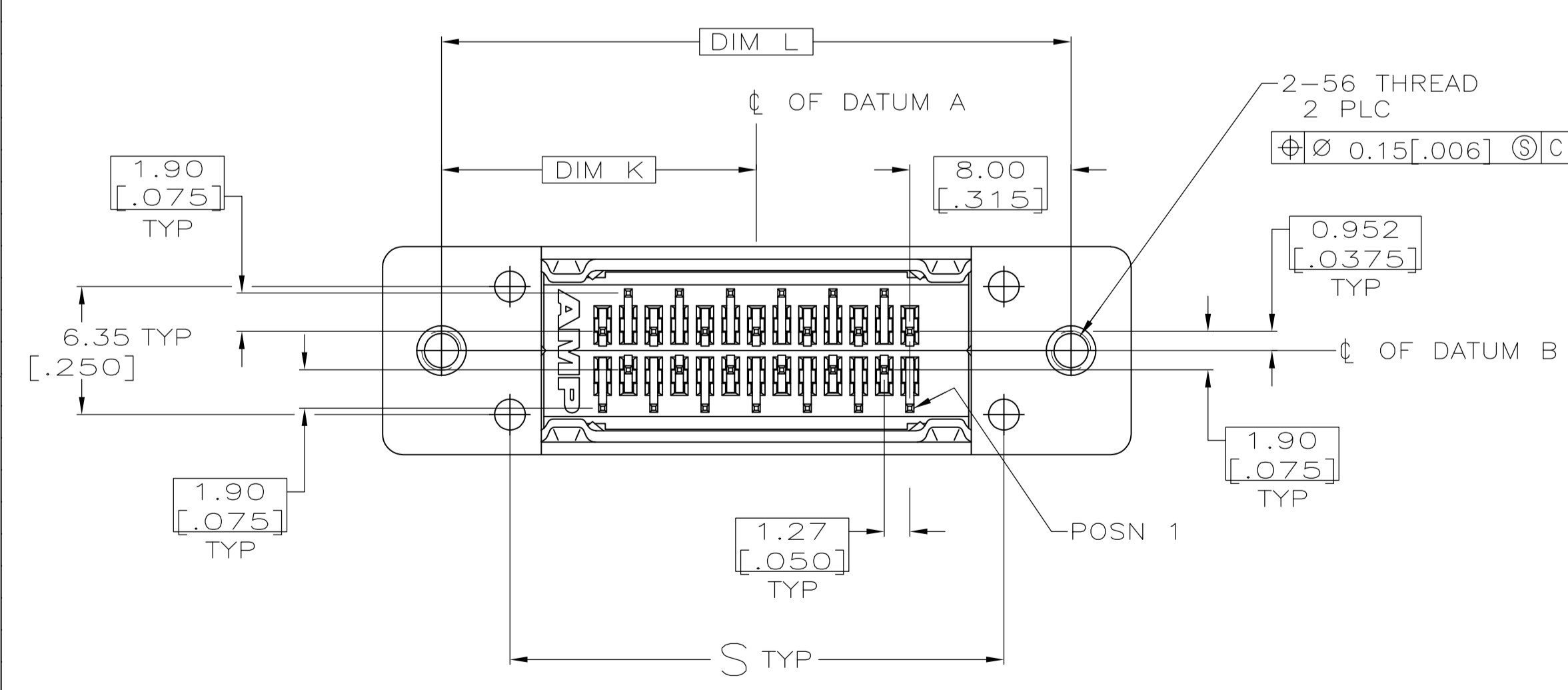


LOC		DIST		REVISIONS			
GP	00	P	LTR	DESCRIPTION	DATE	DMN	APVD
		L		REVISED PER ECO-08-020284	20AUG2008	ZMR	BAS
		L1		REVISED PER ECO-09-023313	13OCT09	KK	AEG



- 1 POSITION TOLERANCE APPLIES AT CONTACT TIP.
- 2 POSITION NUMBERS SHOWN FOR REFERENCE ONLY.
- 3 MATERIAL
HOUSING: POLYESTER, UL 94V-0 RATED, BLACK.
SHELL: CARBON STEEL
CONTACTS: PHOSPHOR BRONZE
BRACKET: ZINC
- 4 FINISH
SHELL: 5.08µm [.000200] MIN NICKEL OVER 1.27µm [.000050] MIN COPPER.
BRACKET: 3.81µm [.000150] MIN NICKEL OVER 5.08µm [.000200] MIN COPPER.
CONTACTS: EITHER 0.76µm [.000030] MIN GOLD FOR A LENGTH OF 0.64 [.025] MIN, 0.13 [.005] MAX FROM MATING END, OR GOLD FLASH OVER PALLADIUM NICKEL, 0.76µm [.000030] MIN TOTAL FOR A LENGTH OF 0.64 [.025] MIN, 0.13 [.005] MAX FROM MATING END. 3.81µm [.000150] MIN TIN-LEAD ON SOLDER POST, ALL OVER 1.27µm [.000050] MIN NICKEL UNDERPLATE.
- 5 ACTUAL HOLE SIZE WILL DEPEND ON TRACE ROUTING REQUIREMENTS BETWEEN HOLES AND CONNECTOR PLACEMENT TECHNIQUE.
- 6 OBSOLETE PARTS: OBSOLETE CIS STREAMLINING PER D.RENAUD/D.SINISI



RECOMMENDED PCB MTG DIMENSIONS	S	R	P	N	M	L	K	NO OF POSN	PART NUMBER	
OBSOLETE	PER DETAIL X	84.20 [3.315]	96.90 [3.815]	74.93 [2.950]	79.15 [3.116]	86.74 [3.415]	90.93 [3.580]	45.47 [1.790]	120	1-750458-0
OBSOLETE	PER DETAIL X	71.50 [2.815]	84.20 [3.315]	62.23 [2.450]	66.45 [2.616]	74.04 [2.915]	78.23 [3.080]	39.12 [1.540]	100	750458-9
OBSOLETE	PER DETAIL X	58.80 [2.315]	71.50 [2.815]	49.53 [1.950]	53.75 [2.116]	61.34 [2.415]	65.53 [2.580]	32.77 [1.290]	80	750458-8
OBSOLETE	PER DETAIL X	51.18 [2.015]	63.88 [2.515]	41.91 [1.650]	46.13 [1.816]	53.72 [2.115]	57.91 [2.280]	28.96 [1.140]	68	750458-7
OBSOLETE	PER DETAIL X	46.10 [1.815]	58.80 [2.315]	36.83 [1.450]	41.05 [1.616]	48.64 [1.915]	52.83 [2.080]	26.42 [1.040]	60	750458-6
	PER DETAIL Y	39.75 [1.565]	52.45 [2.065]	30.48 [1.200]	34.70 [1.366]	42.29 [1.665]	46.48 [1.830]	23.24 [.915]	50	750458-5
OBSOLETE	PER DETAIL X	33.40 [1.315]	46.10 [1.815]	24.13 [.950]	28.35 [1.116]	35.94 [1.415]	40.13 [1.580]	20.07 [.790]	40	750458-4
OBSOLETE	PER DETAIL X	25.78 [1.015]	38.48 [1.515]	16.51 [.650]	20.73 [1.816]	28.32 [1.115]	32.51 [1.280]	16.26 [.640]	28	750458-3
OBSOLETE	PER DETAIL Y	24.51 [.965]	37.21 [1.465]	15.24 [.600]	19.46 [1.766]	27.05 [1.065]	31.24 [1.230]	15.62 [.615]	26	750458-2
OBSOLETE	PER DETAIL X	20.70 [.815]	33.40 [1.315]	11.43 [.450]	15.65 [.616]	23.24 [.915]	27.43 [1.080]	13.72 [.540]	20	750458-1

THIS DRAWING IS A CONTROLLED DOCUMENT.

DIMENSIONS: mm [INCHES]	TOLERANCES UNLESS OTHERWISE SPECIFIED:	APPROVED: J. McCLINTON	DATE: 9-26-90	DESIGNED: S. WELDON	DATE: 9-10-90
0 PLC ± -	1 PLC ± -	2 PLC ± 0.13 [.005]	3 PLC ± -	4 PLC ± -	ANGLES ± -

MATERIAL: 3 FINISH: 4

THIS DRAWING IS A CONTROLLED DOCUMENT.

APPROVED: G. ROHDE	DATE: 9-26-90	NAME: RECEPTACLE ASSEMBLY, WITH STAND-OFFS, SHIELDED, VERTICAL, AMPLIMITE™ .050 Series
PRODUCT SPEC: 108-1228	APPLICATION SPEC: 114-40029	SIZE: A1
WEIGHT: -	CAGE CODE: 00779	DRAWING NO: 750458
CUSTOMER DRAWING	SCALE: 4:1	SHEET 1 OF 1

单击下面可查看定价，库存，交付和生命周期等信息

[>>TE Connectivity\(泰科\)](#)