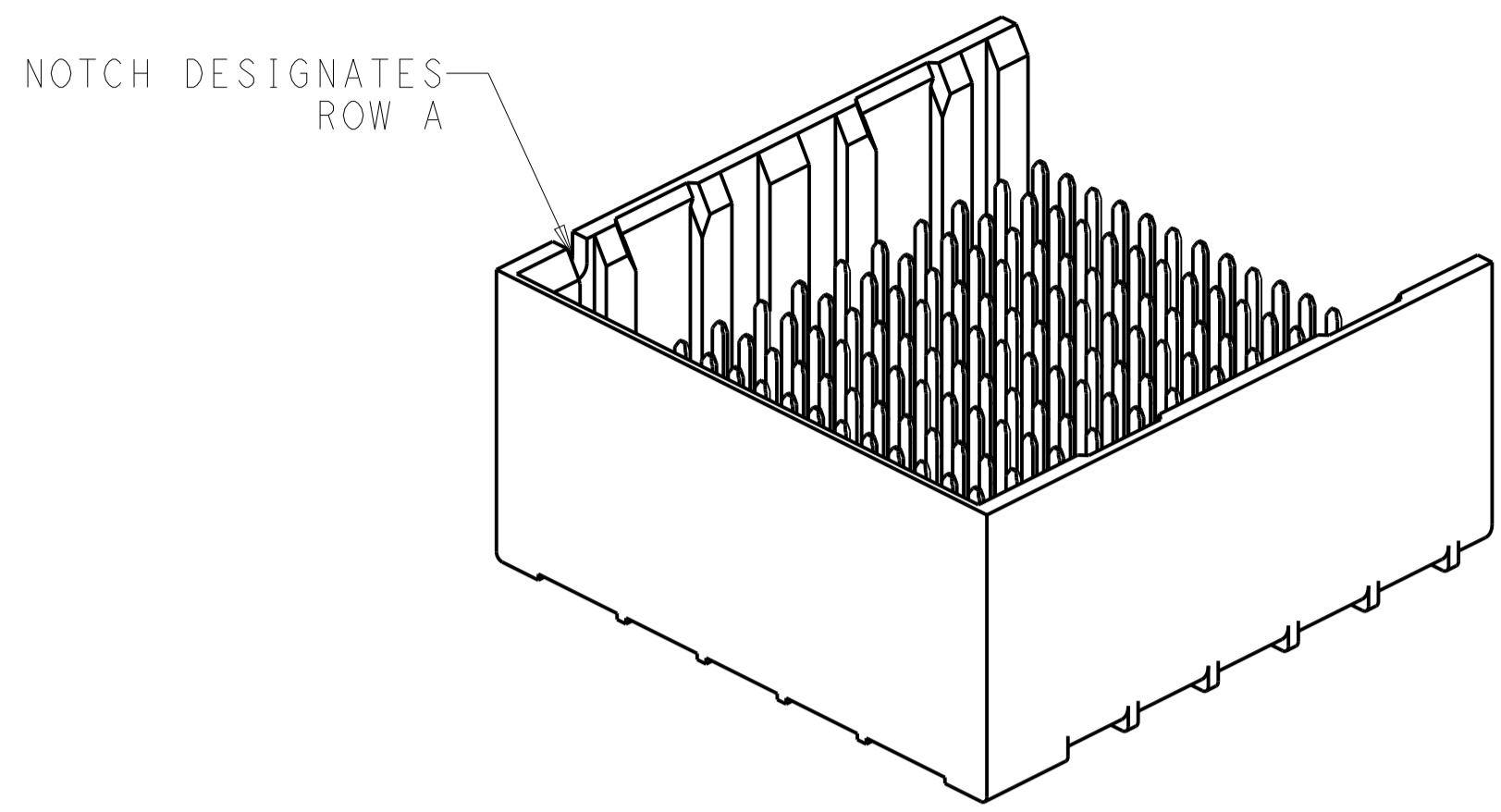
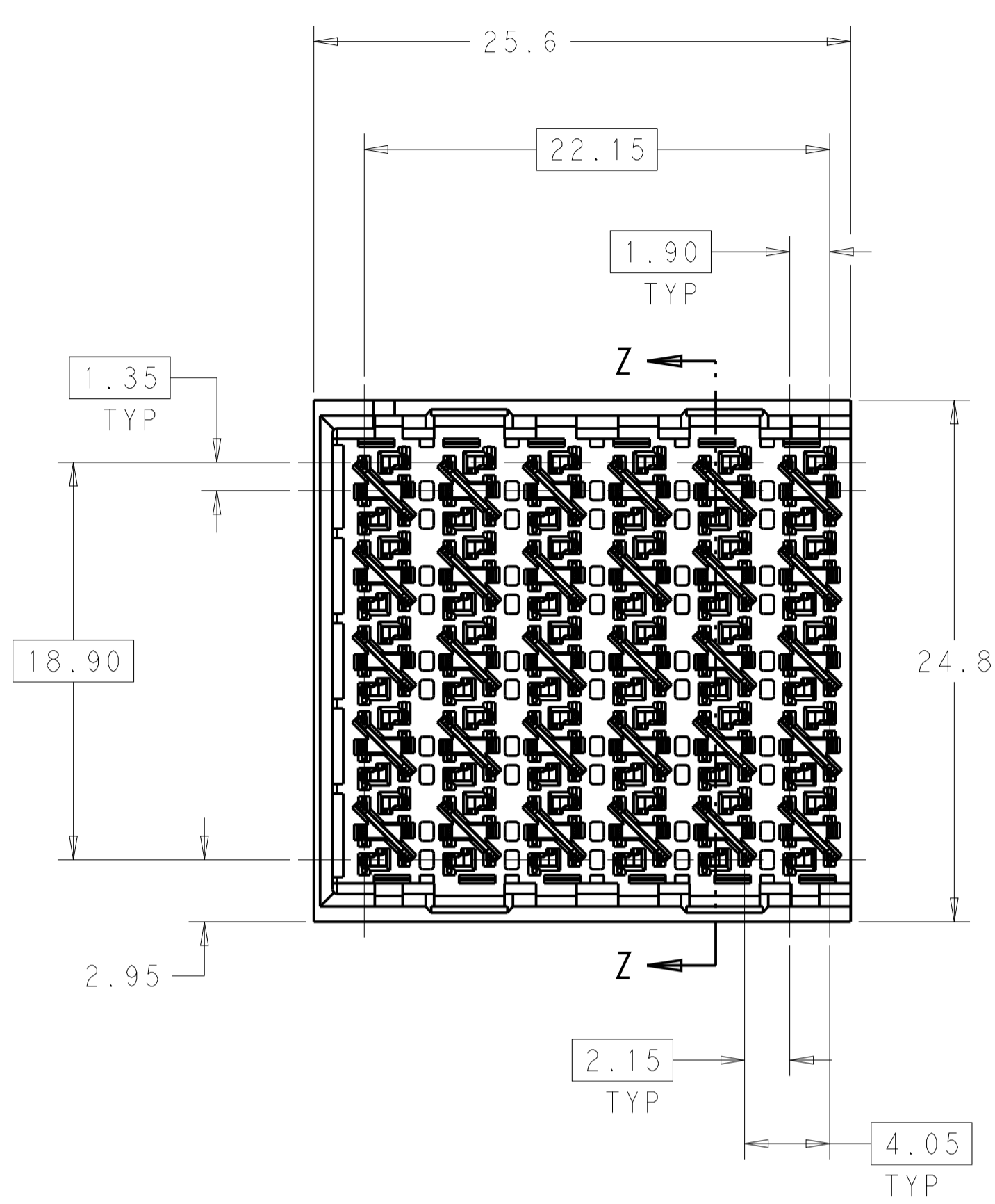
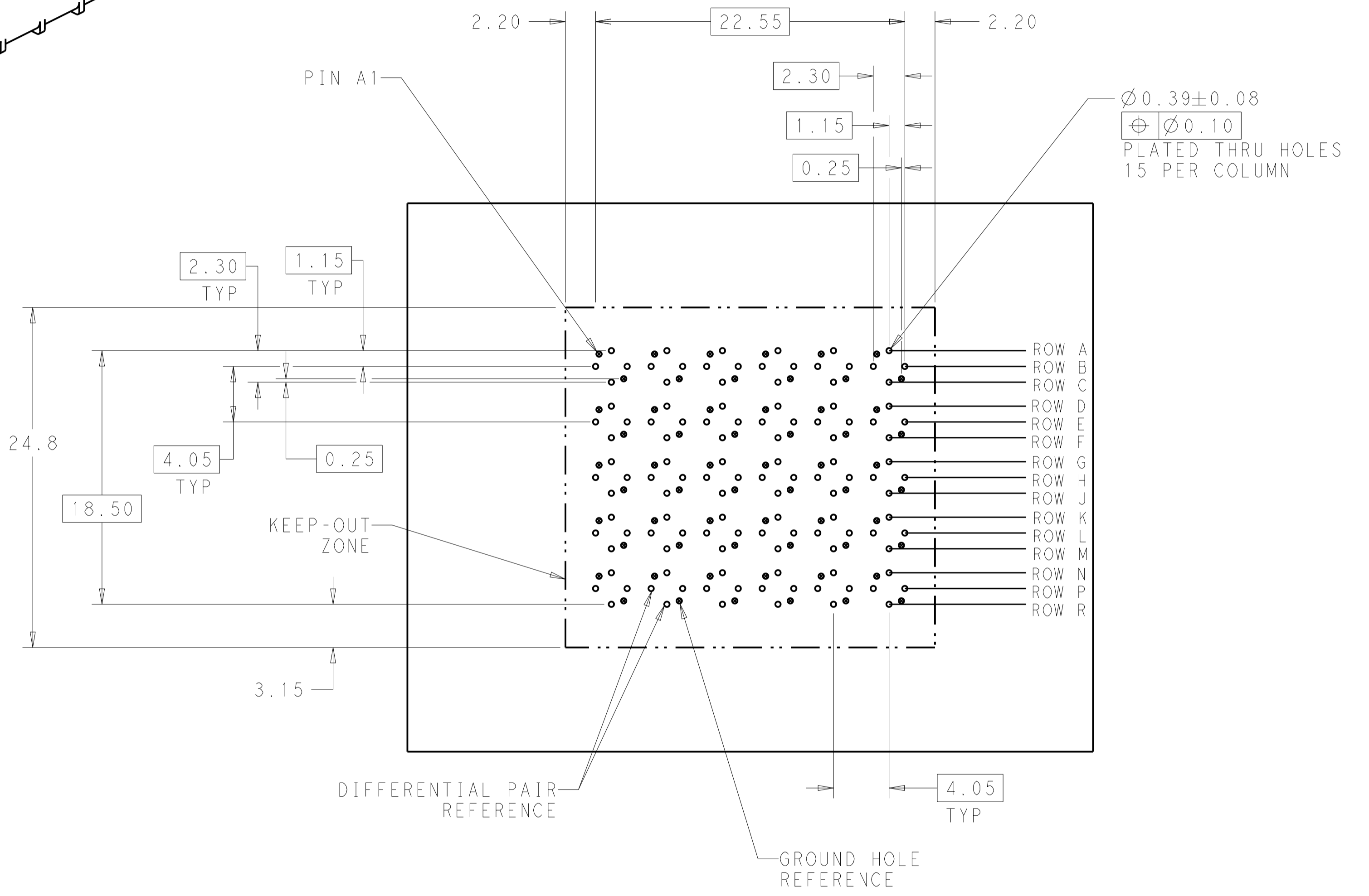


REVISIONS				
P.	LTN	DESCRIPTION	DATE	DWN APVD
B		REVISED PER ECO-14-013272	09SEP2014	AP DD

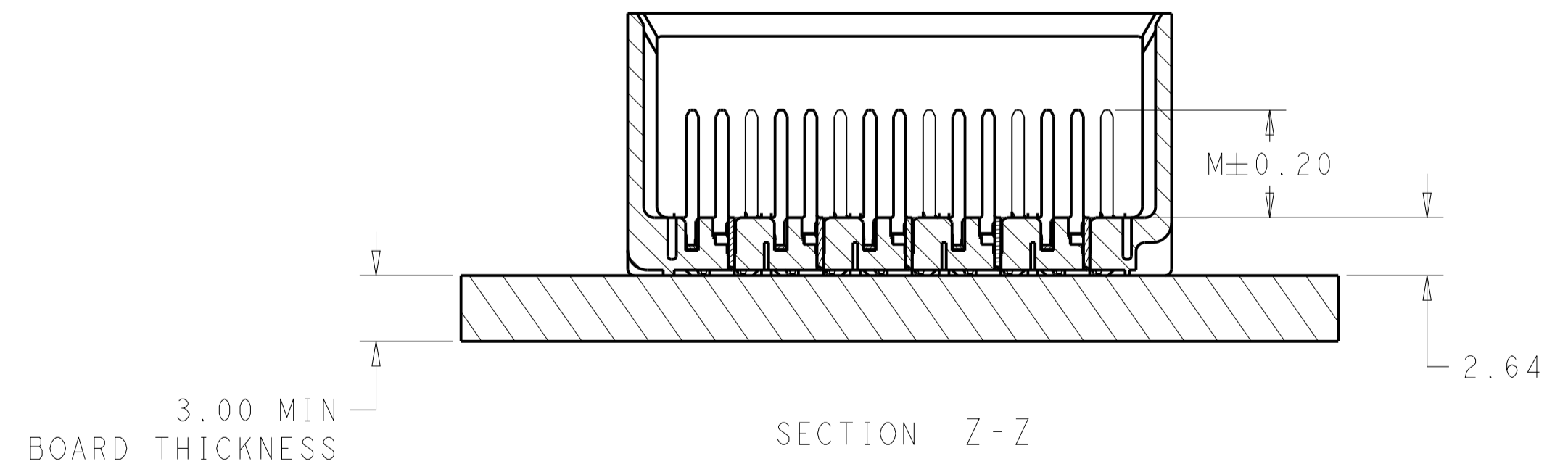
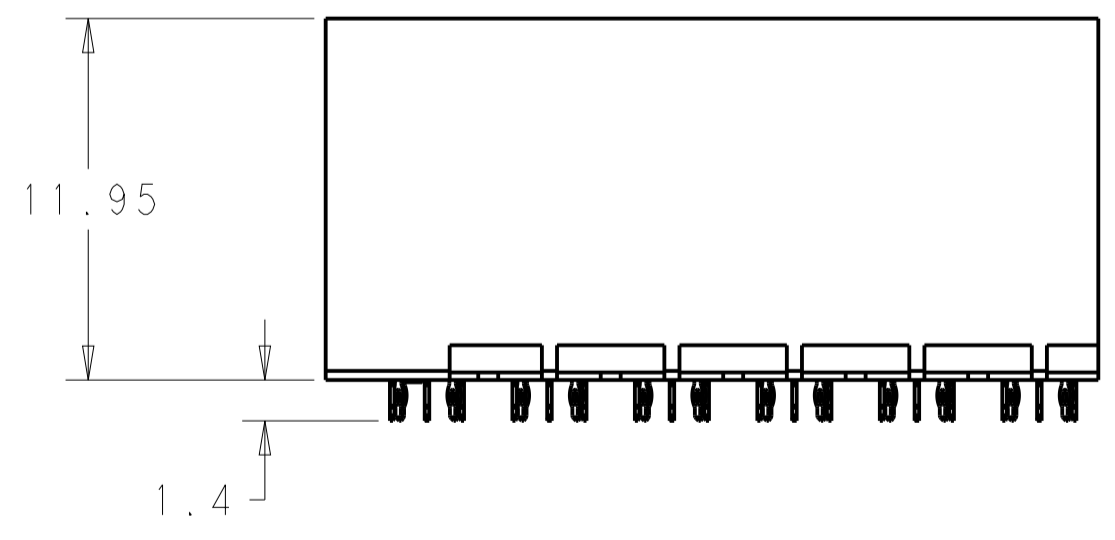


1 MATERIAL:
 HOUSING: LCP GLASS FILLED UL94V-0
 TERMINALS: HIGH PERFORMANCE COPPER ALLOY

2 FINISH:
 30µ" MIN GOLD IN CONTACT AREA
 SELECTIVE TIN ON PCB TAILS.
 NICKEL OVERALL.



LEFT GUIDED
 BACKPLANE HOLE PATTERN
 (CONNECTOR SIDE)
 SCALE 4:1



2	5.5	2143629-2
2	4.9	2143629-1
FINISH	DIM M	PART NUMBER

THIS DRAWING IS A CONTROLLED DOCUMENT.		DWN J. K. SHOBER 18AUG2010	TE Connectivity NAME: IMPACT, 5 PAIR, 12 COLUMN, UNGUIDED LEFT END WALL ASSEMBLY, ORTHOGONAL, 0.39 PTH PRODUCT SPEC: - APPLICATION SPEC: - SIZE: A1 CAGE CODE: 2143629 DRAWING NO: 2143629 RESTRICTED TO: - SCALE: 4:1 SHEET 1 OF 1 REV B
DIMENSIONS: mm		CHK J. EARY 18AUG2010	
TOLERANCES UNLESS OTHERWISE SPECIFIED:		APVD J. EARY 18AUG2010	
0 PLC ± 1 PLC ±0.25 2 PLC ±0.13 3 PLC ± 4 PLC ± ANGLES ±0		WEIGHT: -	
MATERIAL: -		SEE TABLE	Customer Drawing

单击下面可查看定价，库存，交付和生命周期等信息

[>>TE Connectivity\(泰科\)](#)