

4

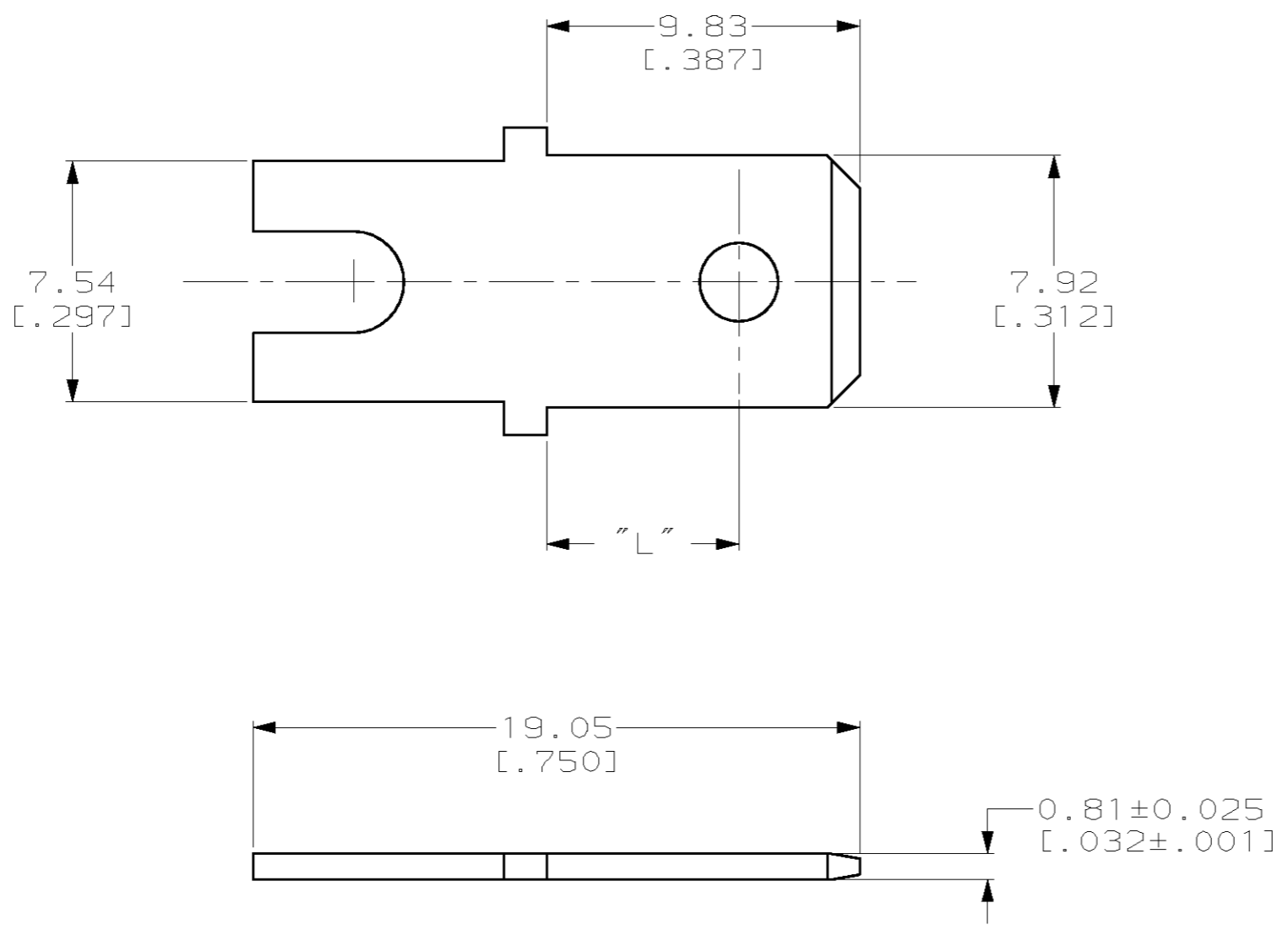
3

2

1

THIS DRAWING IS UNPUBLISHED. RELEASED FOR PUBLICATION, 19 .
 © COPYRIGHT 19 BY AMP INCORPORATED. ALL RIGHTS RESERVED.

| LOC | DIST | REVISIONS | | | |
|-----|------|-------------|----------------------|---------|-------|
| P | LTR | DESCRIPTION | DATE | DWN | APVD |
| AF | 50 | E | REV PER 063A-0336-01 | 30MAY01 | JR ND |



1 SUPPLIED IN LOOSE PIECE.

| | | | | |
|--------|-------------|------------------------------|-----------|----------|
| DIMPLE | 6.04 [.238] | - | 082 BRASS | 63402-3 |
| HOLE | 4.98 [.196] | 0.00127 [.000050] MIN NICKEL | T3 STEEL | 63402-2 |
| DIMPLE | 6.04 [.238] | 0.00127 [.000050] MIN NICKEL | T3 STEEL | 63402-1 |
| TYPE | DIM "L" | FINISH | MATERIAL | PART NO. |

| | | | | |
|---|---------------------|-----------------------------|---|--------------------|
| THIS DRAWING IS A CONTROLLED DOCUMENT. | | DWN JR RUTH 5/13/98 | AMP Incorporated Harrisburg, PA 17105-3608 | |
| DIMENSIONS: MM [INCHES] | | CHK MS FEHER 5/13/98 | | |
| TOLERANCES UNLESS OTHERWISE SPECIFIED: | | APVD J WORMAN 5/13/98 | NAME TAB, FASTON, 7.92 [.312] SERIES | |
| 0 PLC ±- 1 PLC ±- 2 PLC ±0.25 [.010] 3 PLC ±- 4 PLC ±- ANGLES ±- | | PRODUCT SPEC - | APPLICATION SPEC - | |
| MATERIAL SEE TABLE | FINISH SEE TABLE | WEIGHT - | SIZE A3 | CAGE CODE 00779 |
| CUSTOMER DRAWING | | | DRAWING NO C- 63402 | RESTRICTED TO - |
| | | | SCALE 5:1 | SHEET 1 OF 1 |
| | | | REV E | |

单击下面可查看定价，库存，交付和生命周期等信息

[>>TE Connectivity\(泰科\)](#)