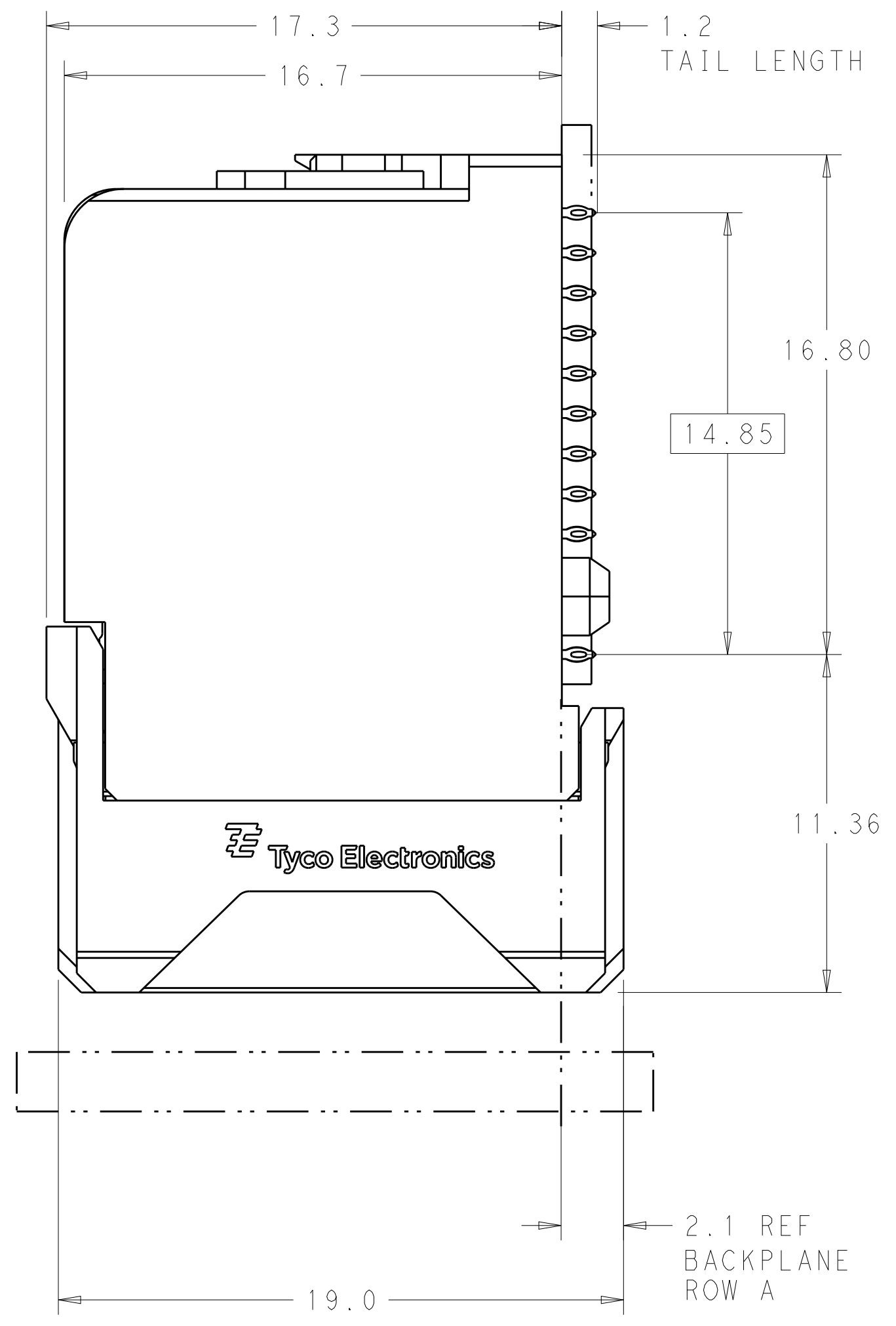
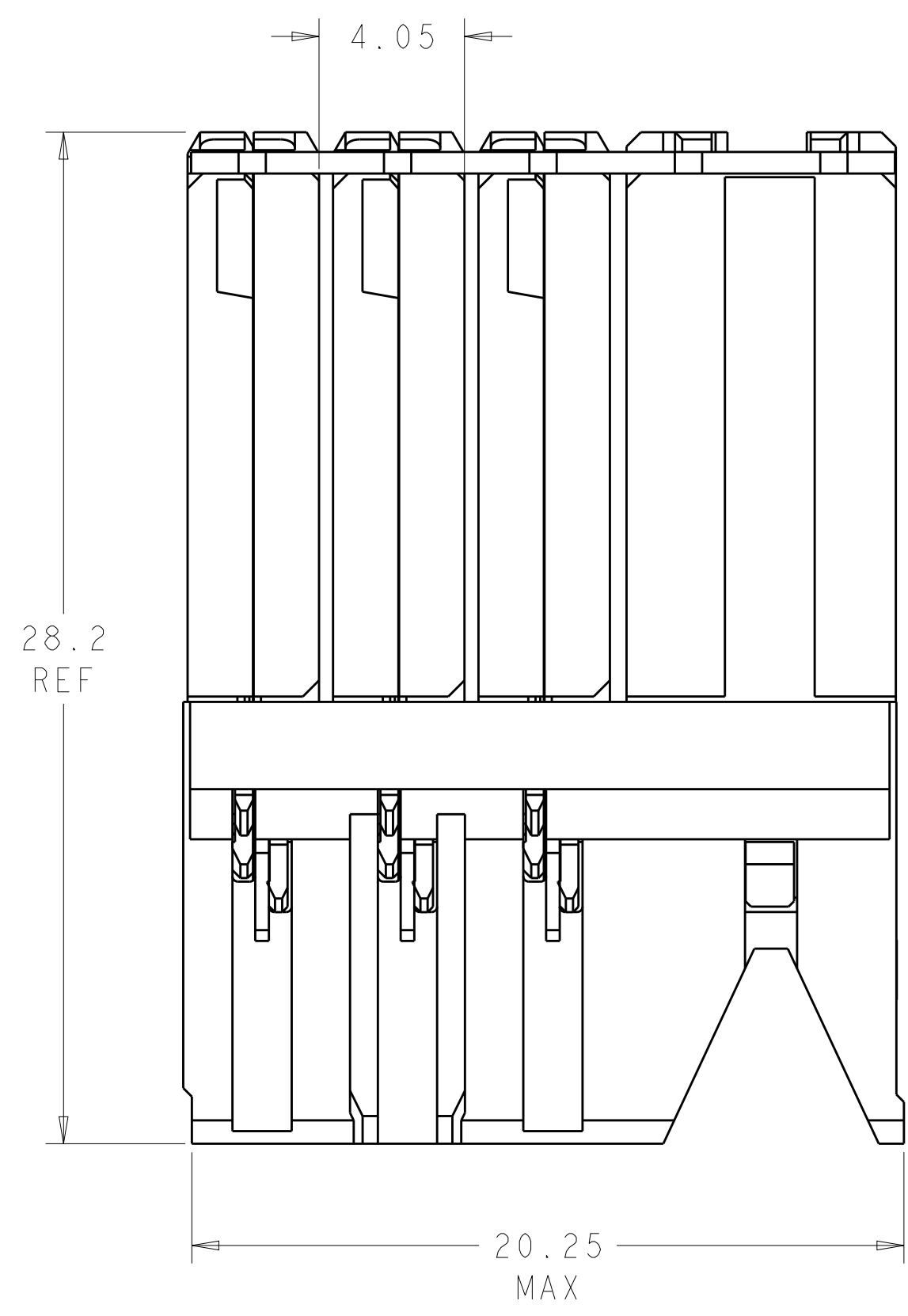
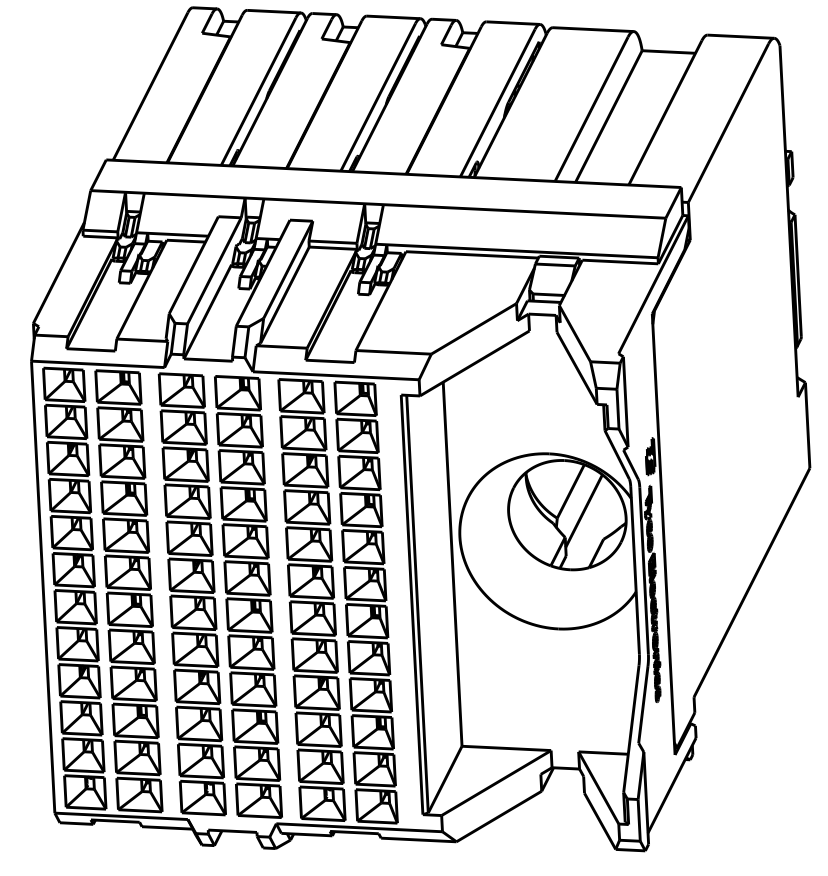


LOC	DIST	REVISIONS			
P	LTN	DESCRIPTION	DATE	DWN	APVD
AD	00	A	DRAWING CREATED BY AUTOMATION PROGRAM	23MAY2015	AP DD

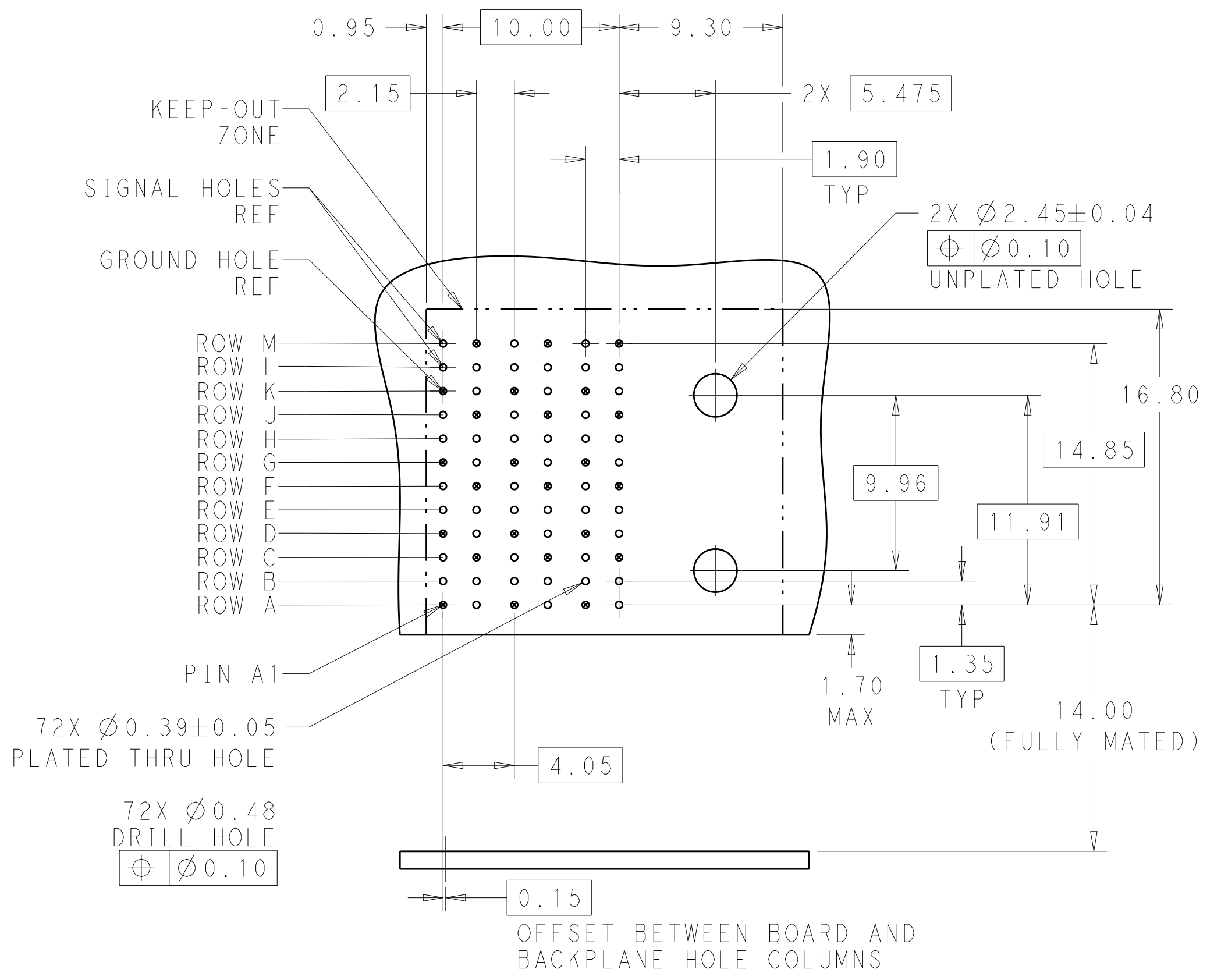
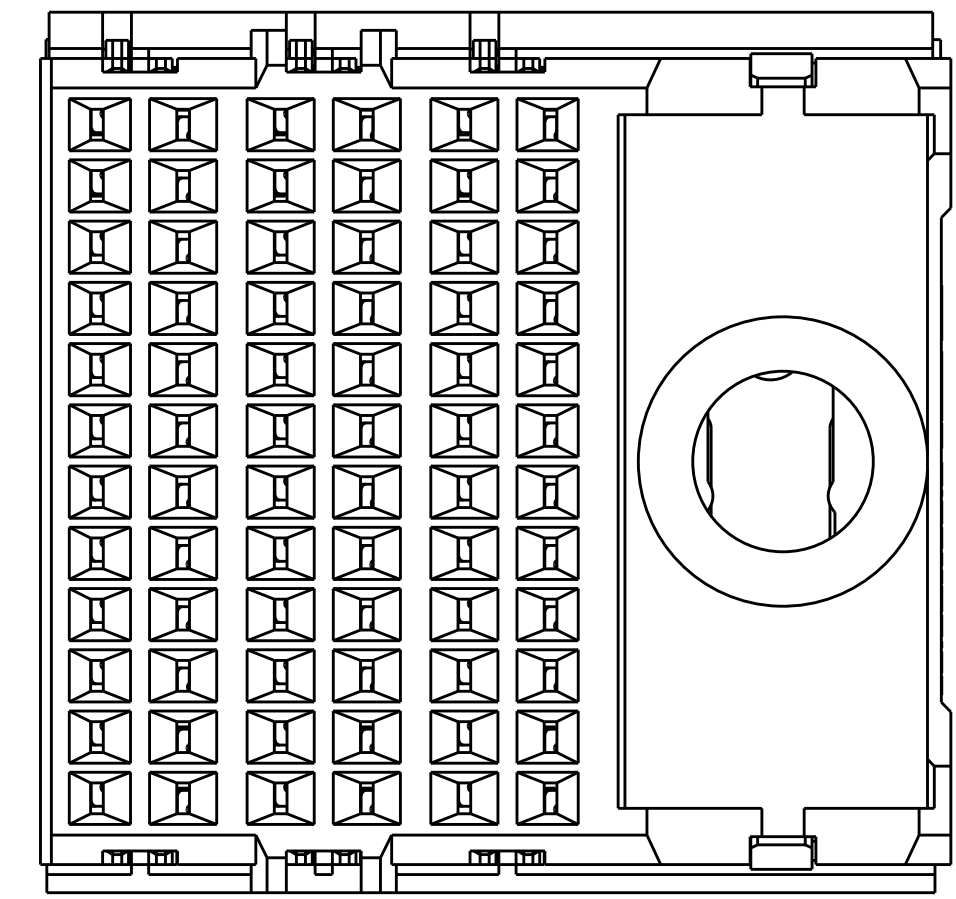


- ⚠ MATERIAL:
HOUSING: LCP, GLASS FILLED, UL94V-0.
TERMINALS: HIGH PERFORMANCE COPPER ALLOY.
- ⚠ FINISH:
30μ" SELECTIVE GOLD IN CONTACT AREA. SELECTIVE TIN ON PCB TAILS, NICKEL OVERALL.
- 3. CONNECTORS SUPPLIED WITH MOUNTING SCREWS.



SCALE 4:1

REFER TO WWW.TE.COM FOR PRODUCT AVAILABILITY



RECOMMENDED PCB LAYOUT
 MIN BOARD THICKNESS 1.0

NONE	⚠	2132462-1
KEY POSITION	FINISH	PART NUMBER

THIS DRAWING IS A CONTROLLED DOCUMENT.		DWN AJITH PAI 23MAY2015	TE Connectivity
DIMENSIONS: mm		CHK D. DIXON 23MAY2015	
TOLERANCES UNLESS OTHERWISE SPECIFIED:		APVD D. DIXON 23MAY2015	NAME: IMPACT, ORTHOGONAL, 4 PAIR, DAUGHTERCARD, 6 COLUMN, RIGHT GUIDED SIGNAL MODULE, 0.39 EYELET.
0 PLC ± 1 PLC ±0.25 2 PLC ±0.13 3 PLC ± 4 PLC ± ANGLES ±		PRODUCT SPEC APPLICATION SPEC SIZE CAGE CODE DRAWING NO WEIGHT CUSTOMER DRAWING	
MATERIAL ⚠ SEE TABLE		RESTRICTED TO	A100779C=2132462 SCALE 4:1 SHEET 1 OF 1 REV A

单击下面可查看定价，库存，交付和生命周期等信息

[>>TE Connectivity\(泰科\)](#)