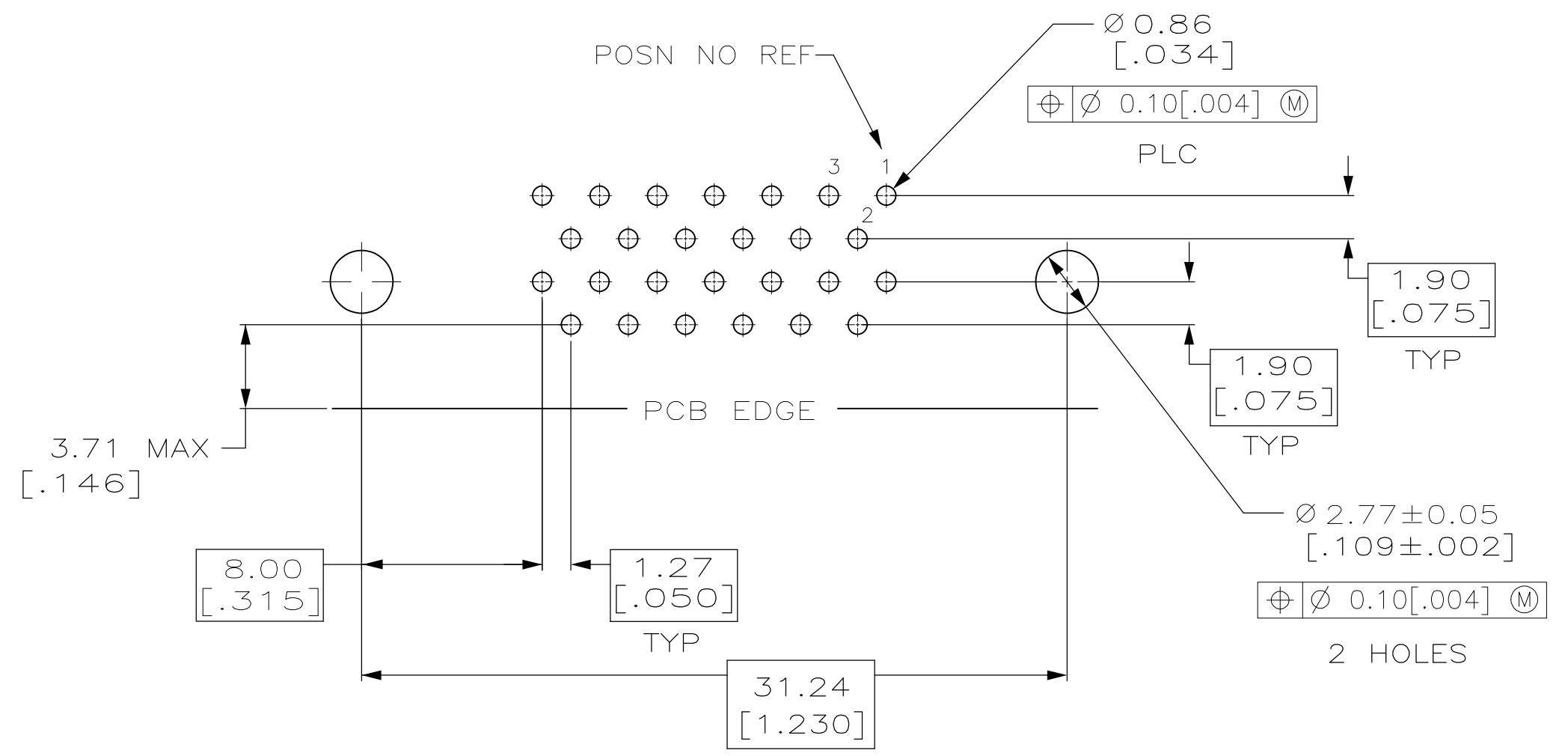
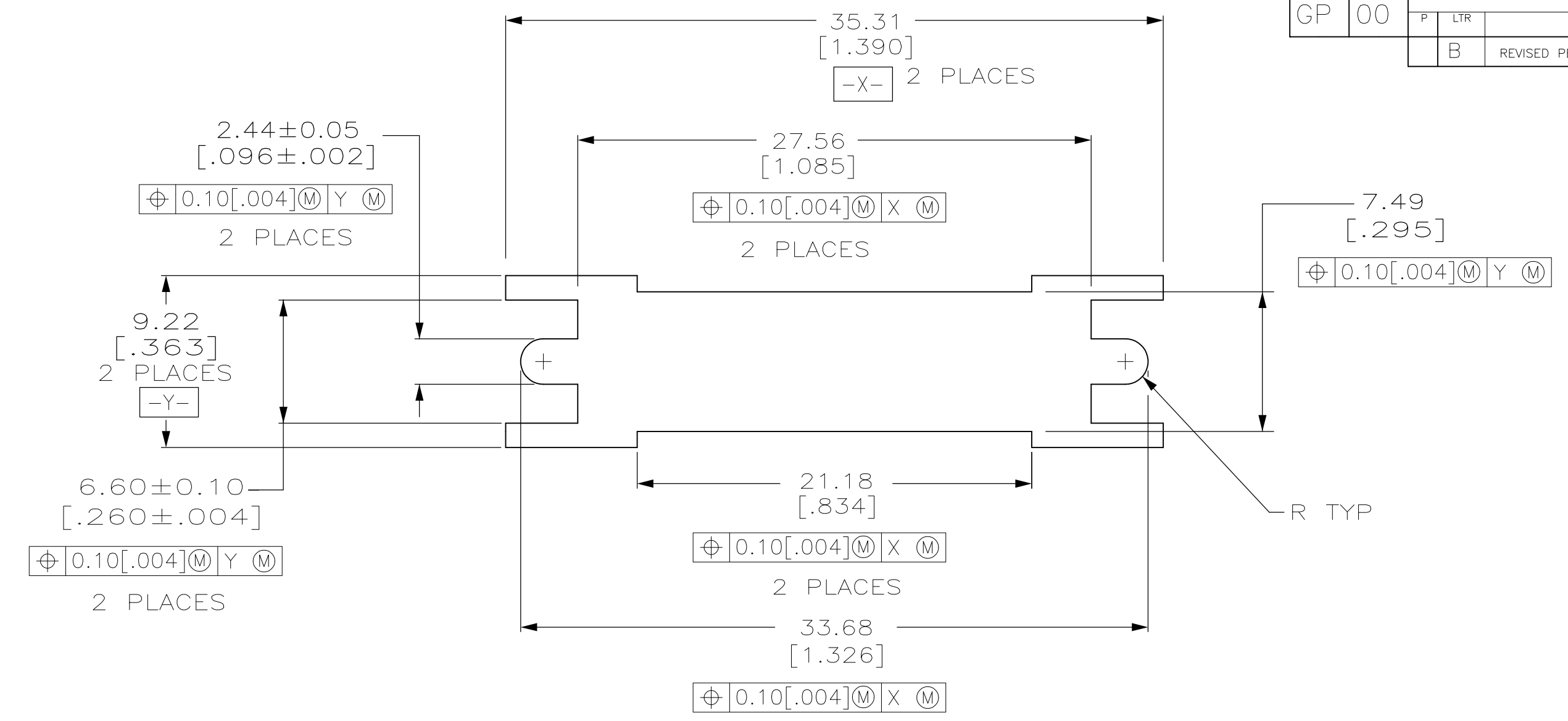


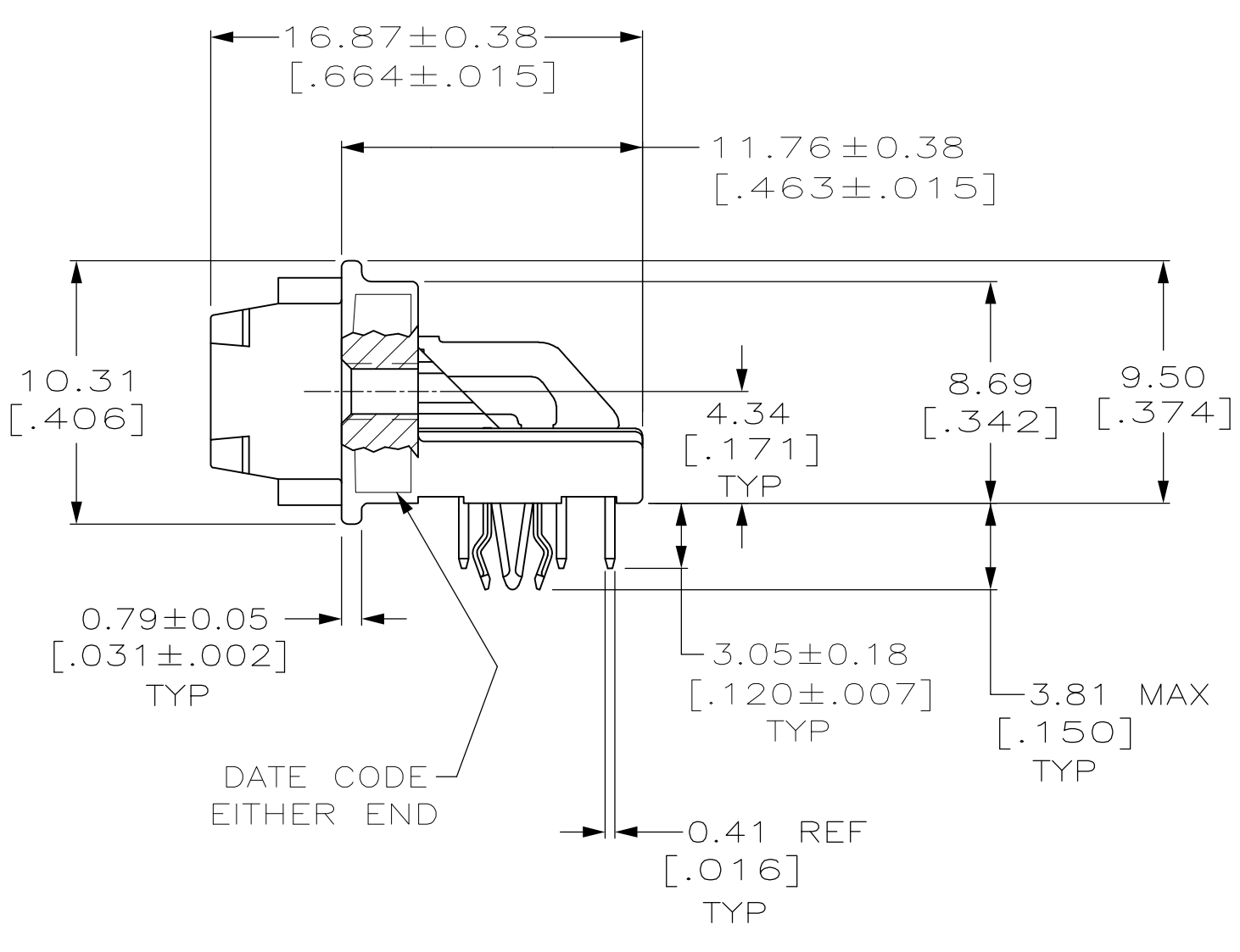
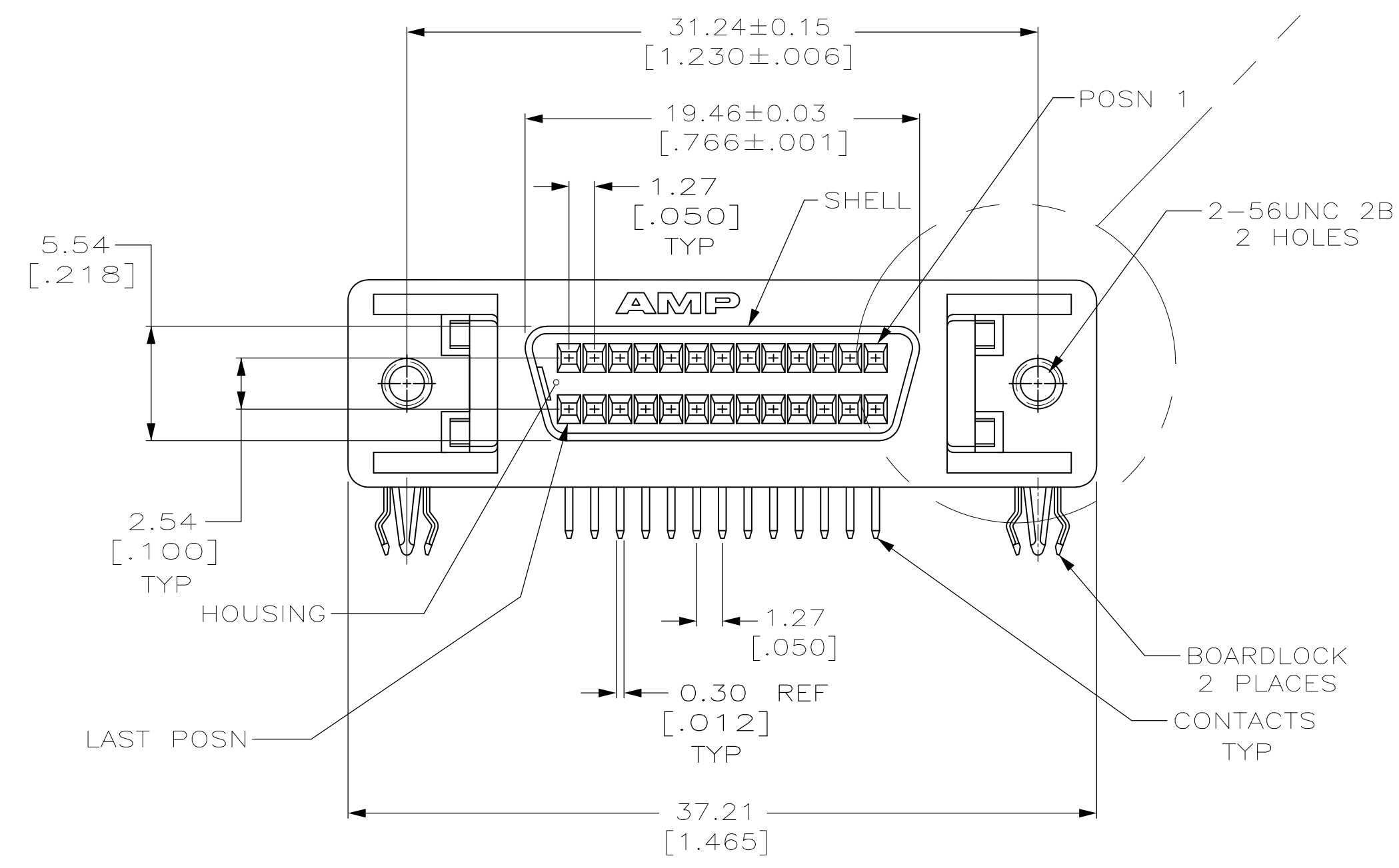
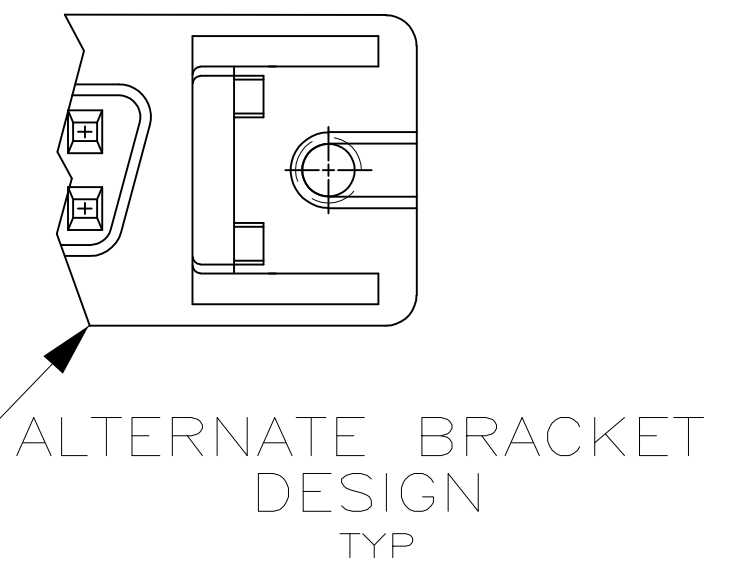
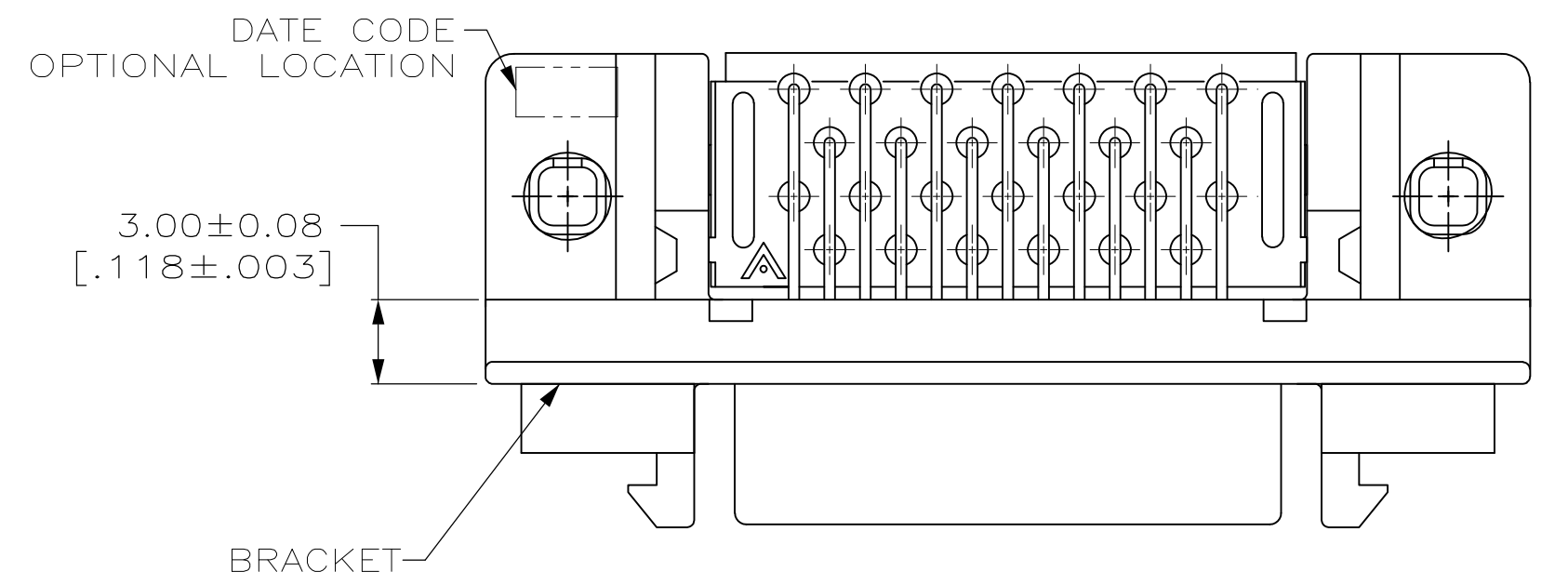
LOC		DIST		REVISONS			
GP	00	IF	LTR	DESCRIPTION	DATE	DWN	APVO
B				REVISED PER ECO-08-010444	17DEC2008	ZMR	SLB



P.C. BOARD MOUNTING DIMENSIONS  
CONNECTOR SIDE  
P. C. BOARD THICKNESS  $1.57 \pm 0.20 [0.062 \pm 0.008]$



RECOMMENDED PANEL CUTOUT



- 1 MATERIAL**  
 HOUSING & PIN SPACER: UL 94V-0 RATED, THERMOPLASTIC, BLACK  
 CONTACTS: PHOSPHOR BRONZE  
 BRACKET: ZINC  
 SHELL: CARBON STEEL  
 BOARDLOCKS: COPPER ALLOY
- 2 FINISH**  
 CONTACTS: EITHER 0.76um [0.00030] MIN GOLD PLATE FOR A LENGTH OF 0.64 [0.025] MAX, 0.13 [0.005] MIN FROM MATING END OR GOLD FLASH OVER PALLADIUM NICKEL PLATE, 0.76um [0.00030] MIN TOTAL FOR A LENGTH OF 0.64 [0.025] MAX, 0.13 [0.005] MIN FROM MATING END. 3.81um [0.00150] MIN TIN ON OPPOSITE END FOR A LENGTH OF 2.72 [0.107] MIN, BOTH OVER 1.27um [0.00050] MIN NICKEL.  
 SHELL: 5.08um [0.000200] MIN NICKEL OVER 1.27um [0.00050] MIN COPPER.  
 BRACKET: 2.54um [0.000100] MIN NICKEL OVER 5.08um [0.000200] COPPER.  
 BOARDLOCK: 5.08um [0.000200] MIN TIN OVER 1.27um [0.00050] MIN NICKEL.

26	6364491-1
NO. OF POSITIONS	PART NUMBER

**COPYRIGHT 2005  
 TYCO ELECTRONICS CORP  
 ALL RIGHTS RESERVED**

THIS DRAWING IS A CONTROLLED DOCUMENT.		DWN L VARELA - DOCKS 02-14-05	Tyco Electronics Corporation	
DIMENSIONS: mm [INCHES]		CHK S SHUEY 02-14-05	Harrisburg, PA 17105-3608	
TOLERANCES UNLESS OTHERWISE SPECIFIED:		APRD M WALSLEY 02-14-05	NAME	
0 PLC ± -	1 PLC ± -	PRODUCT SPEC		
2 PLC ± 0.13 [0.005]	3 PLC ± -	108-1228		
4 PLC ± -	ANGLES ± -	APPLICATION SPEC		
MATERIAL	FINISH	SIZE	CAGE CODE	DRAWING NO
1	2	A1	00779	6364491
CUSTOMER DRAWING		SCALE	SHEET	REV
		4:1	1 OF 1	B

单击下面可查看定价，库存，交付和生命周期等信息

[>>TE Connectivity\(泰科\)](#)