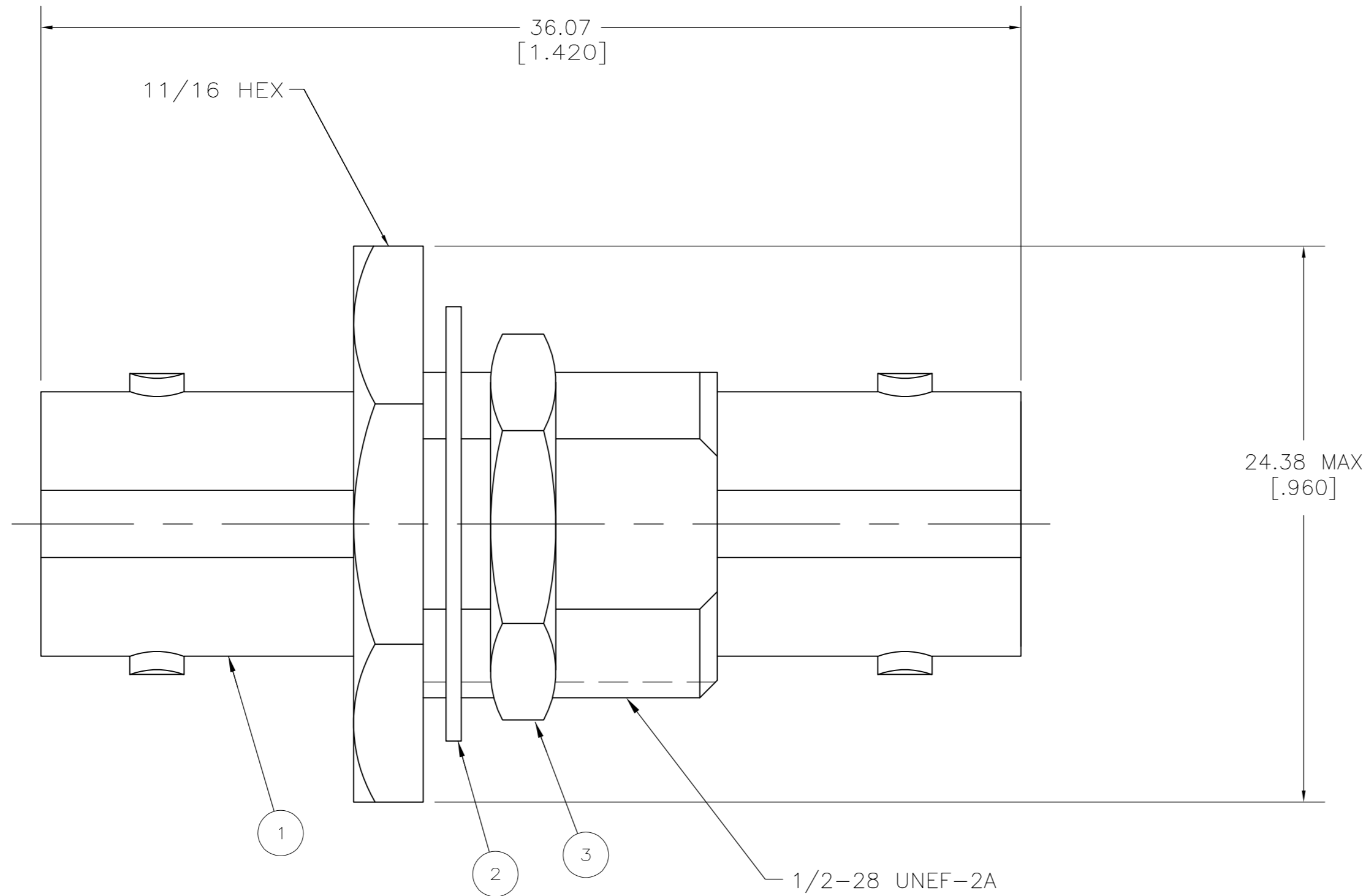
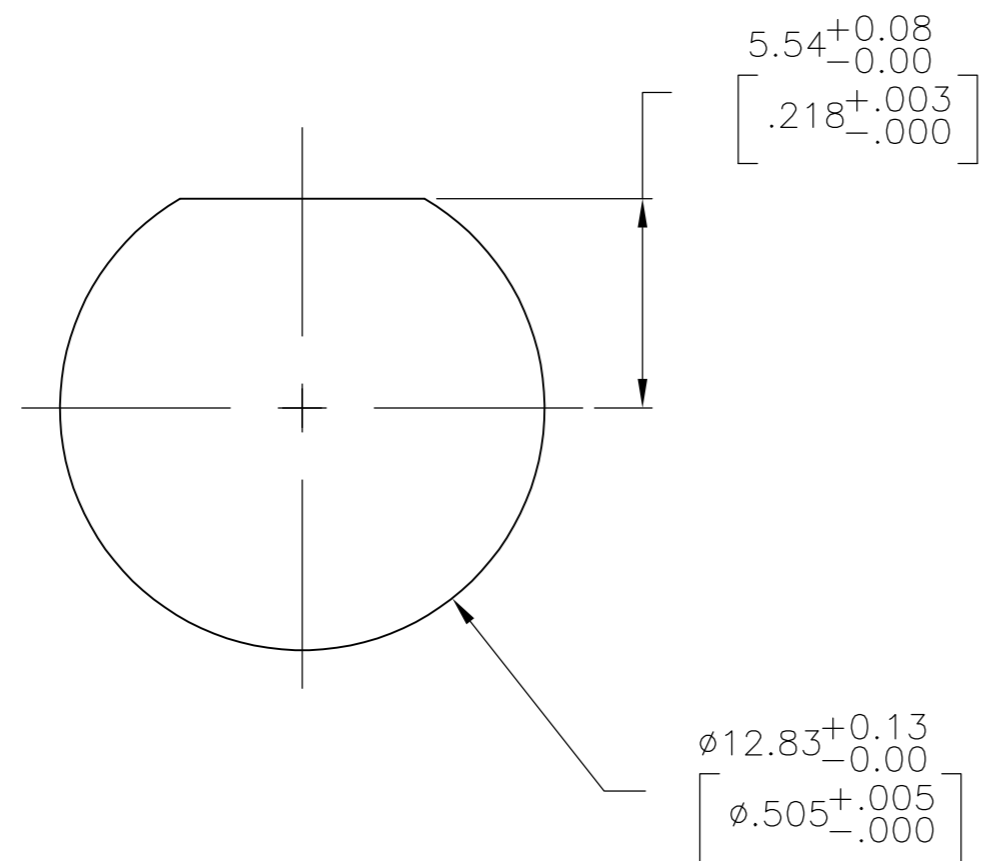


THIS DRAWING IS UNPUBLISHED. RELEASED FOR PUBLICATION  
 © COPYRIGHT - By - ALL RIGHTS RESERVED.

LOC	DIST	REVISIONS			
P	LTR	DESCRIPTION	DATE	DWN	APVD
AJ	16	A1	REVISED PER ECO-11-005030	11MAR11	RK HMR



- PARTS PACKAGED UNASSEMBLED.
- PANEL THICKNESS = 6.35 [.250] MAX.



RECOMMENDED PANEL CUTOUT

1-329631-2	1-329632-2	228255-2	5228226-3
1-329631-2	1-329632-2	9-228255-0	5228226-1
③ JAM NUT QTY=1	② LOCK WASHER QTY=1	① JACK ADAPTER ASSEMBLY QTY=1	PART NUMBER

DIMENSIONS:		TOLERANCES UNLESS OTHERWISE SPECIFIED:		DWN		NAME	
mm [INCHES]		0 PLC	± -	A. FERNANDEZ-DOCK5	18APR2005	TE Connectivity	
		1 PLC	± -	J. HAVENER	18APR2005	JACK TO JACK ADAPTER, BULKHEAD MOUNT, BNC	
		2 PLC	± -	J. LIPPERT	18APR2005	SIZE	A2
		3 PLC	± -			CAGE CODE	00779
		4 PLC	± -			DRAWING NO	C=5228226
		ANGLES	± -			RESTRICTED TO	-
MATERIAL		FINISH		WEIGHT	-	SCALE	5:1
						SHEET	1 of 1
				CUSTOMER DRAWING		REV	A1

单击下面可查看定价，库存，交付和生命周期等信息

[>>TE Connectivity\(泰科\)](#)