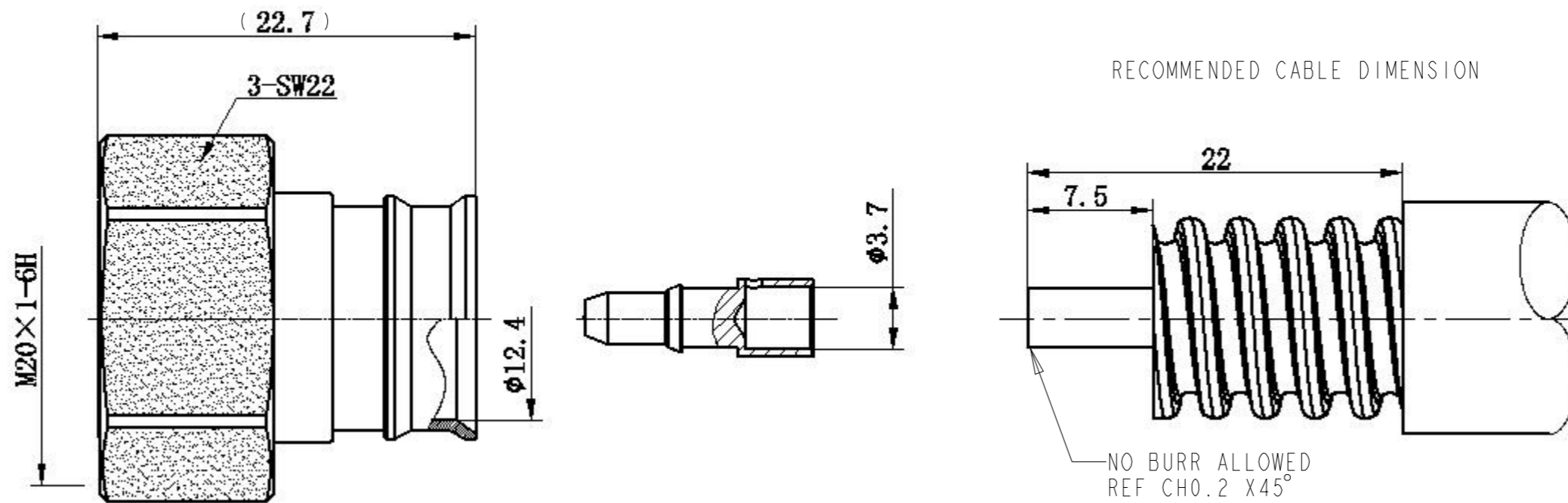


ELECTRICAL	MECHANICAL	ENVIRONMENTAL
IMPEDANCE <u>50 Ohm</u> FREQUENCY RANGE <u>DC to 6GHz</u> INSERTION LOSS: <u>Max. 0.05*SQRT(F) dB</u> VSWR: <u>Max. 1.15@0-3GHz</u> <u>Max. 1.20@3-6GHz</u> DIELECTRIC WITHSTAND VOLTAGE: <u>Max. 2500 V RMS</u> INSULATION RESISTANCE <u>Min. 5000 Mohms</u> PIM3: <u>Max. -160dBc @2x20W, 900MHz, 1800MHz,</u> <u>2100MHz tested with cable</u>	MATING CYCLES: <u>MIN. 100 CYCLES</u> RECOMMENDED TORQUE: <u>5Nm</u> CABLE PULLING: <u>500N MIN.</u> CABLE TORSION: <u>5Nm MAX.</u>	TEMPERATURE RANGE: <u>-40°~+85°C</u> SALT SPRAY: <u>96H</u> INTERFACE SEAL: <u>IP68(1m, 24h) MATED</u> PANEL SEAL: <u>N/A</u>

P	LTR	DESCRIPTION	DATE	DWN	APVD



NOTE:

1. INTERFACE ACCORDING TO IEC 61169-54
2. CENTER CONTACT IS SPARE PART, AND WILL BE PACKAGED SEPARATELY.

P/N	PART NAME	MATERIAL	PLATING
2081967-1	CENTER CONTACT	BRASS	SILVER
	OUTER CONTACT	BRASS	WHITE BRONZE
	INSULATOR	PTFE	
	O-RING	SILICONE RUBBER	
	OTHERS	BRASS	NICKEL

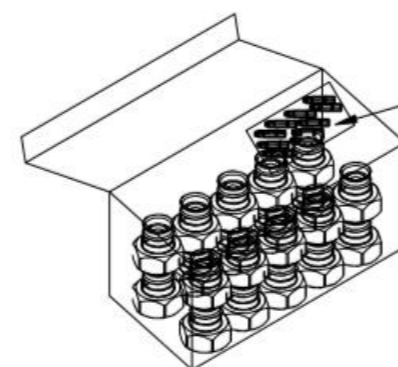
THIS DRAWING IS A CONTROLLED DOCUMENT.		DWN	JZ	10MAR2020					
DIMENSIONS: mm		CHK	RZ	10MAR2020					
TOLERANCES UNLESS OTHERWISE SPECIFIED:		APVD	RS	10MAR2020	NAME				
0 PLC ±0.3 1 PLC ±0.2 2 PLC ±0.10 3 PLC ±0.100 4 PLC ±0.1000 ANGLES ±		PRODUCT SPEC		108-115175		4.3-10 STRAIGHT PLUG, SCREW FOR 1/2 SUPERFLEX CABLE SOLDER TYPE			
MATERIAL SEE TABLE		APPLICATION SPEC		408-160010		SIZE	CAGE CODE	DRAWING NO	RESTRICTED TO
FINISH SEE TABLE		WEIGHT		26g		A3	00779	©=2081967	-
-		CUSTOMER DRAWING		SCALE 1:1		SHEET 1 OF 2		REV A	

REVISIONS

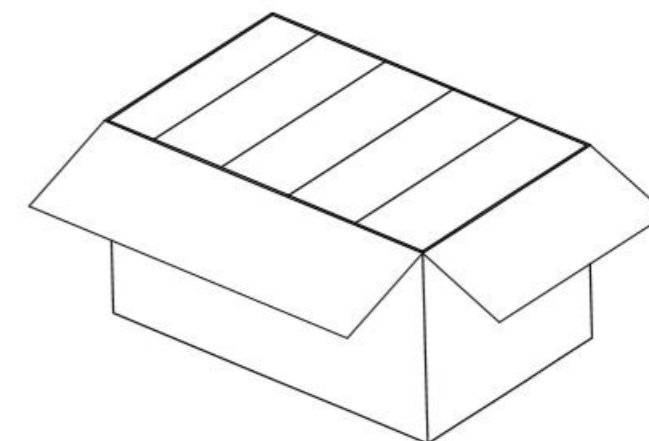
P	LTR	DESCRIPTION	DATE	DWN	APVD



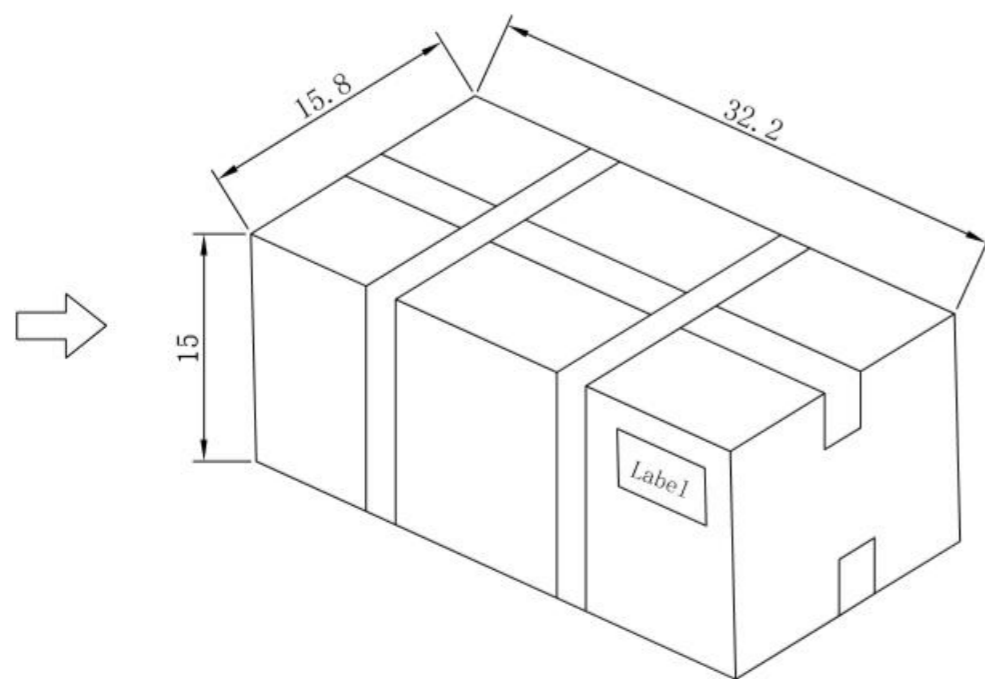
VACUUM PACKING (5PCS/BAG)



INNER BOX (20PCS/BOX)



OUTER BOX (200PCS/BOX)



PACKAGE

(BOX SIZE ONLY FOR REFERENCE, UNIT: CM)

THIS DRAWING IS A CONTROLLED DOCUMENT.		DWN JZ	10MAR2020		
DIMENSIONS: mm		CHK RZ	10MAR2020		
TOLERANCES UNLESS OTHERWISE SPECIFIED:		APVD RS	10MAR2020	NAME 4.3-10 STRAIGHT PLUG, SCREW FOR 1/2 SUPERFLEX CABLE SOLDER TYPE	
		PRODUCT SPEC 108-115175		SIZE A3	
MATERIAL SEE TABLE		APPLICATION SPEC 408-160010		CAGE CODE 00779	DRAWING NO C-2081967
FINISH SEE TABLE		WEIGHT 26g		RESTRICTED TO -	
-		CUSTOMER DRAWING		SCALE 1:1	SHEET 2 OF 2
-				REV A	

单击下面可查看定价，库存，交付和生命周期等信息

[>>TE Connectivity\(泰科\)](#)