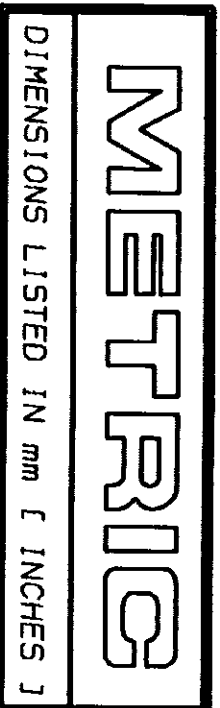
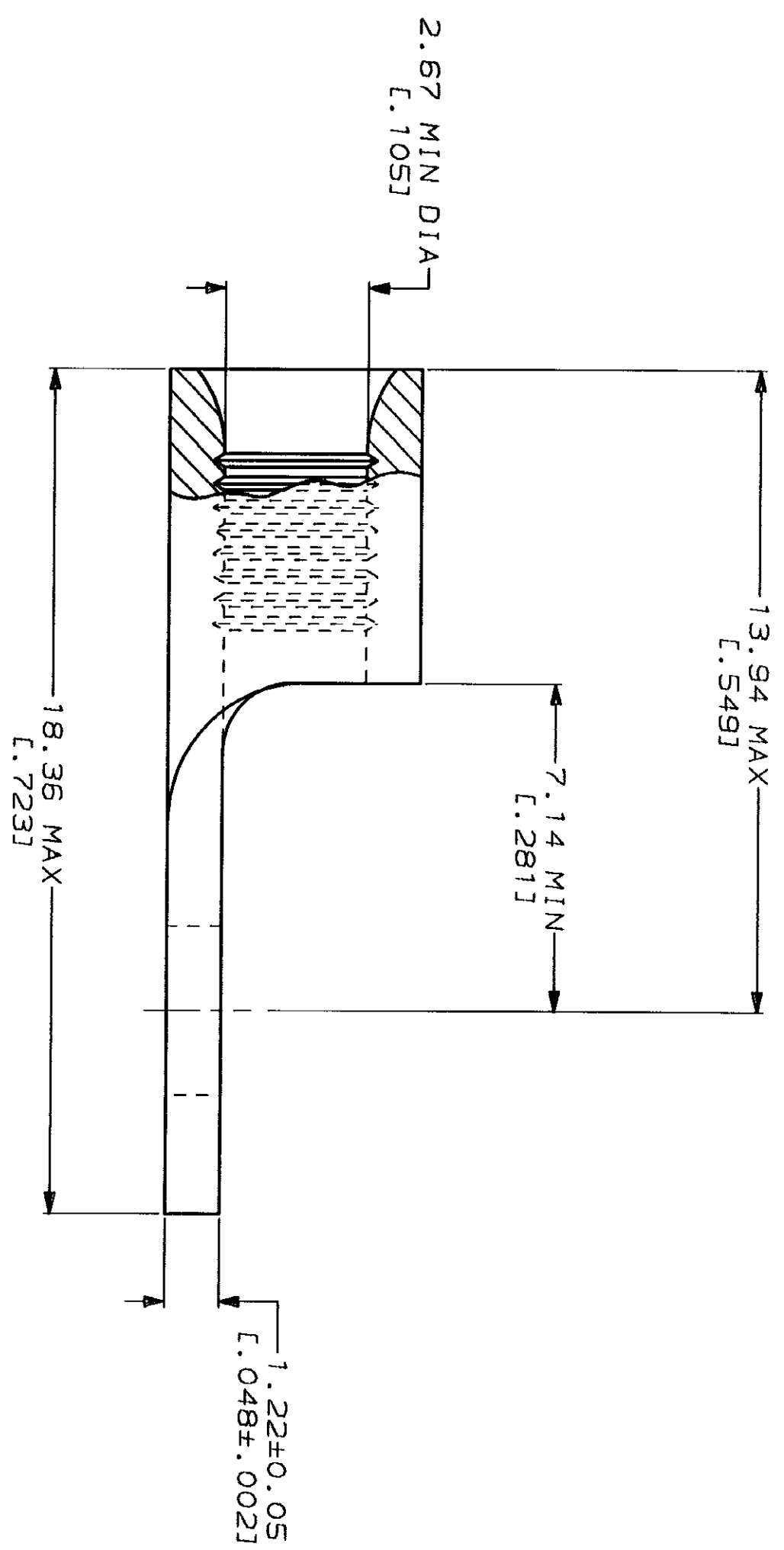
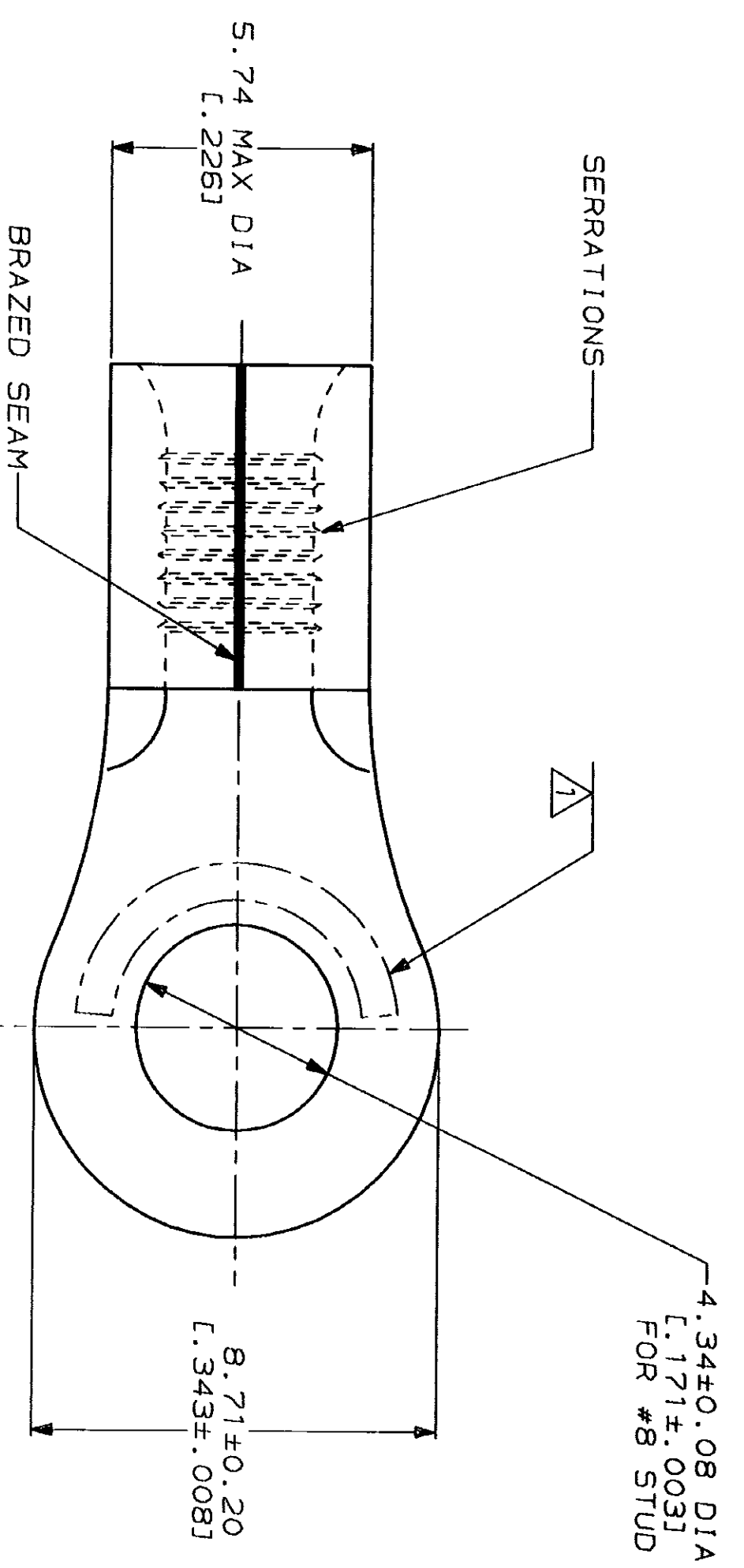


LOC	DIST	P	ZONE	LTR	DESCRIPTION	DATE	APPD
G	14				REV & REDRAWN PER 0720-0040-93	3-17-93	GLDAP



<b>AMP</b> WIRE RANGE	<b>UL</b> E13288 Listed
16-14HD AWG SOLID OR STRANDED	16-14HD AWG STRANDED
<b>LR7189</b> Certified	MILITARY P/N AND CLASS
16-14HD AWG SOLID OR STRANDED	NOT APPLICABLE

△ STAMP AMP 16-14HD\* APPROX AS SHOWN



**AMP INCORPORATED  
 CUSTOMER SERVICE SYSTEMS**

FOR ADDITIONAL PRODUCT INFORMATION OR COPIES OF DRAWINGS AND TECHNICAL DOCUMENTS	PRODUCT INFORMATION CENTER 1-800-522-6752
FOR APPLICATION TOOLING INFORMATION	TOOLING ASSISTANCE CENTER 1-800-722-1111
FOR ORDER ENTRY	1-800-526-5142

MAX RECOMMENDED OPERATING TEMPERATURE:	170°C MAX
VOLTAGE RATING:	NOT APPLICABLE
WIRE CROSS SECTIONAL AREA RANGE: SOLID OR STRANDED	1.04-2.62mm <sup>2</sup> (2,050-5,180) CIR MILS

DO NOT SCALE PRINT. UNLESS SPECIFIED DIMENSIONS IN mm [INCHES] TOLERANCES ON:	DR 3-17-93 GL KRUPP
2 PLC DEC #	CHK 3-17-93 DA PATTERSON
3 PLC DEC #	APPD 3-17-93 DE MILLER
ANGLES	APPD 3-17-93 JL MECKLEY
MATERIAL	PRODUCT SPEC
COPPER PER ASTM B-152 ANNEALED	APPLICATION SPEC
FINISH TIN PLATE	WEIGHT
0.00254 [L.000100] MIN THK PER MIL-T-10727	

**AMP**  
 AMP Incorporated  
 Harrisburg, PA 17105-3608

TERMINAL, RING TONGUE,  
 HEAVY DUTY, SOLISTRAND™

PART NO  
 35432

SIZE	CAGE CODE	DRAWING NO
SCALE	00779	G-35432
8:1		

单击下面可查看定价，库存，交付和生命周期等信息

[>>TE Connectivity\(泰科\)](#)