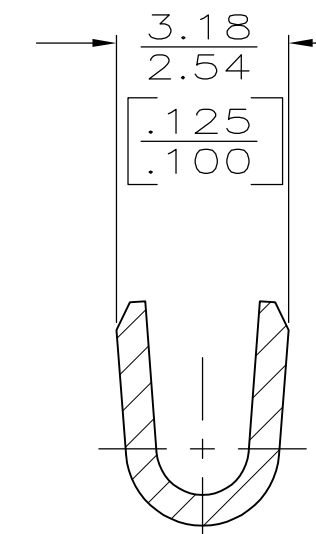
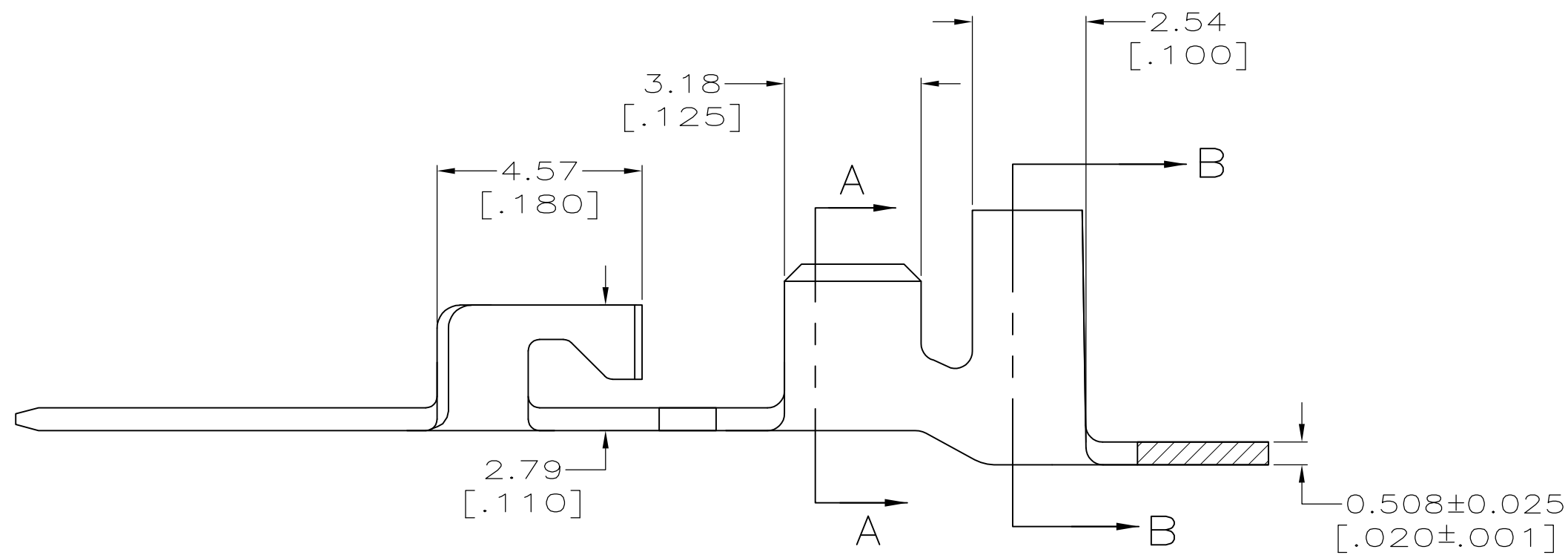
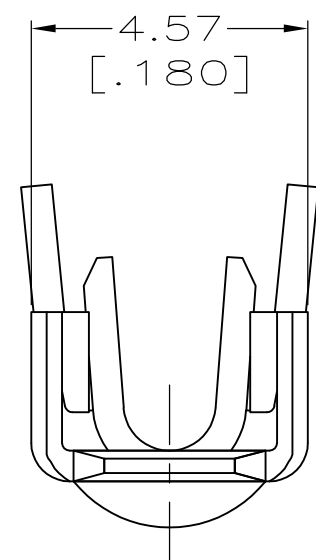
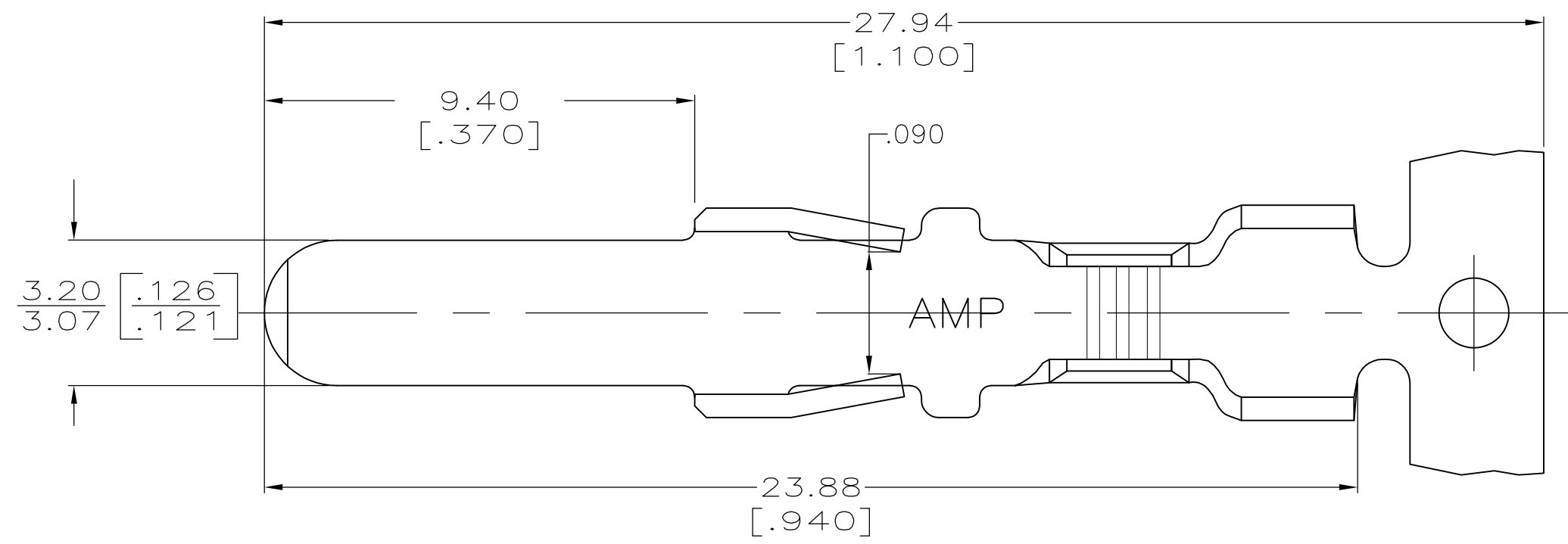


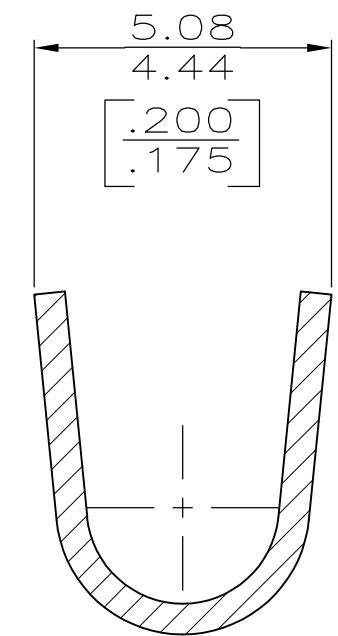
THIS DRAWING IS UNPUBLISHED. RELEASED FOR PUBLICATION
 © COPYRIGHT - By - ALL RIGHTS RESERVED.

LOC	DIST	REVISIONS					
		P	LTR	DESCRIPTION	DATE	DWN	APVD
AF	50	J1		REVISED PER ECR-12-019658	23NOV12	KH	GJ

- 1 CONTINUOUS STRIP ON REEL.
- 2 INSULATION RANGE 3.12[.123] MAX DIA.
- 3 WIRE SIZE IS 0.5-1.3mm²[#20-#16 AWG]



SECTION A-A



SECTION B-B

1217071

B

A

1217071-1
 PART NO

THIS DRAWING IS A CONTROLLED DOCUMENT.		DWN	JR RUTH	3/10/98	STE TE Connectivity			
DIMENSIONS: mm [INCHES]		CHK	P FORTNEY	3/10/98				
TOLERANCES UNLESS OTHERWISE SPECIFIED:		APVD	R KUZO	3/10/98				
0 PLC ± - 1 PLC ± - 2 PLC ± 0.25 [.010] 3 PLC ± - 4 PLC ± - ANGLES ± -		PRODUCT SPEC	NAME					
MATERIAL		APPLICATION SPEC		114-2145	SIZE	CAGE CODE	DRAWING NO	RESTRICTED TO
BRASS		FINISH		POST PLATED TIN	A2	00779	C=1217071	-
CUSTOMER DRAWING					SCALE	8:1	SHEET	1 OF 1
					REV	J1		

单击下面可查看定价，库存，交付和生命周期等信息

[>>TE Connectivity\(泰科\)](#)