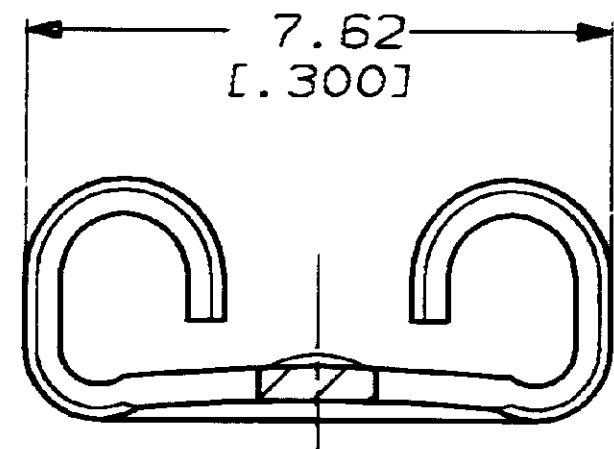
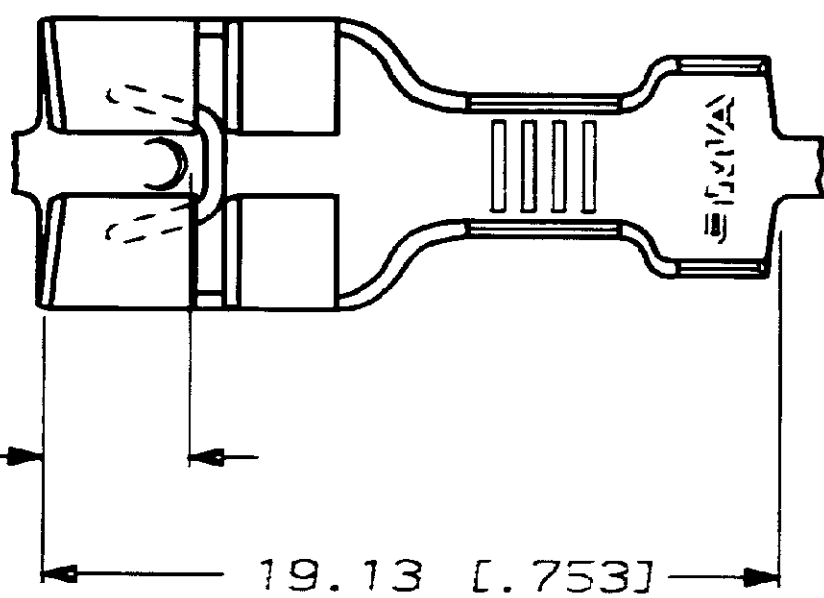


THIS DRAWING IS UNPUBLISHED. RELEASED FOR PUBLICATION .19

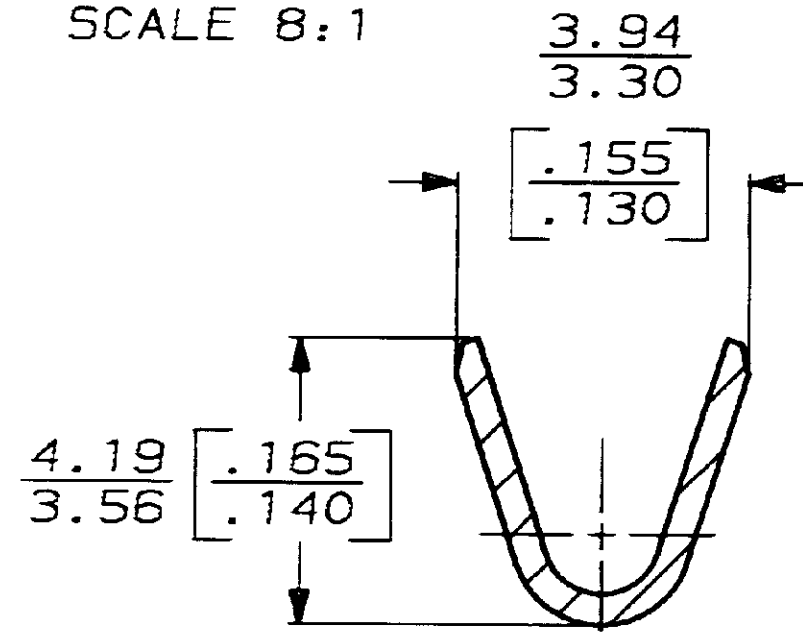
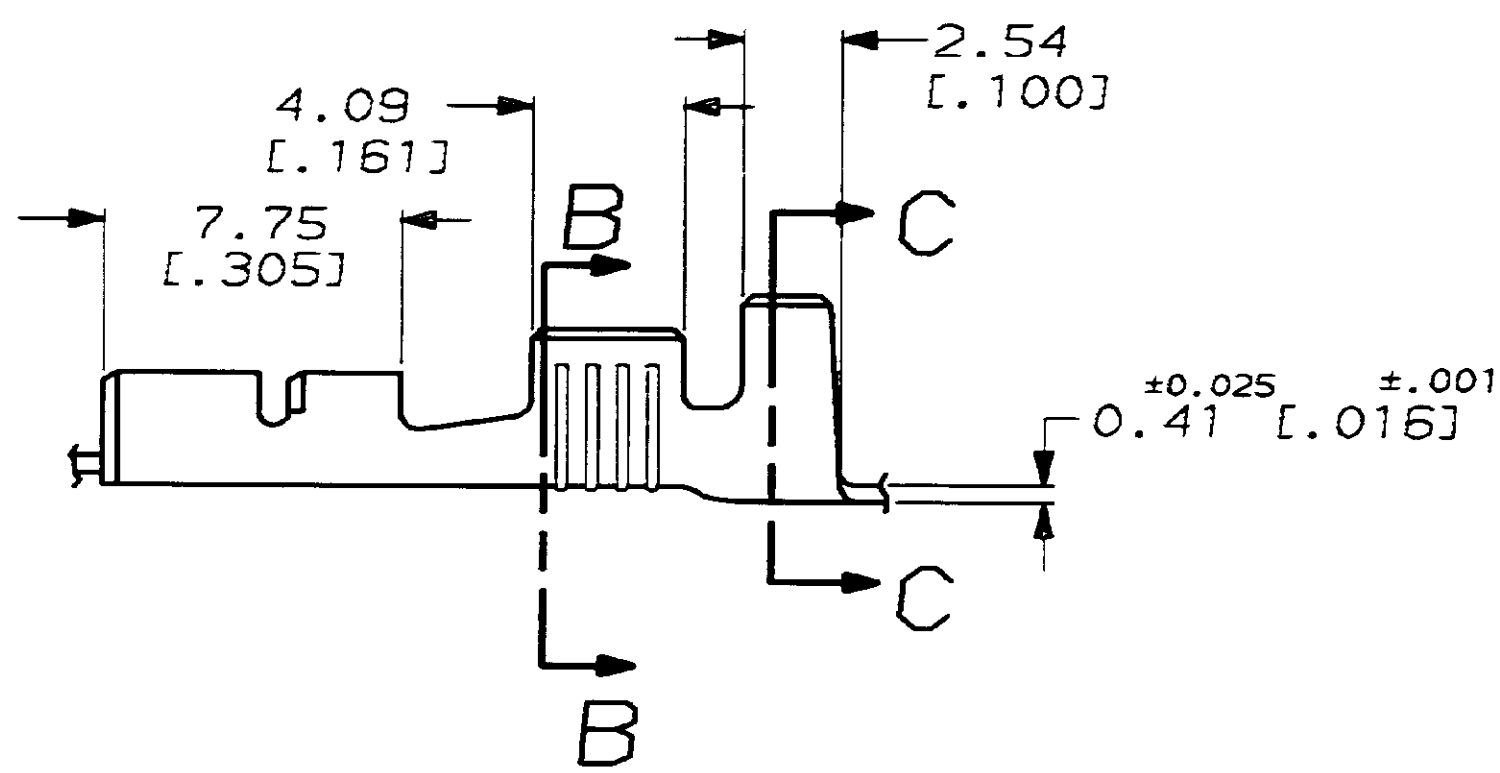
© COPYRIGHT 19 BY AMP INCORPORATED. ALL INTERNATIONAL RIGHTS RESERVED.

LOC		DIST		P		F		ZONE		LTR		REVISIONS		DATE	APPD
AF		50								A		REL PER 0197-93		6/11/93	-

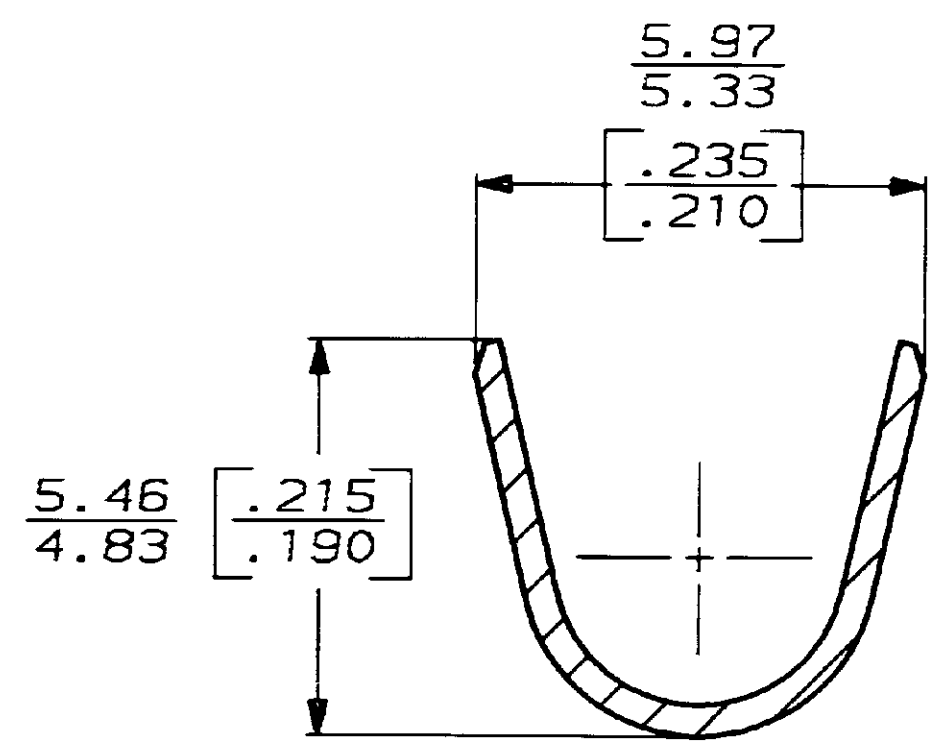


VIEW A-A
SCALE 8:1

1 CONTINUOUS STRIP ON REELS.



SECTION B-B
SCALE 8:1



SECTION C-C
SCALE 8:1

TYPE	WIDTH	STRIP LENGTH ±.015	TYPE	WIDTH	HEIGHT ±0.051 [.002]	WIRE
F	4.57 [.180]	5.59 [.220]	F	2.79 [.110]	1.47 [.058]	0.8mm² (#18)
					1.62 [.064]	1.3mm² (#16)
					1.85 [.073]	2.0mm² (#14)
INSUL BARREL CRIMP			WIRE BARREL CRIMP			

3.05-4.32 DIA [.120-.170] DIA	0.8-2.0mm² [18-14] AWG	0.81 [.032]	63674-1
INSUL RANGE	WIRE SIZE	MATING TAB THK ±0.025 [.001]	PART NO.
DO NOT SCALE PRINT. UNLESS SPECIFIED DIMENSIONS ARE IN METRIC TOLERANCES ON: 2 PLC DEC ± 0.25 [.010] 3 PLC DEC ± - ANGLES ± -		AMP AMP INCORPORATED Harrisburg, Pa. 17105 NAME RECEPTACLE, FASTON, LOW-INSERTION 6.35 [.250] SERIES	
MATERIAL TEMP 2 STEEL	FINISH NICKEL 0.00381 [.000150] MIN	DR 11/5/92 JR RUTH CHK 11/5/92 MS FEHER APPD 11/5/92 C MEYERS APPD 11/5/92 R REINER PRODUCT SPEC -	SIZE B FSCM NO 00779 DRAWING NO 63674
APPLICATION SPEC -	WEIGHT -	SCALE 4:1	SHEET 1 OF 1

单击下面可查看定价，库存，交付和生命周期等信息

[>>TE Connectivity\(泰科\)](#)