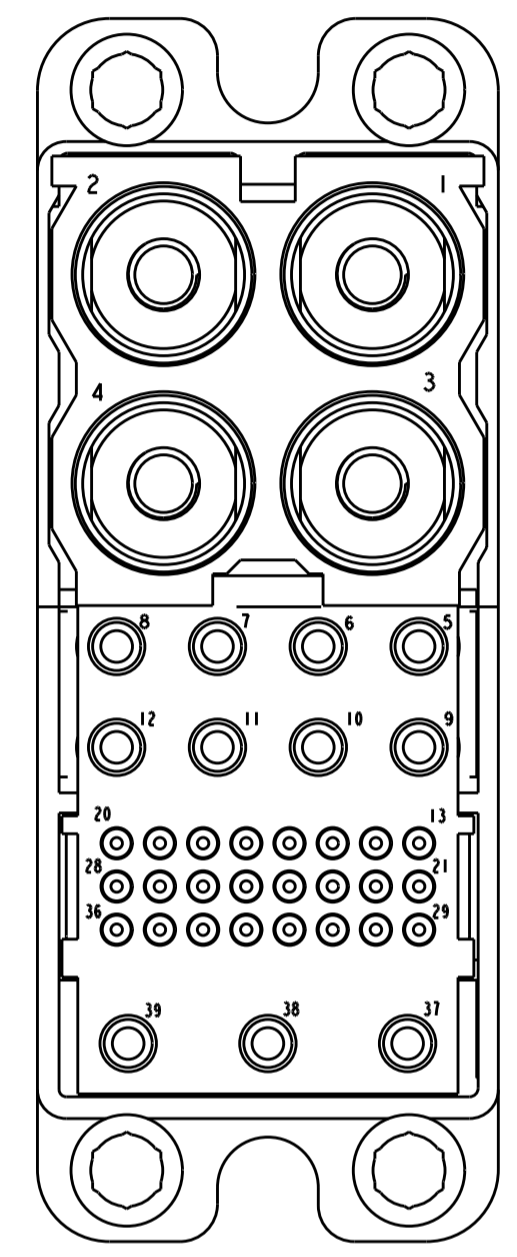
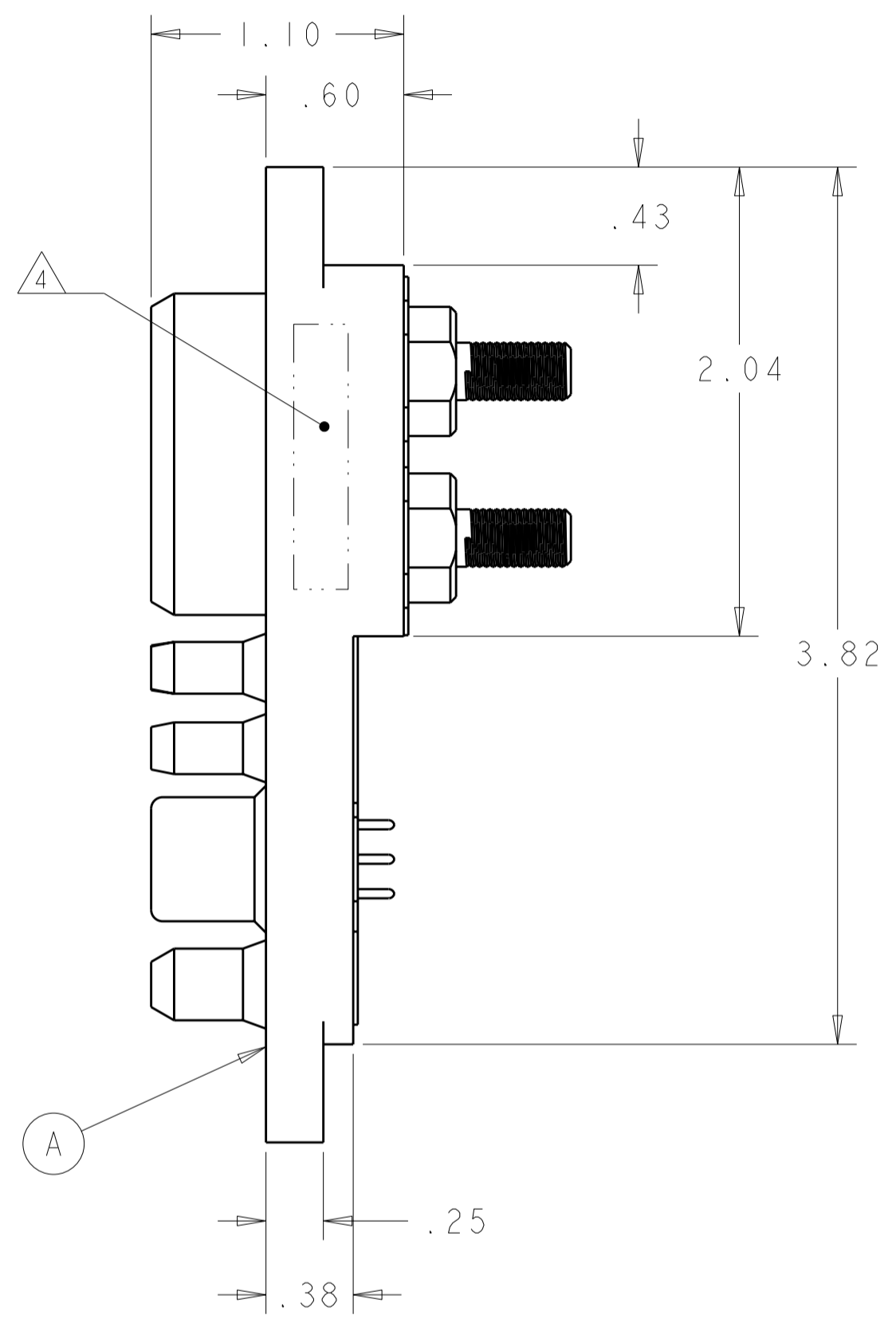
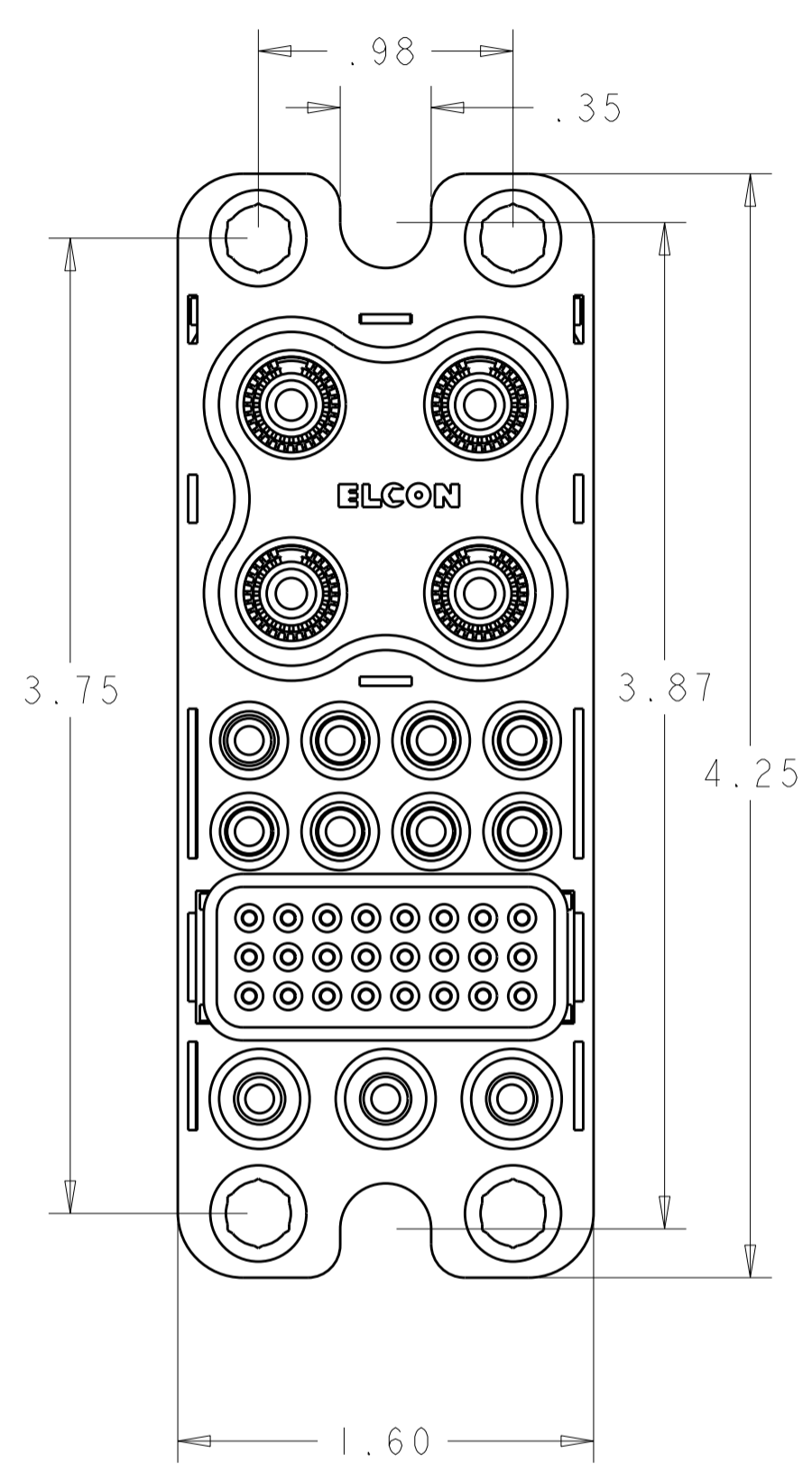


LOC		DIST		REVISIONS			
P	LTR	DESCRIPTION	DATE	DWN	APVD		
GP	00	A	NEW RELEASE	12JUL2007	RG	DO	
		B	REV PER ECO-07-028453	05DEC2007	RG	DO	



- SOCKET CONTACT (B) SIZE #0
- SOCKET CONTACT (D) SIZE #12
- SOCKET CONTACT (C) SIZE #20
- SOCKET CONTACT (D) SIZE #12

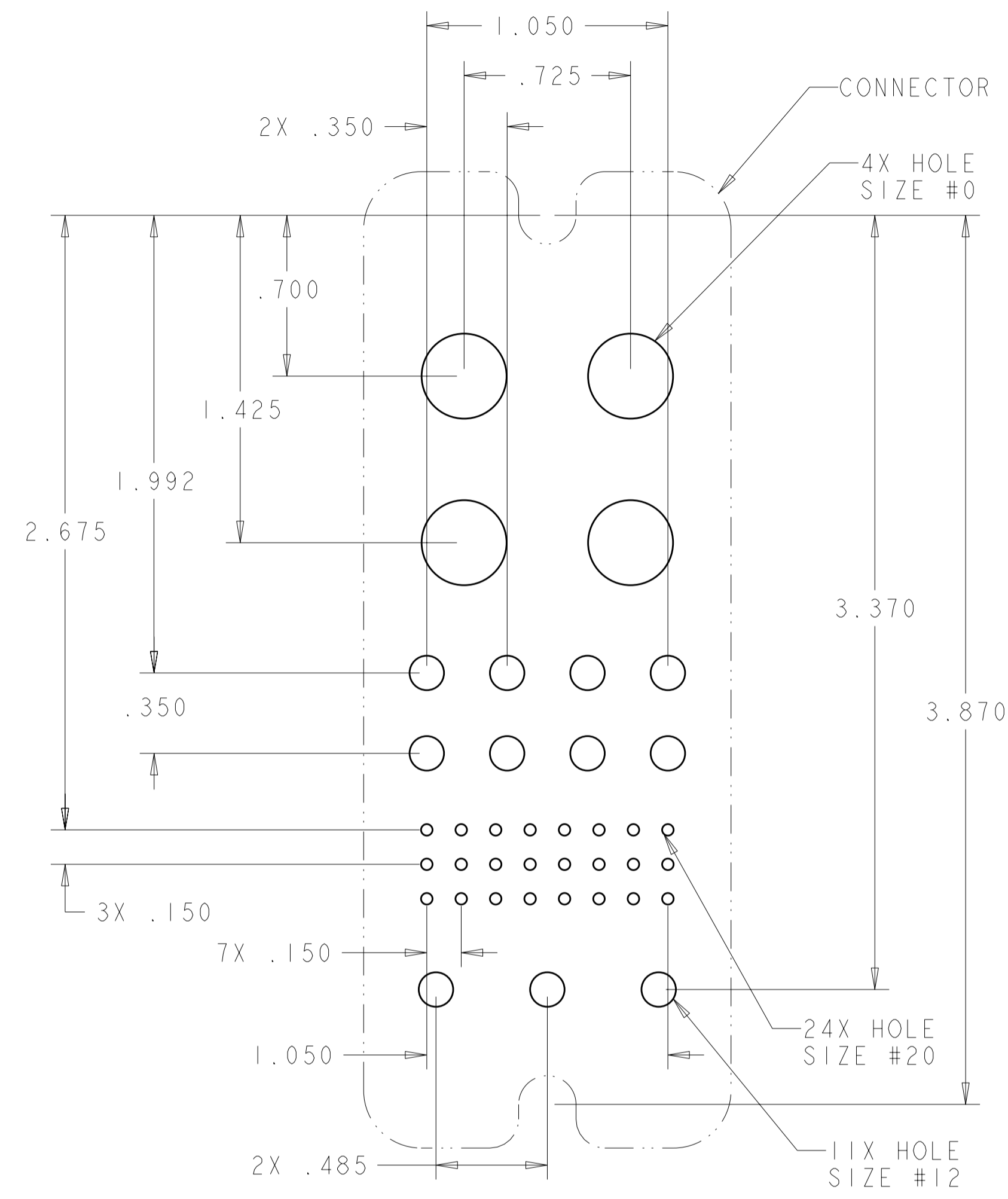
△6	11	6648318-1	CONTACT SOCKET, #12, CRIMP	D
△5	24	1648382-1	CONTACT SOCKET, #20, PCB TAIL	C
	4	6648431-1	CONTACT SOCKET, #0 (PROBE PROOF) M6 EXT THRD.	B
	1	1648578-2	CONNECTOR HOUSING, SOCKET	A
	-1	PART NUMBER	DESCRIPTION	ITEM

<small>THIS DRAWING IS A CONTROLLED DOCUMENT FOR TYCO ELECTRONICS CORPORATION. IT IS SUBJECT TO CHANGE AND THE CONTROLLING ENGINEERING ORGANIZATION SHOULD BE CONTACTED FOR THE LATEST REVISION.</small>		DWN R. GRZYBOWSKI 26 JUN 07 CHK D. ORRIS 26 JUN 07 APVD S. FLICKINGER 26 JUN 07	Tyco Electronics Harrisburg, PA 17105-3608
DIMENSIONS: INCHES	TOLERANCES UNLESS OTHERWISE SPECIFIED: 0 PLC ± 1 PLC ±.02 2 PLC ±.010 3 PLC ±.010 4 PLC ± ANGLES ±.5 FINISH	PRODUCT SPEC APPLICATION SPEC WEIGHT	NAME SOCKET CONNECTOR ASSEMBLY DOUBLE DRAWER SIZE CAGE CODE DRAWING NO RESTRICTED TO A200779C-1926564 -
MATERIAL		CUSTOMER DRAWING	SCALE 2:1 SHEET 1 OF 2 REV B

ELCON DOUBLE DRAWER

THIS DRAWING IS UNPUBLISHED. RELEASED FOR PUBLICATION 20
 © COPYRIGHT 20 BY TYCO ELECTRONICS CORPORATION. ALL RIGHTS RESERVED.

LOC	DIST	REVISIONS					
GP	00	P	LTR	DESCRIPTION	DATE	DWN	APVD
		-		SEE SHEET 1			



- PART NUMBER CHANGES AND OR DESIGN CHANGES AFFECTING THE INTERCHANGEABILITY REQUIRE PRIOR TYCO ELECTRONICS APPROVAL AND AUTHORIZATION BY REVISION TO THIS DRAWING.
- MATERIAL:
 INSULATOR: THERMOPLASTIC, GLASS REINFORCED, UL 94V-0
 FLAMMABILITY RATED, COLOR: BLACK
 PIN CONTACT SIZE No. 0 : COPPER ALLOY
 PIN CONTACT SIZE No. 12 & 20 : BRASS ALLOY
 RETENTION CLIP: BERYLLIUM COPPER OR STAINLESS STEEL
- FINISH:
 PIN CONTACTS SIZE#0 & #12: SILVER PLATE .000200 MIN THK.
 OVER NICKEL .000040 MIN THK.
 PIN CONTACTS SIZE #20: GOLD PLATE .000030 MIN THK.
 OVER NICKEL .000040 MIN THK.

4 ITEMS PROVIDED TO THIS SPECIFICATION TO BE PERMANENTLY IDENTIFIED PER THE FOLLOWING IDENTIFIER:

TYCO ELECTRONICS P/N XXXXXX-X DATE CODE (e.g. 0216) XXXX YEAR WEEK

- SOLDER TAIL CONTACTS (ITEM C) ARE INSERTABLE/NON-REMOVABLE
- CRIMP CONTACTS (ITEM D) SHALL BE PACKAGED SEPERATELY AND PLACED IN THE BOX WITH THE CONNECTOR ASSEMBLY.

ELCON **DOUBLE DRAWER**

THIS DRAWING IS A CONTROLLED DOCUMENT FOR TYCO ELECTRONICS CORPORATION. IT IS SUBJECT TO CHANGE AND THE CONTROLLING ENGINEERING ORGANIZATION SHOULD BE CONTACTED FOR THE LATEST REVISION.		DWN R. GRZYBOWSKI 26 JUN 07	Tyco Electronics Harrisburg, PA 17105-3608	
DIMENSIONS: INCHES		CHK D. ORRIS 26 JUN 07	NAME SOCKET CONNECTOR ASSEMBLY DOUBLE DRAWER	
TOLERANCES UNLESS OTHERWISE SPECIFIED: 0 PLC ± 1 PLC ± 2 PLC ±.02 3 PLC ±.010 4 PLC ± ANGLES ±.5 FINISH		APVD S. FLICKINGER 26 JUN 07	SIZE A200779	
MATERIAL		PRODUCT SPEC APPLICATION SPEC	DRAWING NO C-1926564	RESTRICTED TO
		WEIGHT	SCALE 2:1	SHEET 2 OF 2 REV B
		CUSTOMER DRAWING		

单击下面可查看定价，库存，交付和生命周期等信息

[>>TE Connectivity\(泰科\)](#)