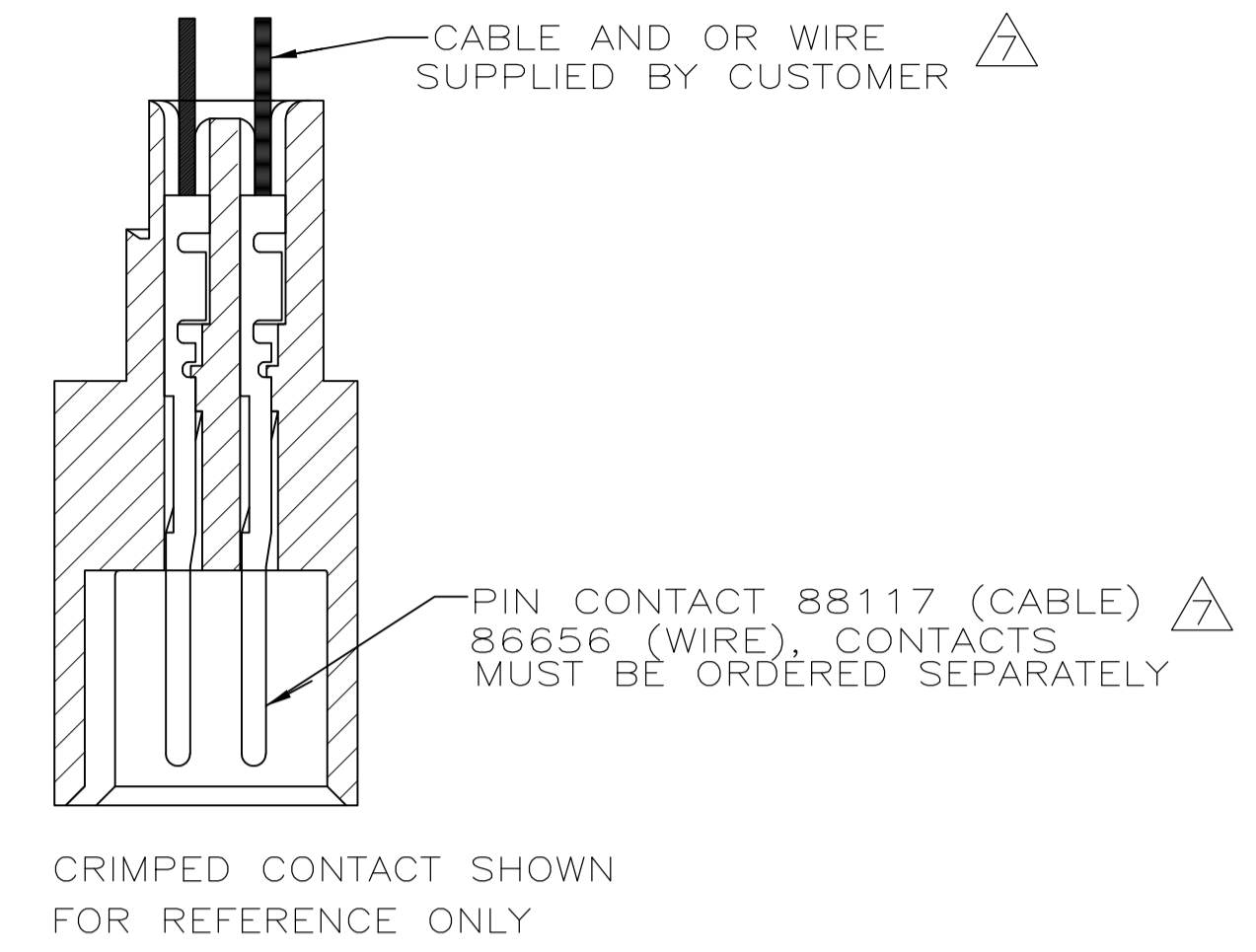
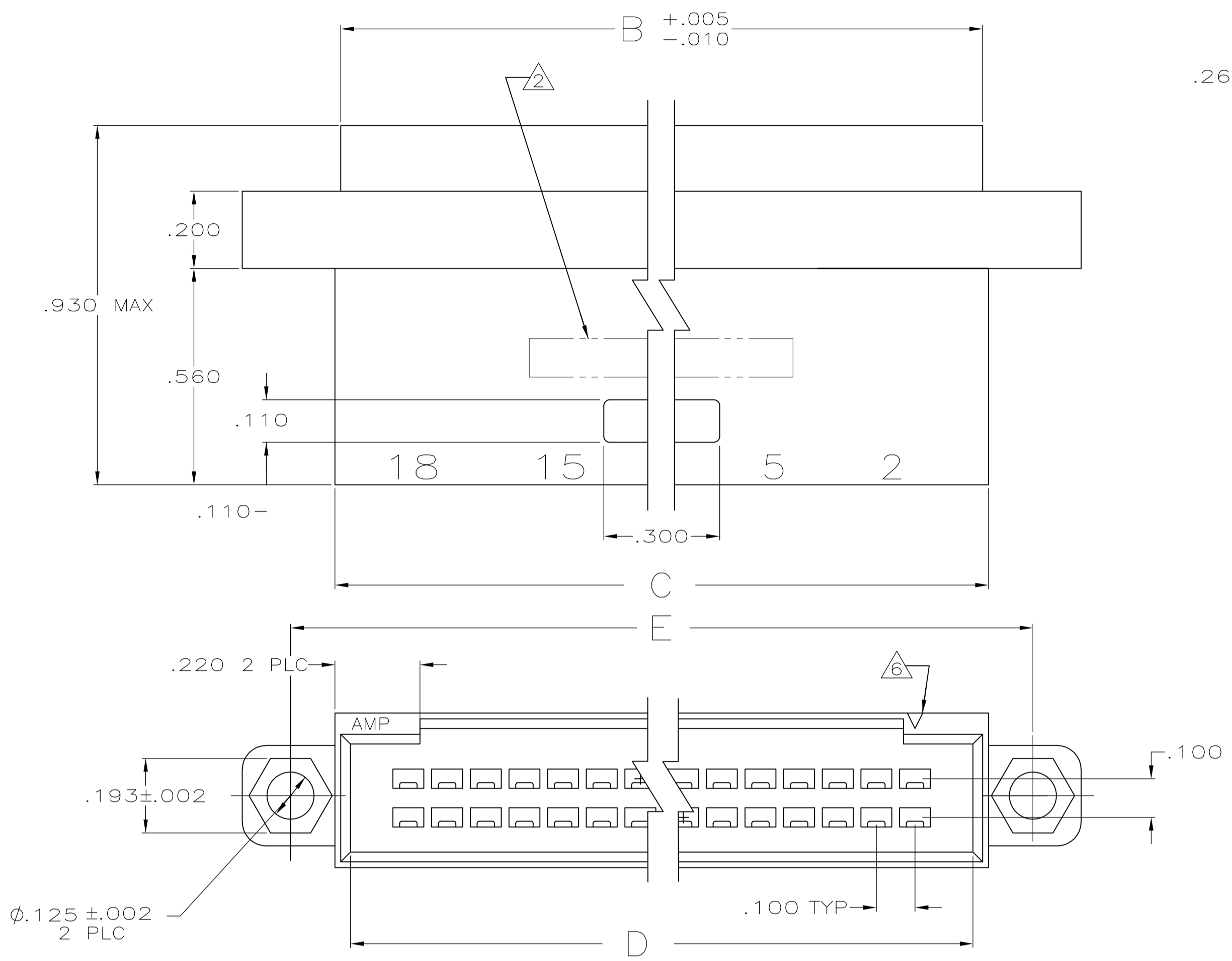
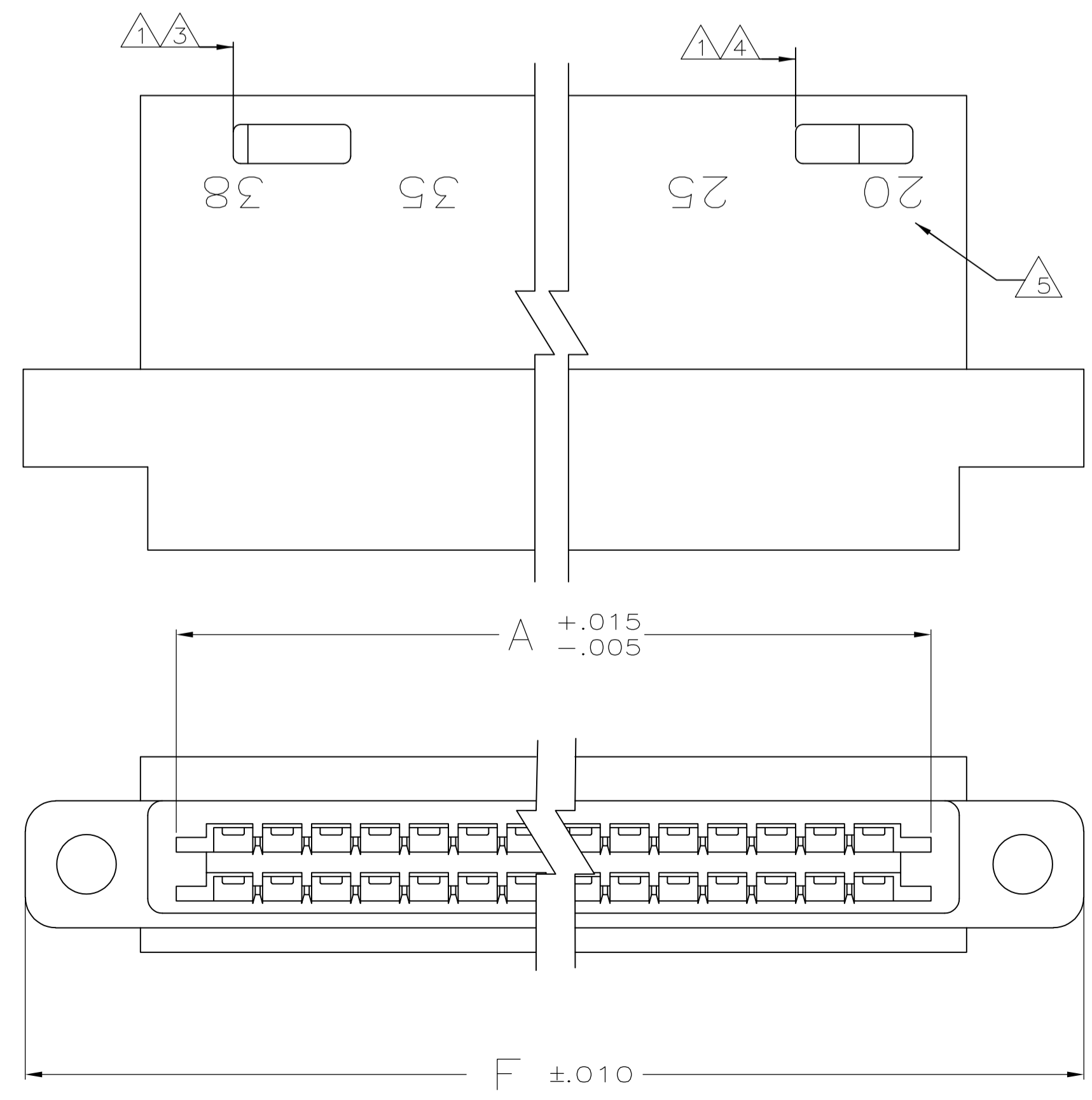


LOC		DIST		REVISIONS			
GP	00	REV	DATE	BY	CHK	APPV	REV
AE		REVISED PER ECO-08-025674	22OCT08	JDP	CWR		
AE1		REVISED PER ECO-09-021826	8JAN10	KK	AE		



- ① DETENT SLOTS 6,10,12,16 & 18 POSN
 ONE SLOT LOCATED AS FOLLOWS:
 6 POSN CENTERLINE OF FIRST CIRCUIT FROM LEFT
 10 AND 12 POSN CENTERLINE OF SECOND CIRCUIT FROM LEFT
 16 POSN CENTERLINE OF THIRD CIRCUIT FROM LEFT
 18 POSN CENTERLINE OF FOURTH CIRCUIT FROM LEFT
 20 POSN AND GREATER TWO DETENT SLOTS LOCATED AS SHOWN
- ② PART NO. AND DATE CODE INK STAMPED, WHITE.
- ③ CENTERLINE OF FIRST CAVITY FROM LEFT
- ④ CENTERLINE OF THIRD CAVITY FROM RIGHT
- ⑤ CAVITY IDENTS INK STAMPED (WHITE). (SEE TABLE)
- ⑥ INDICATES POSITION 1, MAY BE RECESSED OR RAISED.
- ⑦ HOUSING WILL ACCOMMODATE FLEXIBLE FLAT CABLE .050 OR .062 WIDE CONDUCTORS ON .100 CENTERS (CABLE=.015 MAX THK) AND #22-#24 AWG WIRE WITH INSULATION RANGE OF .061 TO .069 DIA
- 8. THIS HOUSING IS DESIGNED TO MATE WITH FFC RECEPTACLE HOUSING AND AMP LATCH RECEPTACLE HOUSING
- ⑨ OBSOLETE PART NUMBER
- ⑩ GLASS-FILLED NYLON, BLACK, UL V-0.
- ⑪ OBSOLETE PARTS: OBSOLETE CIS STREAMLINING PER D.RENAUD/D.SINISI



③ 3-88190-7	2,5,10,16	18,25,30,34	2.460	2.210	1.900	1.980	1.950	1.834	34	⑪ 3-88190-8
③ 3-88190-5	2,5	7,10,12	1.360	1.110	.800	.880	.850	.734	12	⑨ 3-88190-6
③ 3-88190-3	2,5,7	9,16	1.560	1.310	1.000	1.080	1.050	.931	16	3-88190-4
① 3-88190-1	2	4,6	1.060	.810	.500	.580	.550	.434	6	3-88190-2
③ 2-88190-9	2,4	6,10	1.260	1.010	.700	.780	.750	.634	10	3-88190-0
③ 2-88190-7	2,5,10,15,20,25,30,34	36,40,45,50,55,60,65,70	4.260	4.010	3.700	3.780	3.750	3.634	70	⑨ 2-88190-8
③ 2-88190-5	2,5,10,15,20,25,32	34,40,45,50,55,60,66	4.060	3.810	3.500	3.580	3.550	3.434	66	① 2-88190-6
③ 2-88190-3	2,5,10,15,20,25,29	31,35,40,45,50,55,60	3.760	3.510	3.200	3.280	3.250	3.134	60	⑨ 2-88190-4
③ 2-88190-1	2,5,10,15,20,25,28	30,35,40,45,50,55,58	3.660	3.410	3.100	3.180	3.150	3.034	58	⑨ 2-88190-2
③ 1-88190-9	2,5,10,15,21	23,25,30,35,40,44	2.960	2.710	2.400	2.480	2.450	2.334	44	⑨ 2-88190-0
③ 1-88190-7	2,5,10,15,19	21,25,30,35,40	2.760	2.510	2.200	2.280	2.250	2.134	40	1-88190-8
③ 1-88190-5	2,5,10,17	19,25,30,36	2.560	2.310	2.000	2.080	2.050	1.934	36	⑨ 1-88190-6
③ 1-88190-3	2,5,10,13	15,20,25,28	2.160	1.910	1.600	1.680	1.650	1.534	28	① 1-88190-4
① 1-88190-1	2,5,12	14,20,26	2.060	1.810	1.500	1.580	1.550	1.434	26	1-88190-2
③ 88190-9	2,5,11	13,20,24	1.960	1.710	1.400	1.480	1.450	1.334	24	1-88190-0
③ 88190-7	2,5,9	11,15,20	1.760	1.510	1.200	1.280	1.250	1.134	20	88190-8
③ 88190-5	2,5,8	10,15,18	1.660	1.410	1.100	1.180	1.150	1.034	18	88190-6
③ 88190-3	2,5,10,15,20,24	26,30,35,40,45,50	3.260	3.010	2.700	2.780	2.750	2.634	50	① 88190-4
③ 88190-1	2,5,10,15,18	20,25,30,35,38	2.660	2.410	2.100	2.180	2.150	2.034	38	88190-2

INK STAMPED PART NO.	CAVITY POSN NO. STAMPED		F	E	D	C	B	A	NO OF POSN	AS MOLDED PART NO.
	NEAR SIDE	FAR SIDE								

THIS DRAWING IS A CONTROLLED DOCUMENT. DIMENSIONS: INCHES. TOLERANCES UNLESS OTHERWISE SPECIFIED: 0 PLC ± .005, 1 PLC ± .005, 2 PLC ± .005, 3 PLC ± .005, 4 PLC ± .005, ANGLES ± .005. MATERIAL: ⑩. FINISH: -.

THIS DRAWING IS A CONTROLLED DOCUMENT. DIM: J. GALLUCCI 2-20-89, CHK: D L ROCKER 3-2-89, APVD: -.

Tyco Electronics Corporation, Harrisburg, PA 17105-3608

PRODUCT SPEC: HOUSING, PIN, DBL ROW, W/DETENT SLOTS, MTG EARS, .100 C/L

APPLICATION SPEC: -

SIZE: A1, CASE CODE: 00779, DRAWING NO: 88190, WEIGHT: -

CUSTOMER DRAWING, SCALE: 4:1, SHEET: 1 OF 1, REV: AE1

单击下面可查看定价，库存，交付和生命周期等信息

[>>TE Connectivity\(泰科\)](#)