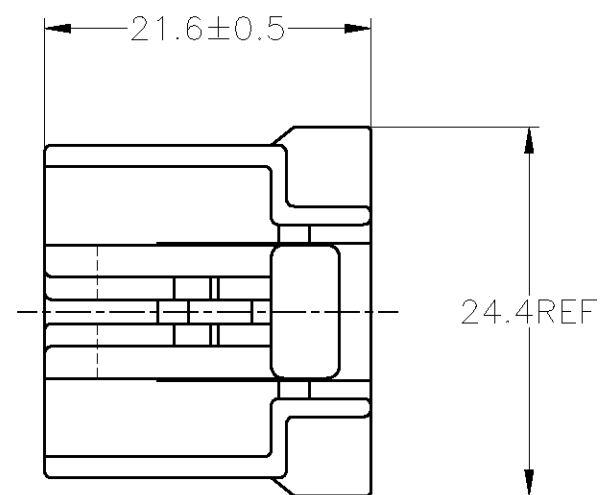
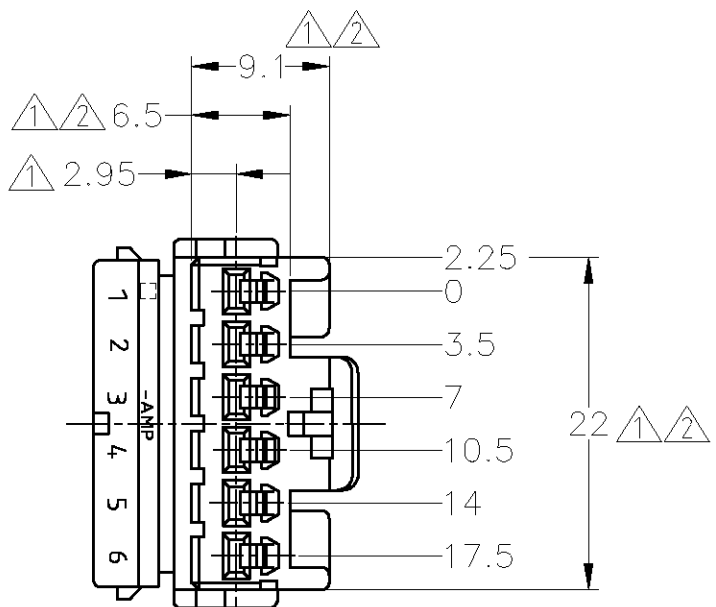


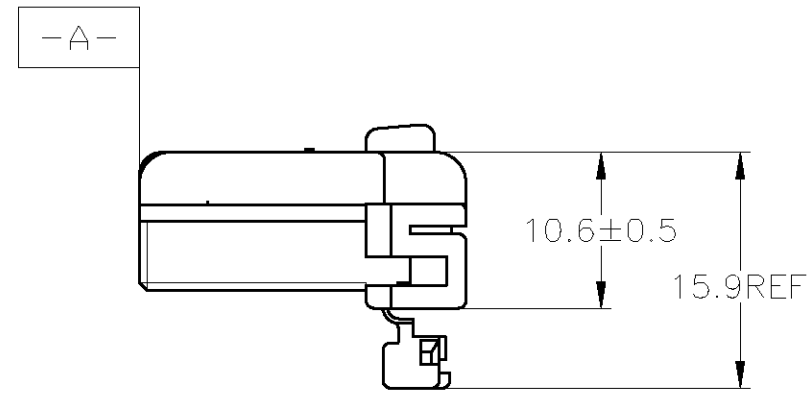
THIS DRAWING IS UNPUBLISHED. RELEASED FOR PUBLICATION  
 © COPYRIGHT - By - ALL RIGHTS RESERVED.

LOC	DIST	REVISIONS					
J	-	P	LTR	DESCRIPTION	DATE	DWN	APVD
		E2		REDRAWN W/CHANGE	ECR-12-021403	13DEC2012	TS KB



- △ MUST BE KEPT BETWEEN [-A-] AND 2
- △ TO BE MATED WITH THE CAP HOUSING SMOOTHLY
- 3. APPLIED RECEPTACLE CONTACT PART NUMBER; 173630 AND 173631
- 4. APPLIED CAP HOUSING; 174930, etc.

- △ [-A-] 面より2mmの範囲で測定
- △ 相手ハウジングと所定の機能を満足して嵌合できること
- 3. 内装するリセプタクルコンタクト型番173630 及び 173631
- 4. 嵌合相手ハウジング型番; 174930 他



V-2	自然色 (NATURAL)	1-174923-1
HB	黄 (YELLOW)	174923-7
	灰 (GRAY)	174923-6
	青 (BLUE)	174923-5
	緑 (GREEN)	174923-4
	黒 (BLACK)	174923-2
	自然色 (NATURAL)	174923-1
使用材料難燃グレード (FLAMMABILITY OF MATERIAL)		色 (COLOR) 型番 (PART NUMBER)

THIS DRAWING IS A CONTROLLED DOCUMENT.

DIMENSIONS: 単位: 耗 mm	TOLERANCES UNLESS OTHERWISE SPECIFIED: 一般公差
	0 PLC ± - 1 PLC ± - 2 PLC ± - 3 PLC ± - 4 PLC ± - ANGLES ± -

TOLERANCES UNLESS OTHERWISE SPECIFIED: 一般公差	
10 <sub>±</sub>	: ±0.2
30 <sub>±</sub>	> 10 : ±0.25
100 <sub>±</sub>	> 30 : ±0.3
ANGLE : ±3°	

MATERIAL 材料	FINISH 仕上
PBT	-

DWN T.SHINOHARA 13DEC2012	<b>STE</b> TE Connectivity		
CHK K.BETSUI 13DEC2012			
APVD K.BUTSUI 13DEC2012	NAME 名称		
PRODUCT SPEC 製品規格 108-5264	070 SERIES MULTI-LOCK CONNECTOR 6POSITION PLUG HOUSING		
APPLICATION SPEC 取付適用規格	SIZE A3	CAGE CODE 00779	DRAWING NO 番号 C-174923
WEIGHT -	RESTRICTED TO -		SCALE 尺度 2:1
CUSTOMER DRAWING		SHEET 1 OF 1	REV E2

单击下面可查看定价，库存，交付和生命周期等信息

[>>TE Connectivity\(泰科\)](#)