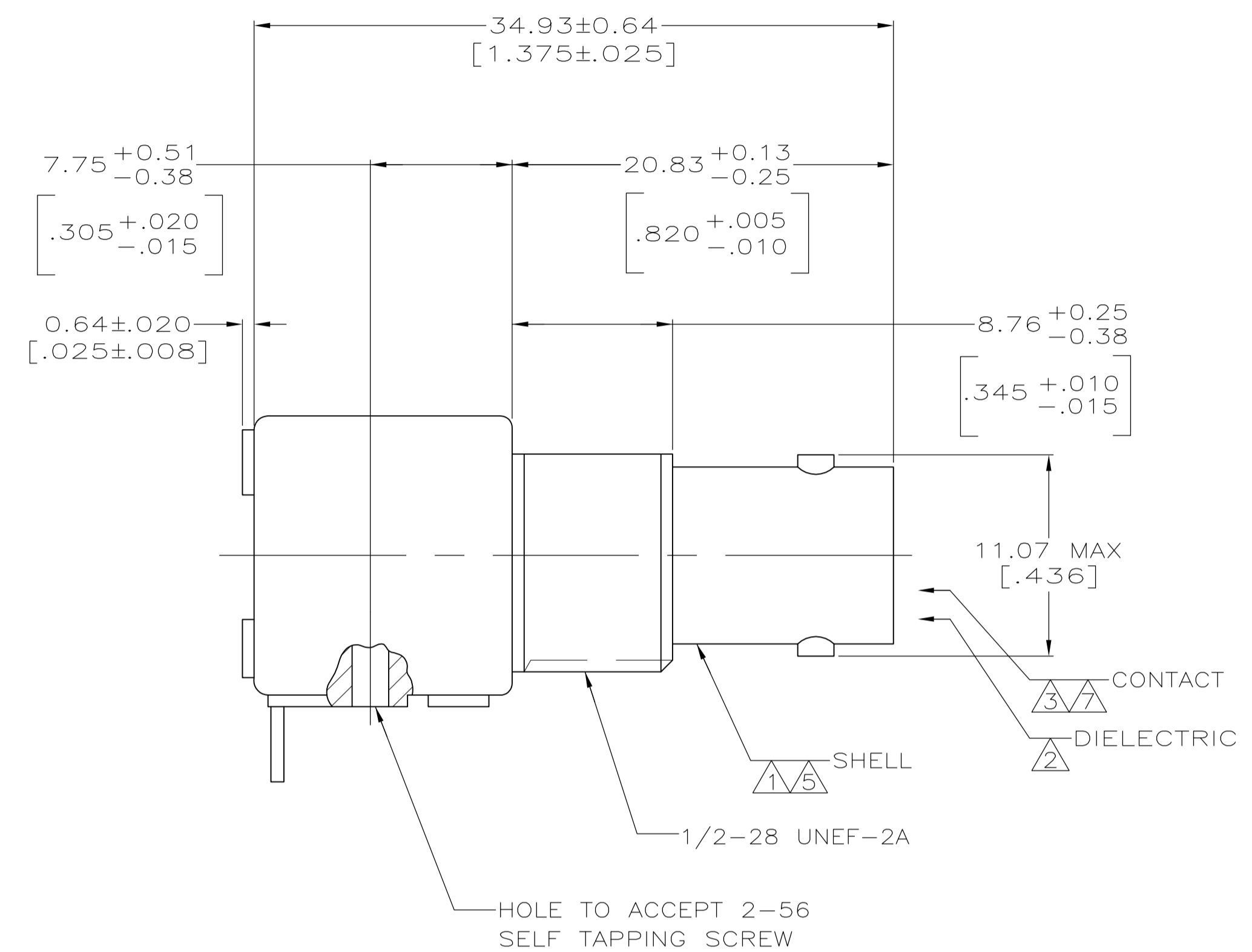
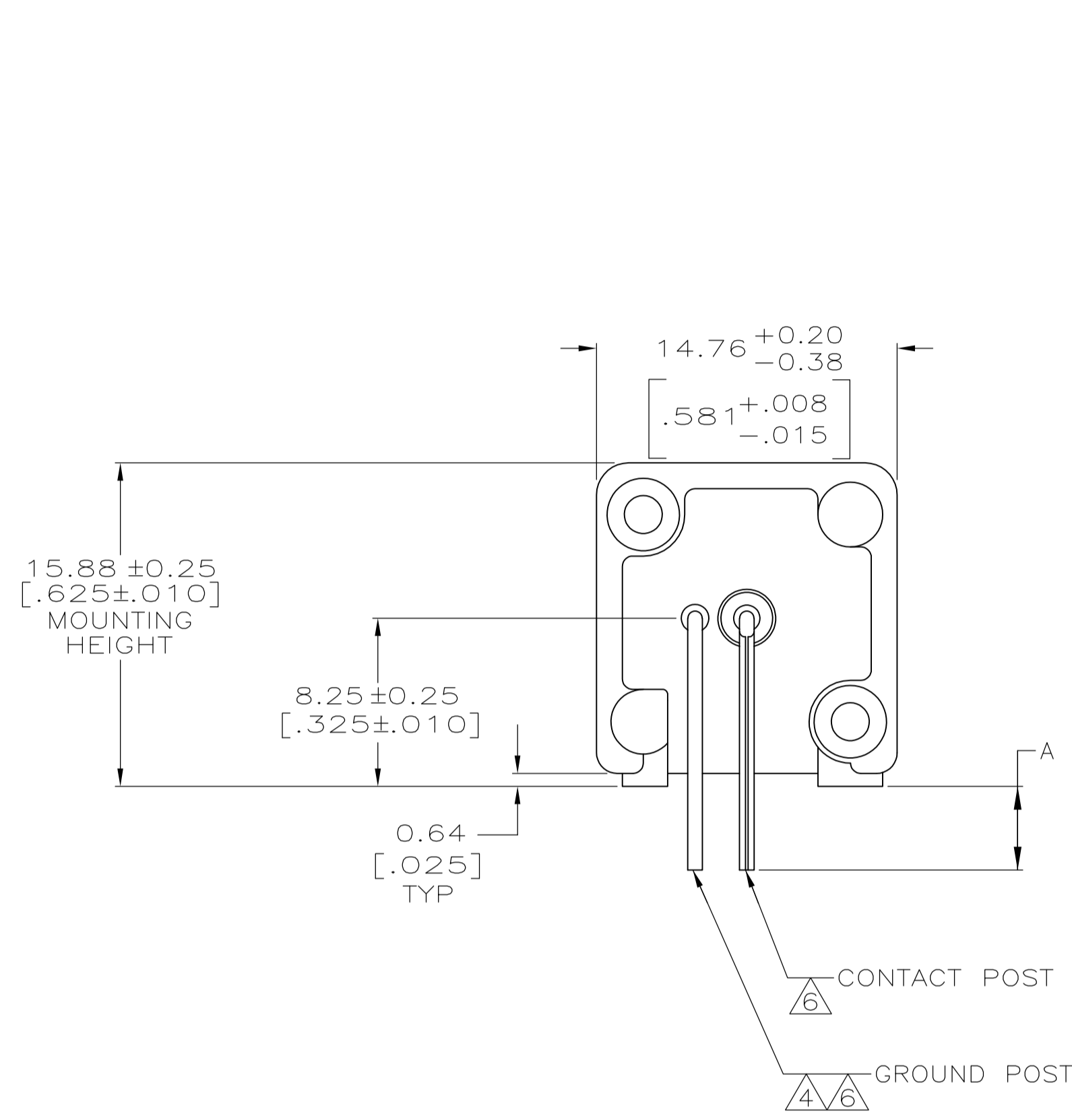
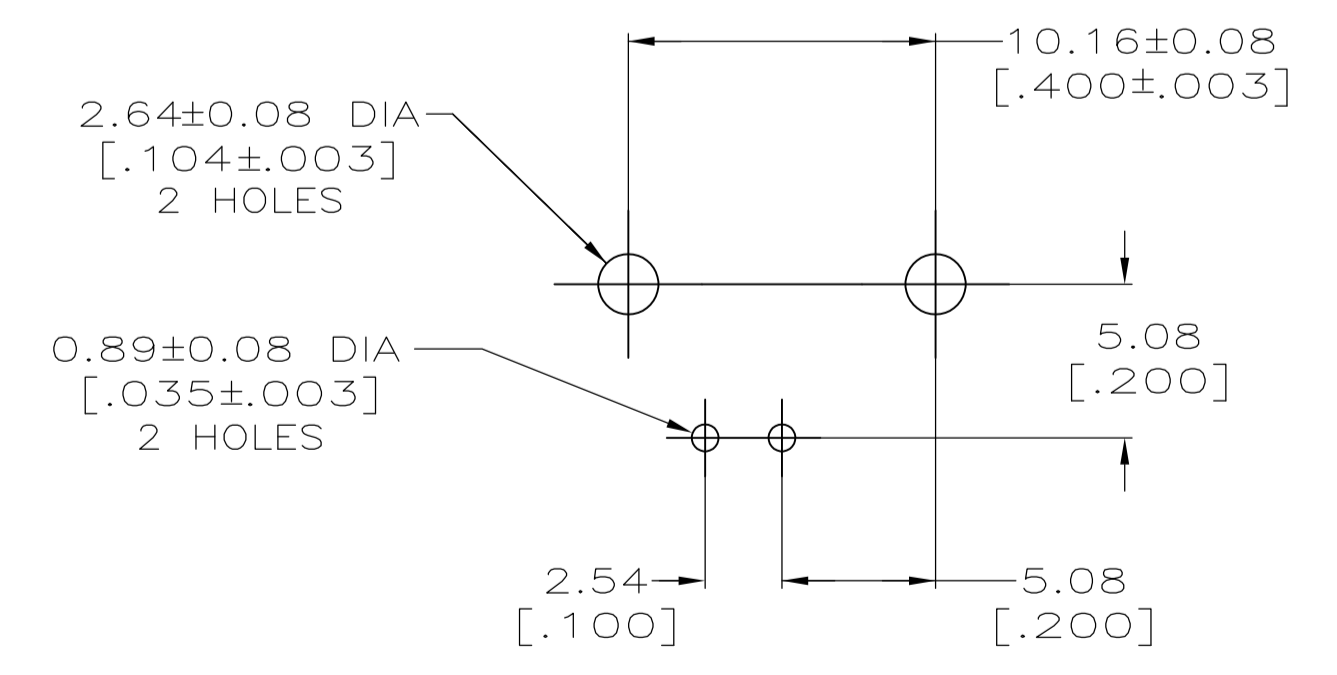
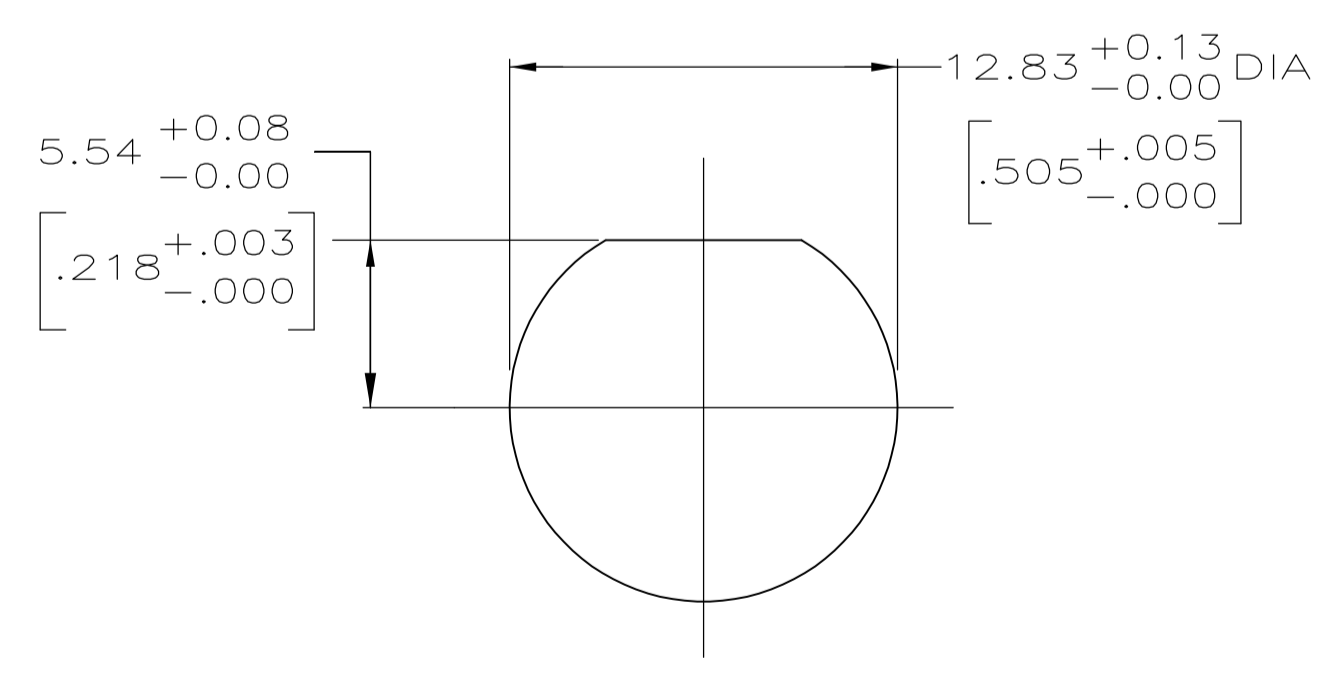


LOC		DIST		REVISIONS			
P	LTR	DESCRIPTION	DATE	DMN	APVD		
A		REVISED PER EC OS14-0150-05	30AUG05	BM	JL		
A1		REVISED PER ECO-10-000444	31OCT09	KK	AEG		



- 1 ZINC PER QQ-Z-363.
- 2 POLYMETHYLPENTENE, GENERAL PURPOSE.
- 3 PHOSPHOR BRONZE PER QQ-B-750.
- 4 BRASS PER ASTM-B-453.
- 5 NICKEL PLATE PER QQ-N-290, 3.81µm [.000150] MINIMUM THICK.
- 6 TIN PLATE PER ASTM-B-545, 3.81µm [.000150] MINIMUM THICK.
- 7 GOLD PLATE PER ASTM-B-488, 0.76µm [.000030] MINIMUM THICK.
- 8. SEE INSTRUCTION SHEET 408-2769.
- 9 OBSOLETE PARTS: OBSOLETE CIS STREAMLINING PER D.RENAUD/D.SINISI



OBSOLETE	2.79 ±0.25 [.110 ±.010]	5227676-2
	4.11 ±0.43 [.162 ±.017]	5227676-1
A		PART NUMBER

THIS DRAWING IS A CONTROLLED DOCUMENT.		DIN L VARELA - DOCK 20APR2005		Tyco Electronics Corporation Harrisburg, Pa 17105-3608	
DIMENSIONS: mm [INCHES]		TOLERANCES UNLESS OTHERWISE SPECIFIED:		APVD J LIPPERT 20APR2005	
0 PLC ± -		1 PLC ± -		NAME JACK, RIGHT ANGLE, PCB	
2 PLC ± 0.05 [.002]		3 PLC ± -		PRODUCT SPEC 108-12078	
4 PLC ± -		ANGLES ± -		APPLICATION SPEC	
MATERIAL		FINISH		SIZE CAGE CODE DRAWING NO	
1 2 3 4		5 6 7		A1 00779 C=5227676	
CUSTOMER DRAWING		SCALE 4:1		SHEET 1 OF 1 REV A1	

单击下面可查看定价，库存，交付和生命周期等信息

[>>TE Connectivity\(泰科\)](#)