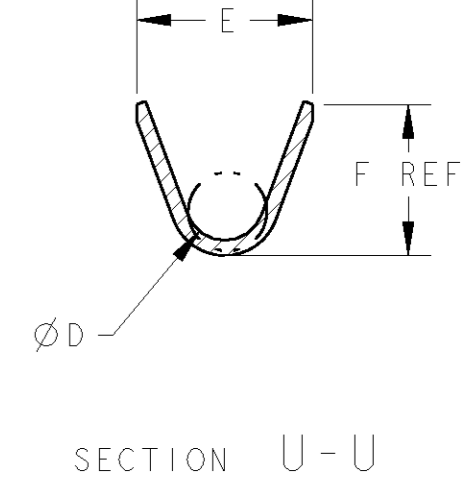
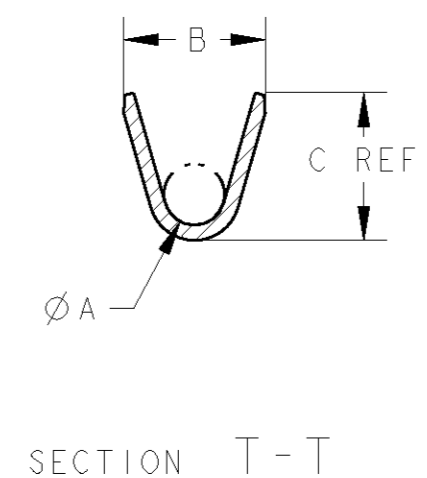
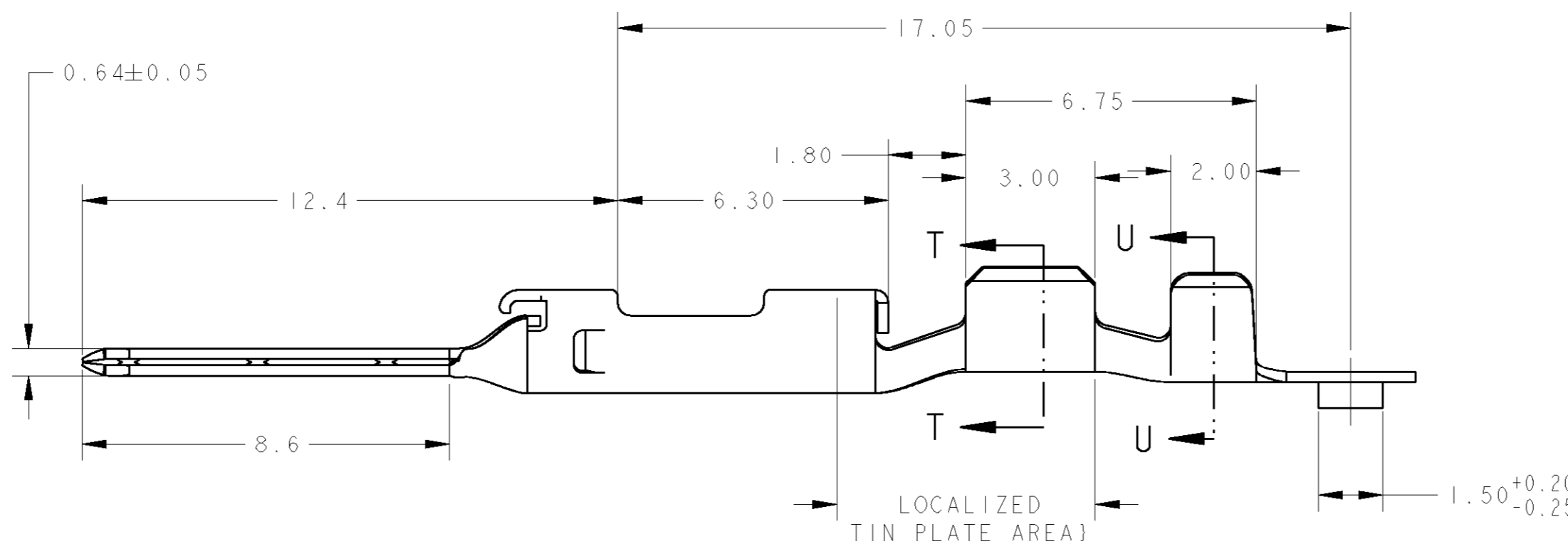
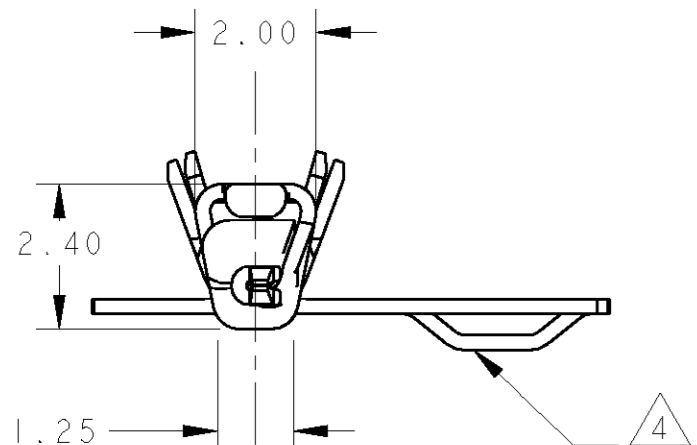
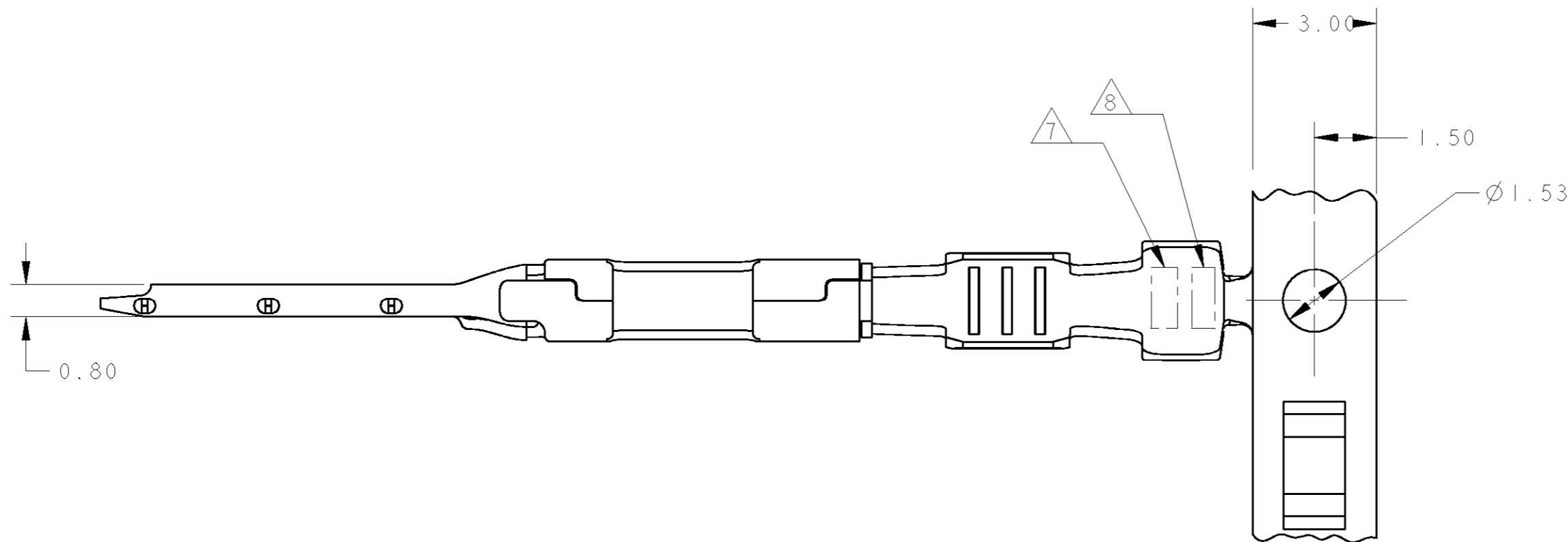


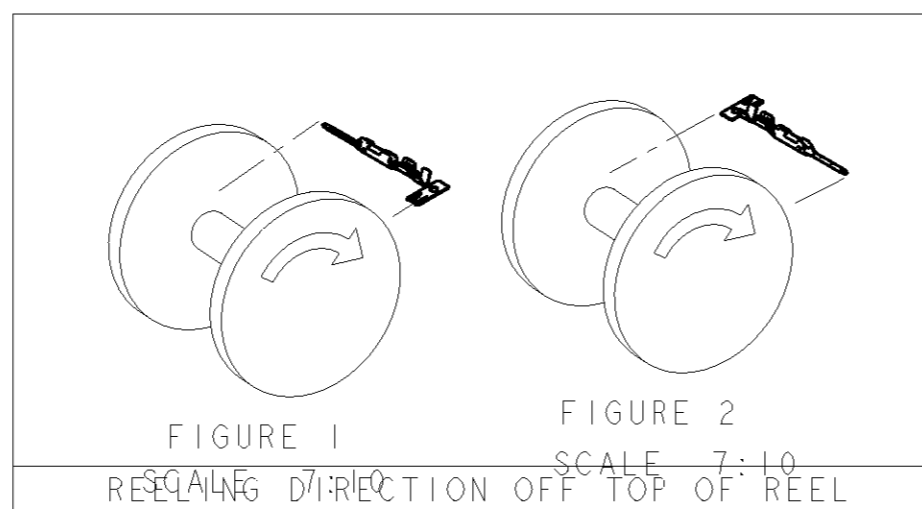
THIS DRAWING IS UNPUBLISHED. RELEASED FOR PUBLICATION 20
 © COPYRIGHT 20 BY TYCO ELECTRONICS CORPORATION. ALL RIGHTS RESERVED.

LOC	DIST	REVISIONS					
FX	00	P	LTR	DESCRIPTION	DATE	DWN	APVD
		0		EC 0K80-0283-01	2660CT01	FK	AE
		01		EC 0K80-0244-03, 0K80-0288-03	21AUG2003	AH	AE



- 1 MATERIAL: 0.25 THK BRASS
- 2 FINISH: 0.0008 MIN THK MATTE TIN OVER 0.002 MIN NICKEL.
- 3 TERMINAL LUBRICATED WITH ANTI-FRETTING LUBRICANT: MSDS 125-6344.
- 4 FEATURE ON CARRIER STRIP IS RECESSED TO INDICATE TIN PLATED PRODUCT FEATURE APPEARS ADJACENT TO EVERY OTHER CONTACT MIN.
- 5 SEE FIGURE 1 FOR REELING DIRECTION.
- 6 SEE FIGURE 2 FOR REELING DIRECTION.
- 7 AMP TRADEMARK STAMPED IN THIS APPROXIMATE LOCATION. OPPOSITE SIDE.
- 8 WEEK CODE (YWW) STAMPED IN THIS APPROXIMATE LOCATION. OPPOSITE SIDE.

1.80	2.40	1.30	1.90	1.90	0.80	6	22	1488220-4
2.50	2.90	1.30	2.40	2.30	1.00		18-20	1488220-3
1.80	2.40	1.30	1.90	1.90	0.80	5	22	1488220-2
2.50	2.90	1.30	2.40	2.30	1.00		18-20	1488220-1
DIM F	DIM E	DIM D	DIM C	DIM B	DIM A	REELING	WIRE SIZE	PART NUMBER



THIS DRAWING IS A CONTROLLED DOCUMENT FOR TYCO ELECTRONICS CORPORATION. IT IS SUBJECT TO CHANGE AND THE CONTROLLING ENGINEERING ORGANIZATION SHOULD BE CONTACTED FOR THE LATEST REVISION.

DIMENSIONS: mm	TOLERANCES UNLESS OTHERWISE SPECIFIED:	DWN: E. KINSEY 260CT01	Tyco Electronics Harrisburg, PA 17105-3608
0 PLC ±.3	1 PLC ±.3	CHK: A. EBRAHEEM 260CT01	
2 PLC ±0.2	2 PLC ±0.2	APVD: J. MYER 260CT01	NAME: CONTACT, MALE, 0.64MM TIN PLATED
3 PLC ±.	3 PLC ±.	PRODUCT SPEC: -	APPLICATION SPEC: 114-13006
4 PLC ±.	4 PLC ±.	WEIGHT: -	SIZE: A2 CAGE CODE: 00779 DRAWING NO: 1488220
ANGLES ±°	FINISH: -	CUSTOMER DRAWING	RESTRICTED TO: -

SCALE 8:1 SHEET 1 OF 1 REV 01

单击下面可查看定价，库存，交付和生命周期等信息

[>>TE Connectivity\(泰科\)](#)