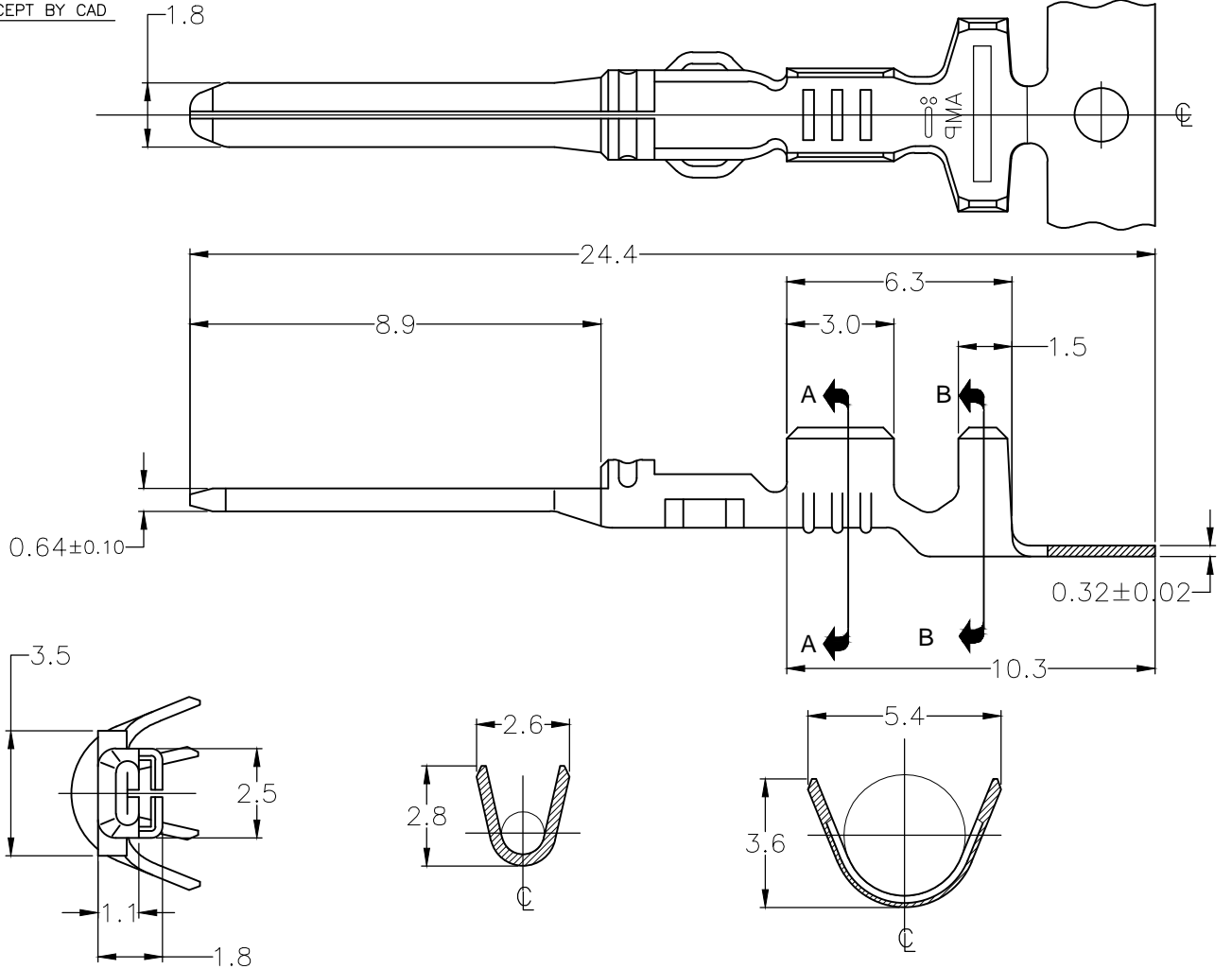


DO NOT SCALE

REVISIONS

P	LTR	DESCRIPTION	DATE	DWN	APVD
	B1	REVISED BY ECO-18-015989	15JUL2019	PSB	DAO

CAD
AutoCAD
DO NOT REVISE EXCEPT BY CAD



CORTE A-A
SECTION A-A

CORTE B-B
SECTION B-B

0,5-1,0mm²
WIRE RANGE

∅1,4-2,4mm
INSULATION RANGE

PRÉ-ESTANHADO
PRE TIN

BRONZE

881593-2

PRÉ-ESTANHADO
PRE TIN

LATÃO
BRASS

881593-1

RAW MAT'L NO

FINISH

MATERIAL

PART NUMBER

DIMENSIONS:

mm

DWN H.LIVERARO 25JAN01

MATERIAL VER TABELA/SEE TABLE

FINISH

-

CHK N.C.LAPRESA 25JAN01

APVD L.G.DALTO 25JAN01

PRODUCT SPEC

-

APPLICATION SPEC

114-37021

WEIGHT ---/---

NAME

TERMINAL, 1.8 ECONOSEAL
"J" SERIES MARK II+ TAB

SIZE

CAGE CODE

DRAWING NO

RESTRICTED TO

A4

00779

881593

-

CUSTOMER DRAWING

SCALE

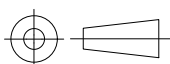
5:1

SHEET

1 OF 1

REV

B1



RELEASED FOR PUBLICATION

ALL RIGHTS RESERVED.

TE Connectivity Ltd.

COPYRIGHT

©

THIS DRAWING IS UNPUBLISHED.

单击下面可查看定价，库存，交付和生命周期等信息

[>>TE Connectivity\(泰科\)](#)