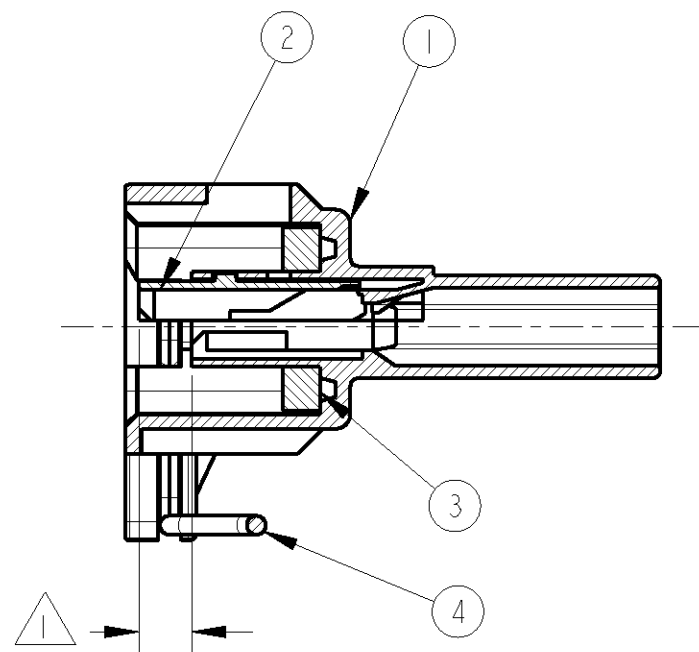
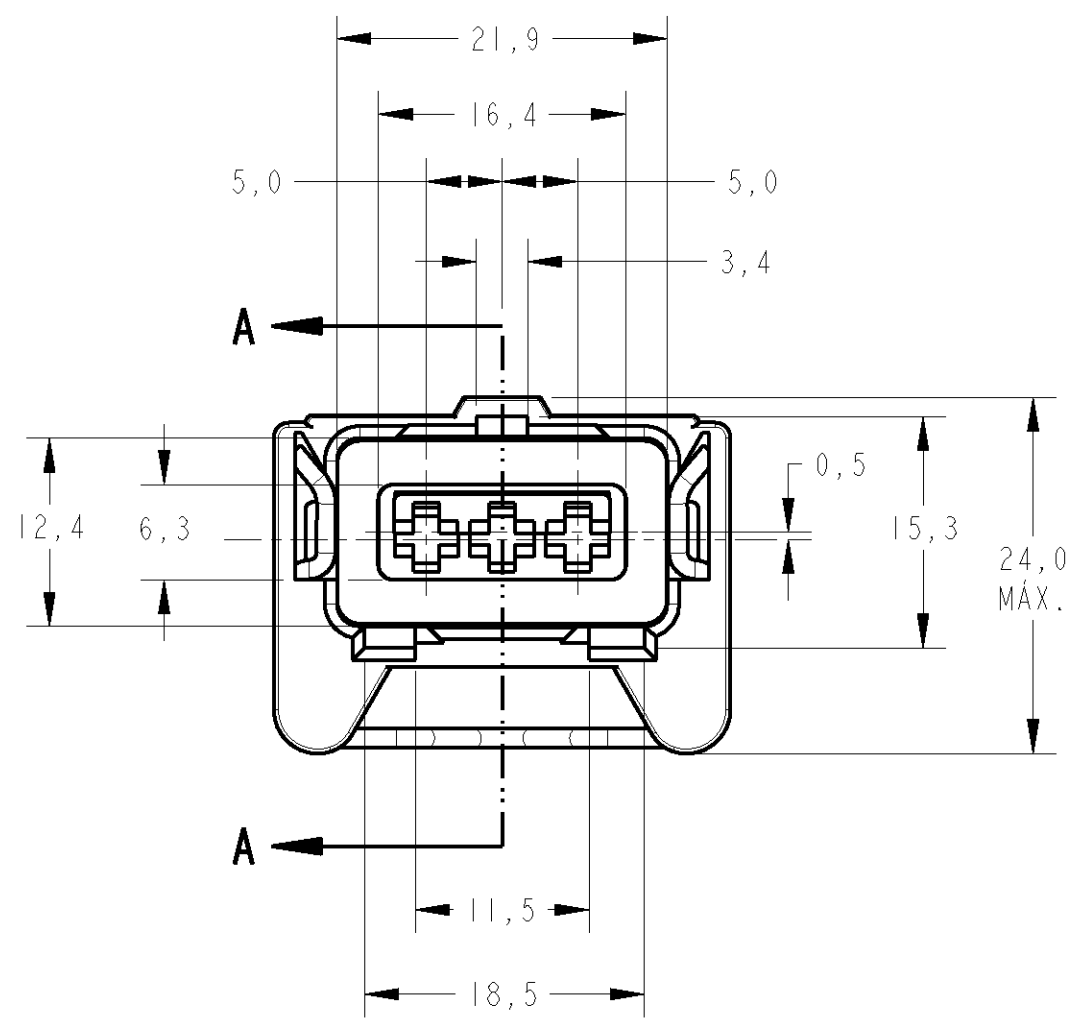


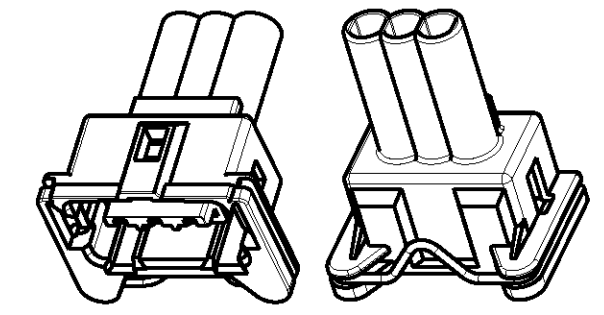
THIS DRAWING IS UNPUBLISHED. RELEASED FOR PUBLICATION 20
 © COPYRIGHT 20 BY TYCO ELECTRONICS CORPORATION. ALL RIGHTS RESERVED.

LOC	DIST	REVISIONS				
P	LTR	DESCRIPTION	DATE	DWN	APVD	
AP	-	C	REDRAWN WITH CHANGES BY ECLB00-0159/01	25SEP2001	HL	PLF
		C1	REVISED BY ECO 07-024293	19OCT2007	EGS	PLF
		C2	REVISED DRAWING ECO-09-022571	07OCT2009	NCL	SHA



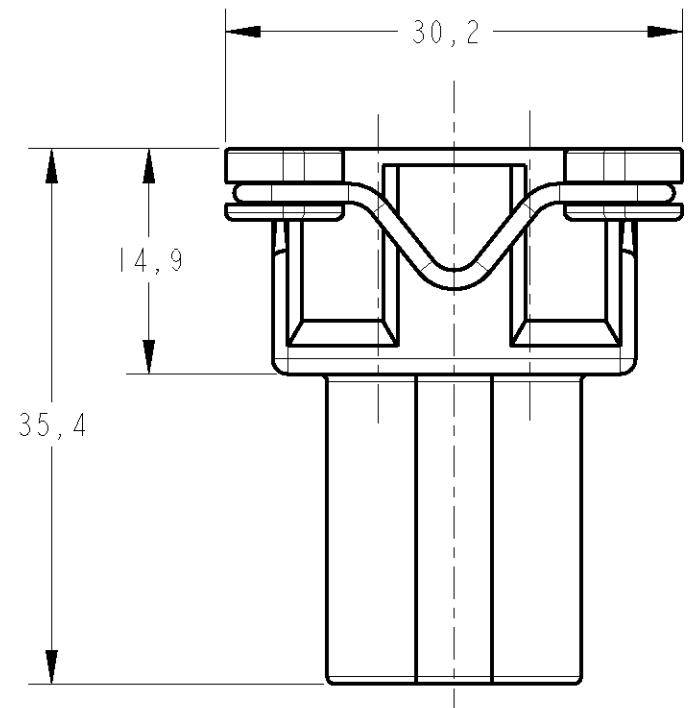
SECTION A-A

GRAVAÇÃO MARKING
LOGOTIPO TE TE LOGO
CÓDIGO PAÍS PRODUTOR MANUFACTURER COUNTRY CODE
NÚMERO COMPONENTE TE TE COMPONENT NUMBER
NÚMERO CAVIDADE CAVITY NUMBER
IDENTIFICAÇÃO CIRCUITO CIRCUIT IDENTIFICATION
LOGOTIPO AUTOLATINA AUTOLATINA LOGO
NÚMERO PEÇA CLIENTE CUSTOMER PART NUMBER
PAÍS PRODUTOR MANUFACTURER COUNTRY



PERSPECTIVA ESCALA 1:1 PERSPECTIVE VIEW SCALE 1:1

- ⚠ - OS ÍTENS 1 E 2 DEVERÃO RESPEITAR A POSIÇÃO DE DE PRÉ-MONTAGEM, COMO SERÃO FORNECIDOS; ITENS 1 AND 2 MUST RESPECT THE PRE ASSEMBLY POSITION AS IT IS SUPPLIED;
- 2 - CAVIDADES PARA TERMINAIS JR. POWER TIMER COM "WIRE SEAL" CAVITIES FOR JR, POWER TIMER TERMINALS WITH WIRE SEAL.



REQ. PER ASSY	ITEM	DESCRIPTION	MATERIAL	FINISH
	4	SPRING	ARAME / WIRE DIN 2076 Ø1.25	—
	3	RUBBER SEAL	SILICONE	LARANJA / ORANGE
	2	SPACER, 3 POSN., JR. POWER TIMER	PBT	AMARELO / YELLOW
	1	HOUSING, 9 POSN., JR. POWER TIMER	PBT + 30%GF	PRETO / BLACK
881742	-2 -1			

<small>THIS DRAWING IS A CONTROLLED DOCUMENT FOR TYCO ELECTRONICS CORPORATION IT IS SUBJECT TO CHANGE AND THE CONTROLLING ENGINEERING ORGANIZATION SHOULD BE CONTACTED FOR THE LATEST REVISION.</small>		DWN H. LIVERARO 25SEP2001 CHK P. L. FARIA 25SEP2001 APVD J. A. MARSON 25SEP2001	Tyco Electronics Brasil Ltda. São Paulo, Brasil
DIMENSIONS: mm 	TOLERANCES UNLESS OTHERWISE SPECIFIED: 0 PLC ±- 1 PLC ±0.3 2 PLC ±- 3 PLC ±- 4 PLC ±- ANGLES ±°	PRODUCT SPEC 108-37025 APPLICATION SPEC - WEIGHT -	NAME HSG. ASSY., 3 POSN., JR. POWER TIMER SIZE A3 CAGE CODE 00779 DRAWING NO C-881742 RESTRICTED TO -
MATERIAL SEE TABLE	FINISH SEE TABLE	CUSTOMER DRAWING	SCALE 2:1 SHEET 1 OF 1 REV C2

单击下面可查看定价，库存，交付和生命周期等信息

[>>TE Connectivity\(泰科\)](#)