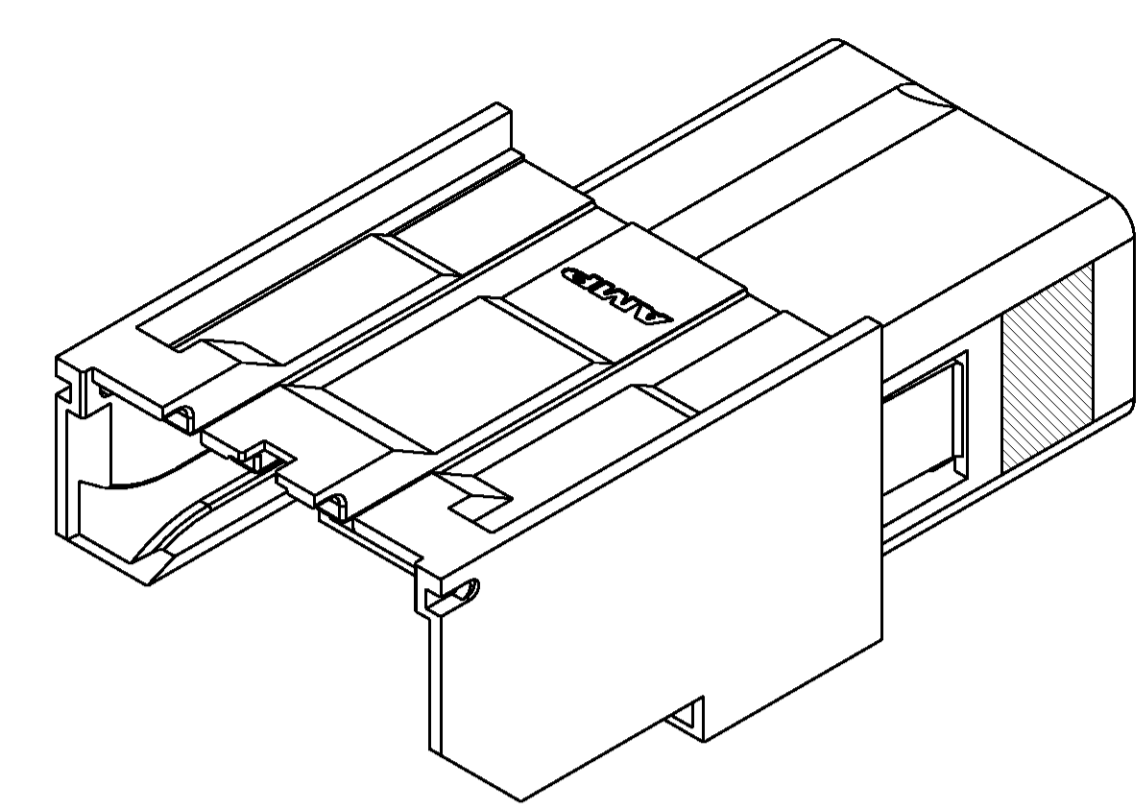
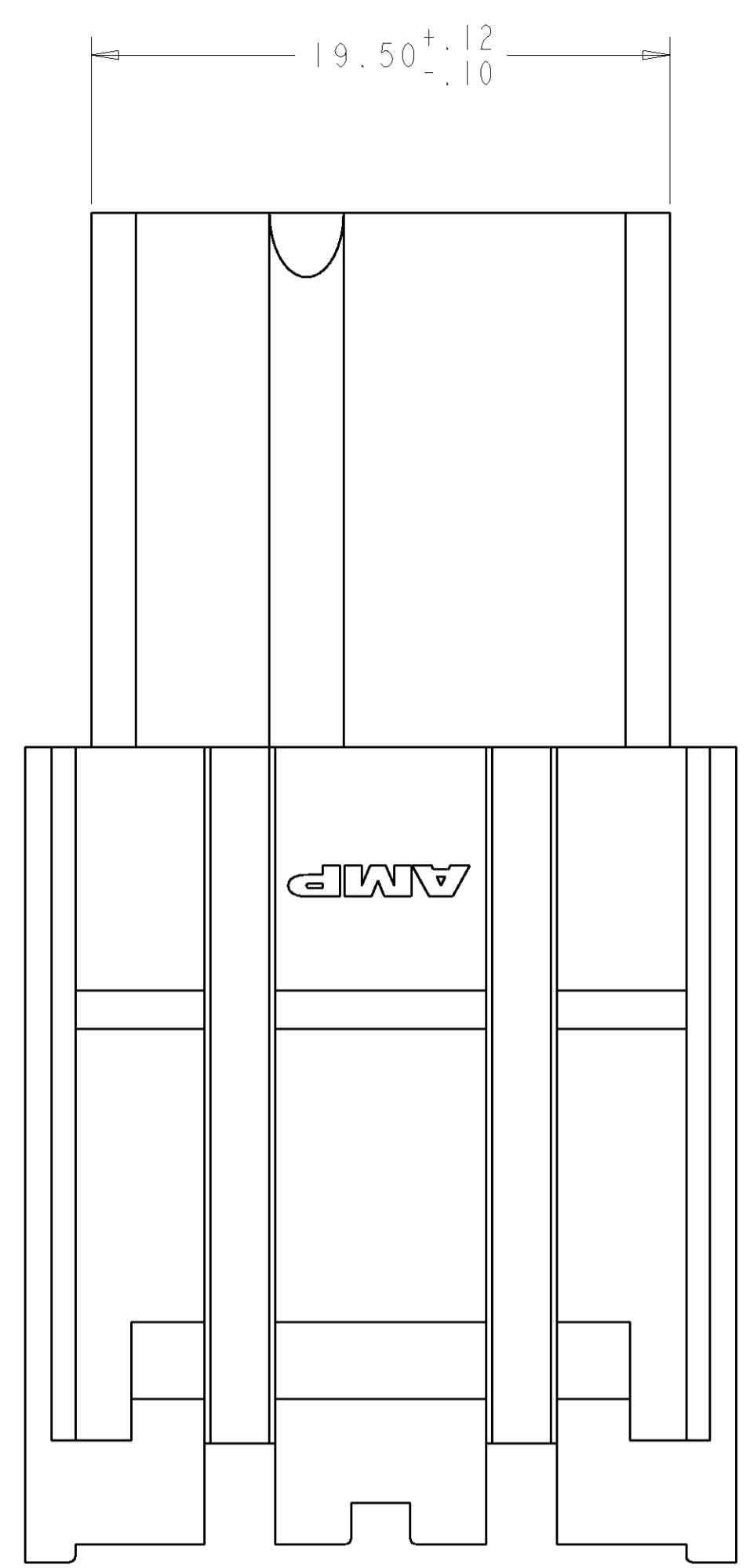
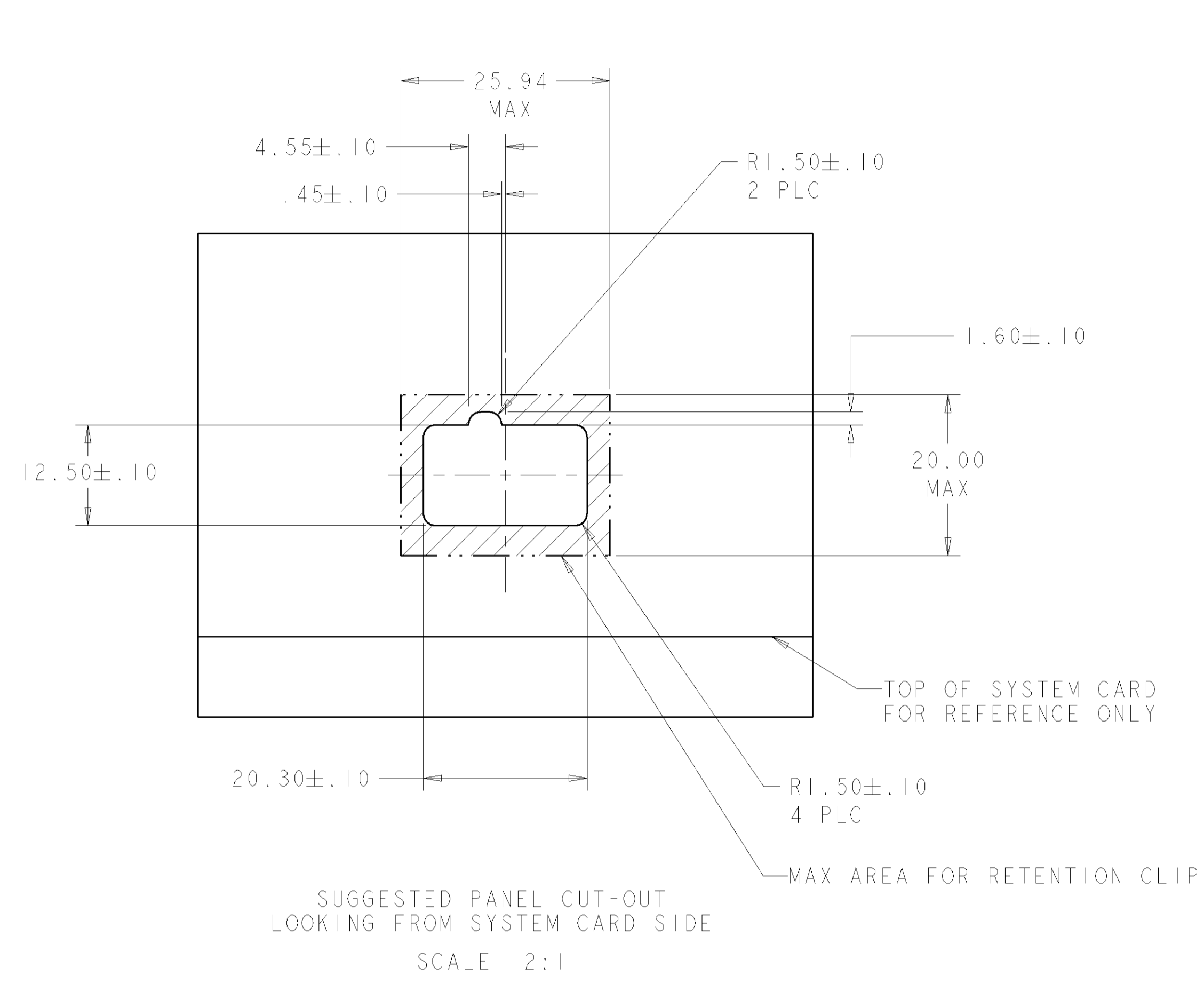
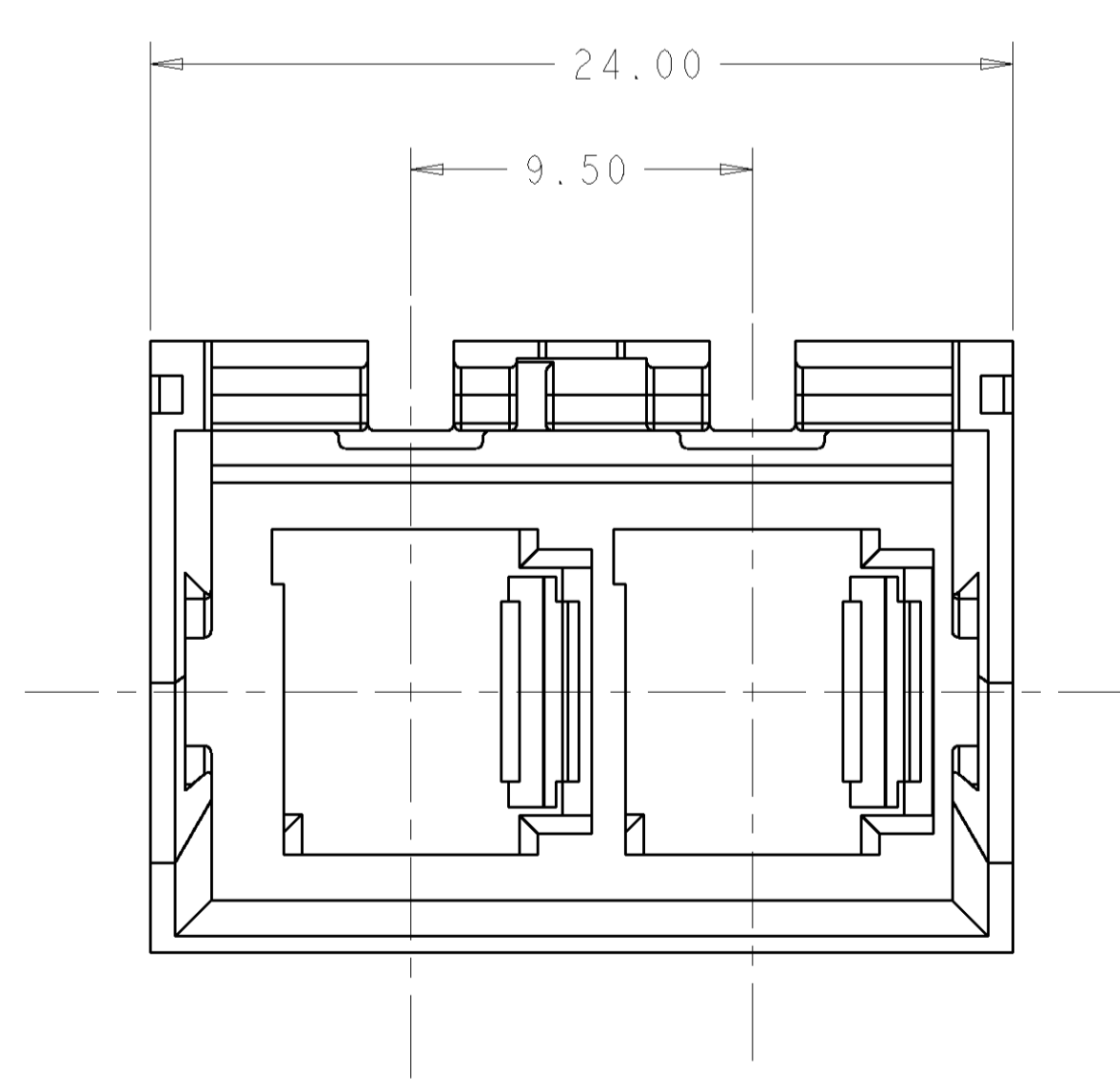
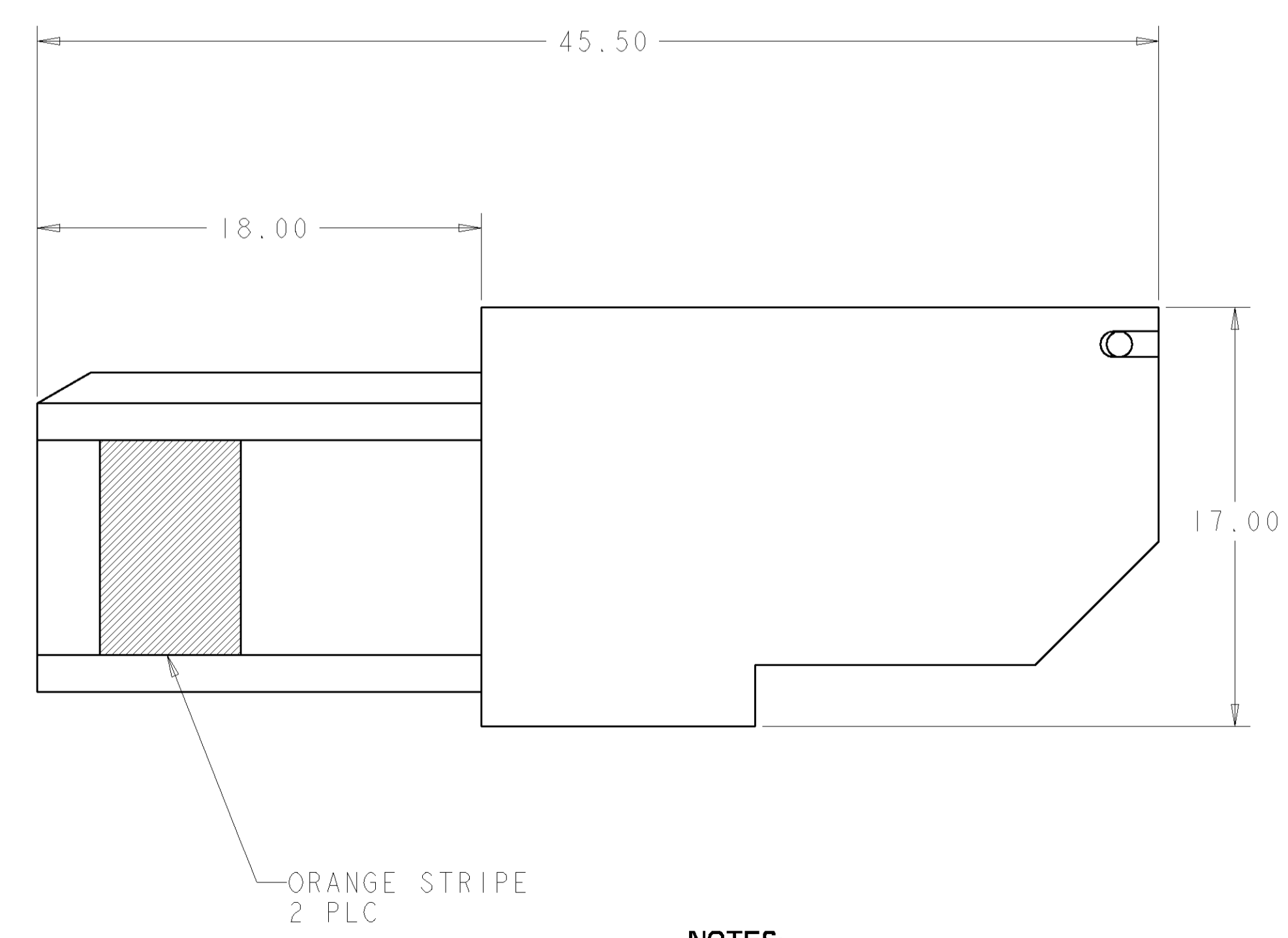
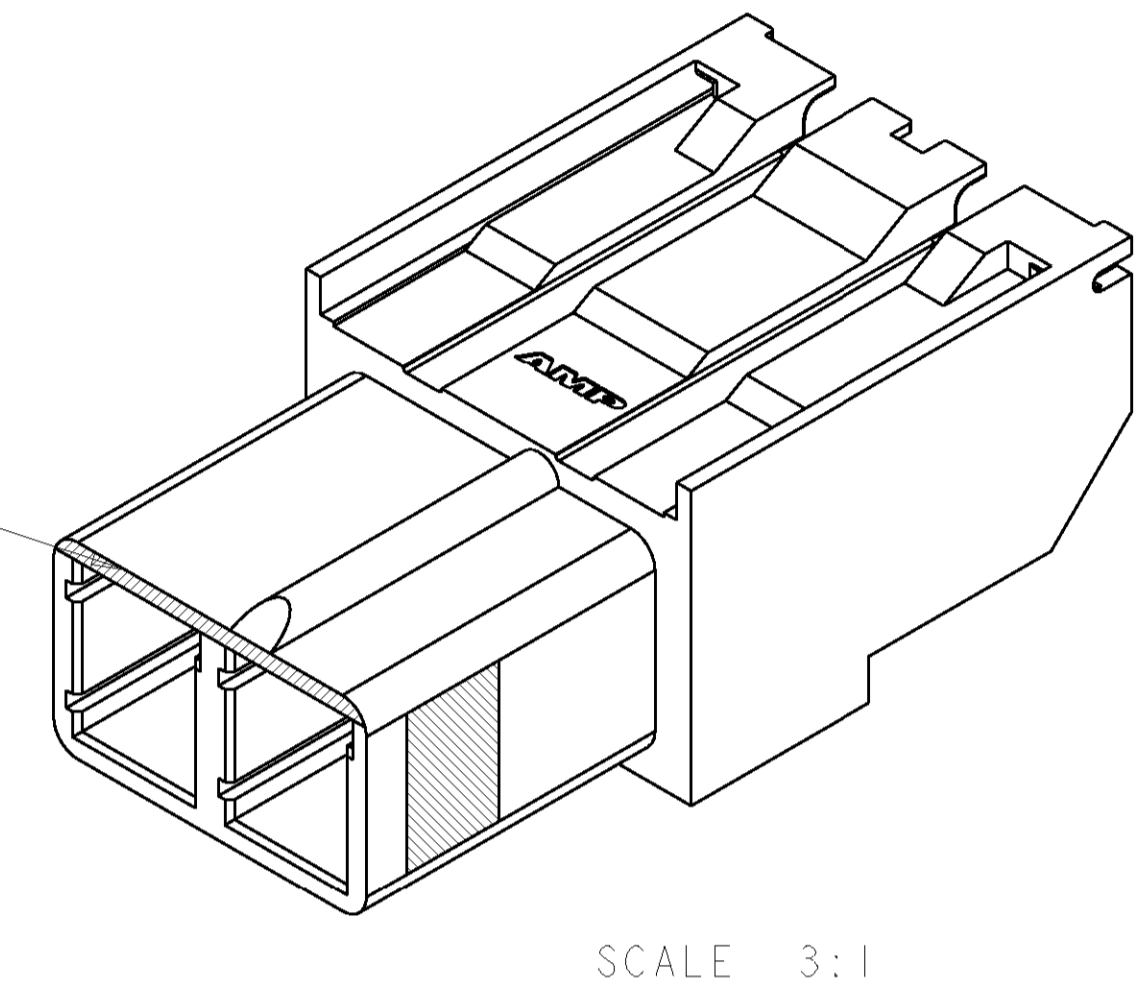


LOC	DIST	REV	DESCRIPTION	DATE	DWN	APVD
CE	17	D	REVISED PER EC 0A00-0966-01	09DEC01	EB	AP



WHITE STRIPE FOR CONNECTOR ORIENTATION



- NOTES:**
- MATERIAL: PBT, 30% GLASS FILLED.
 - HOUSING DESIGNED TO BE INSTALLED WITH RETENTION CLIP P/N 1278530-2, USING SEATING TOOL, P/N 1278945-4 AND MOTHERBOARD SUPPORT, P/N 1278944-3. REFER TO INSTRUCTION SHEET 408-8332.

1374490-1
 PART NUMBER

<small>THIS DRAWING IS UNPUBLISHED. RELEASED FOR PUBLICATION BY TICO ELECTRONICS CORPORATION. ALL RIGHTS RESERVED.</small>		DWN E HALEY IJAN01 CHK L BARKUS IJAN01 APVD L BARKUS IJAN01	Tyco Electronics Harrisburg, PA 17105-3608
DIMENSIONS: mm 		TOLERANCES UNLESS OTHERWISE SPECIFIED: 0 PLC ± .5 1 PLC ±0.10 2 PLC ±0.10 3 PLC ±0.001 4 PLC ±0.001 ANGLES ±	NAME HOUSING, BACKPLANE, 1 X 2 VERTICAL, LIGHTRAY MPX PRODUCT SPEC APPLICATION SPEC WEIGHT CUSTOMER DRAWING
MATERIAL: - FINISH: -		SIZE: A CAGE CODE: 00779 DRAWING NO: 1374490 SCALE: 5:1 SHEET: 1 OF 1 REV: D	RESTRICTED TO: -

单击下面可查看定价，库存，交付和生命周期等信息

[>>TE Connectivity\(泰科\)](#)