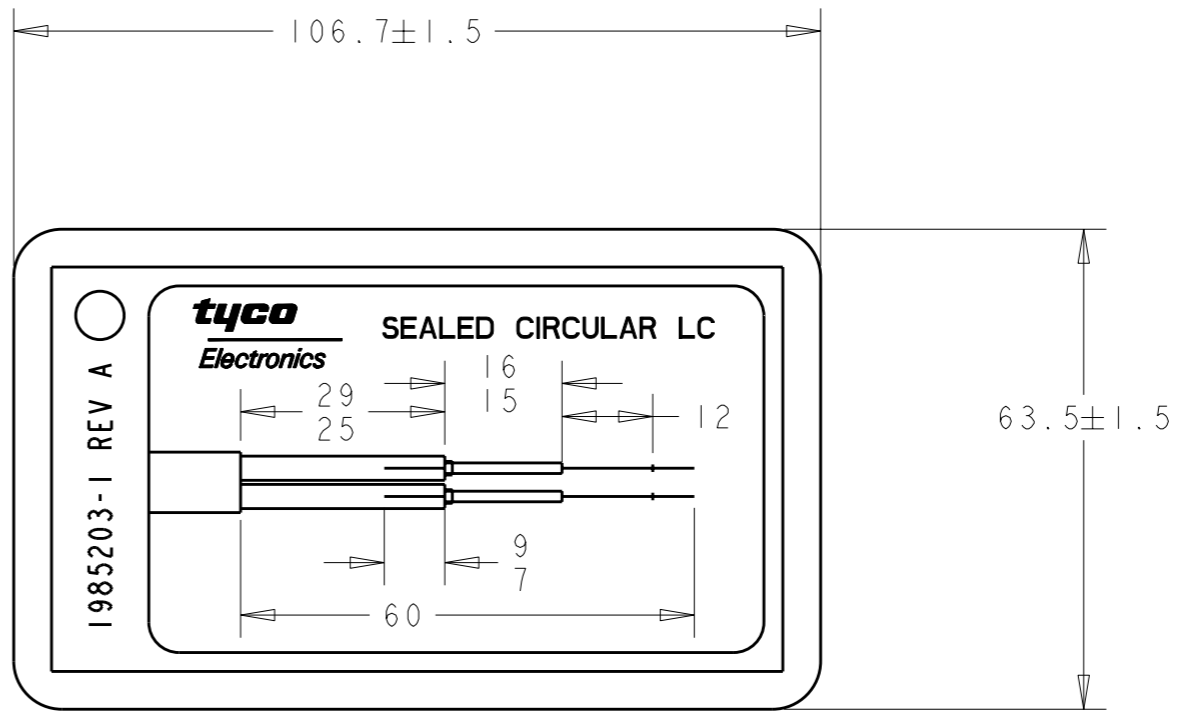


THIS DRAWING IS UNPUBLISHED. RELEASED FOR PUBLICATION 20  
 © COPYRIGHT 20 BY TYCO ELECTRONICS CORPORATION. ALL RIGHTS RESERVED.

| LOC | DIST | REVISIONS   |             |           |       |
|-----|------|-------------|-------------|-----------|-------|
| P   | LTR  | DESCRIPTION | DATE        | DWN       | APVD  |
| CE  | 00   | A           | NPR 07-0166 | 03MAY2007 | BB DK |
|     |      |             |             |           |       |
|     |      |             |             |           |       |



LIGHT BLUE PAPER LAMINATED IN HEAVY GAUGE PLASTIC.

1985203-1  
PART NUMBER

|                                                                                                                                                                                                                                   |  |                                                                                                                      |  |                                                  |  |
|-----------------------------------------------------------------------------------------------------------------------------------------------------------------------------------------------------------------------------------|--|----------------------------------------------------------------------------------------------------------------------|--|--------------------------------------------------|--|
| <small>THIS DRAWING IS A CONTROLLED DOCUMENT FOR TYCO ELECTRONICS CORPORATION<br/>         IT IS SUBJECT TO CHANGE AND THE CONTROLLING ENGINEERING ORGANIZATION<br/>         SHOULD BE CONTACTED FOR THE LATEST REVISION.</small> |  | DWN B. BRIGGS 03MAY2007<br>CHK D. KIRSCH 03MAY2007<br>APVD S. BUCHTER 03MAY2007                                      |  | Tyco Electronics<br>Harrisburg, PA 17105-3608    |  |
| DIMENSIONS:<br>mm                                                                                                                                                                                                                 |  | TOLERANCES UNLESS OTHERWISE SPECIFIED:<br>0 PLC ±-<br>1 PLC ±0.8<br>2 PLC ±0.10<br>3 PLC ±-<br>4 PLC ±-<br>ANGLES ±- |  | NAME STRIP TEMPLATE, LC, SEALED CIRCULAR DUPLEX  |  |
|                                                                                                                                                                                                                                   |  | MATERIAL - FINISH -                                                                                                  |  | PRODUCT SPEC -<br>APPLICATION SPEC -<br>WEIGHT - |  |
| CUSTOMER DRAWING                                                                                                                                                                                                                  |  | SIZE A3 CAGE CODE 00779 DRAWING NO C-1985203                                                                         |  | RESTRICTED TO -                                  |  |
| SCALE                                                                                                                                                                                                                             |  | SHEET OF                                                                                                             |  | REV A                                            |  |

单击下面可查看定价，库存，交付和生命周期等信息

[>>TE Connectivity\(泰科\)](#)